



(12) **United States Design Patent**
Bell

(10) **Patent No.:** **US D1,007,259 S**
(45) **Date of Patent:** **** Dec. 12, 2023**

(54) **COMBINE FOOD AND BEVERAGE CONTAINER**

(71) Applicant: **Lisa Renee Bell**, Oxon Hill, MD (US)

(72) Inventor: **Lisa Renee Bell**, Oxon Hill, MD (US)

(**) Term: **15 Years**

(21) Appl. No.: **29/837,451**

(22) Filed: **May 5, 2022**

(51) **LOC (14) Cl.** **07-06**

(52) **U.S. Cl.**
USPC **D7/703; D7/629**

(58) **Field of Classification Search**
USPC D7/701-708, 619.1-625, 629, 630,
D7/553.1-553.5, 550.1; D9/424-432
CPC A47G 19/06; A47G 19/08; A47G 19/065;
A47G 19/00; A47G 19/02; A47G 23/02;
A47G 23/06; B65D 1/36; B65D 43/0212;
B65D 45/20; A47J 47/14

See application file for complete search history.

(56) **References Cited**

U.S. PATENT DOCUMENTS

3,115,251 A * 12/1963 Farrell A47G 19/08
D7/619.1
5,857,583 A * 1/1999 Chantaca A47G 19/065
220/555

5,950,856 A * 9/1999 Cinque A47G 19/065
220/23.86
6,129,232 A * 10/2000 Williams A47G 23/06
220/521
D904,139 S * 12/2020 Bell D7/703
2005/0045791 A1 * 3/2005 Maniaci A47G 19/06
248/311.2
2006/0266748 A1 * 11/2006 Crawford A47G 19/065
220/23.8
2006/0283866 A1 * 12/2006 Mendenhall A47G 19/06
206/557

* cited by examiner

Primary Examiner — Terry A Wallace

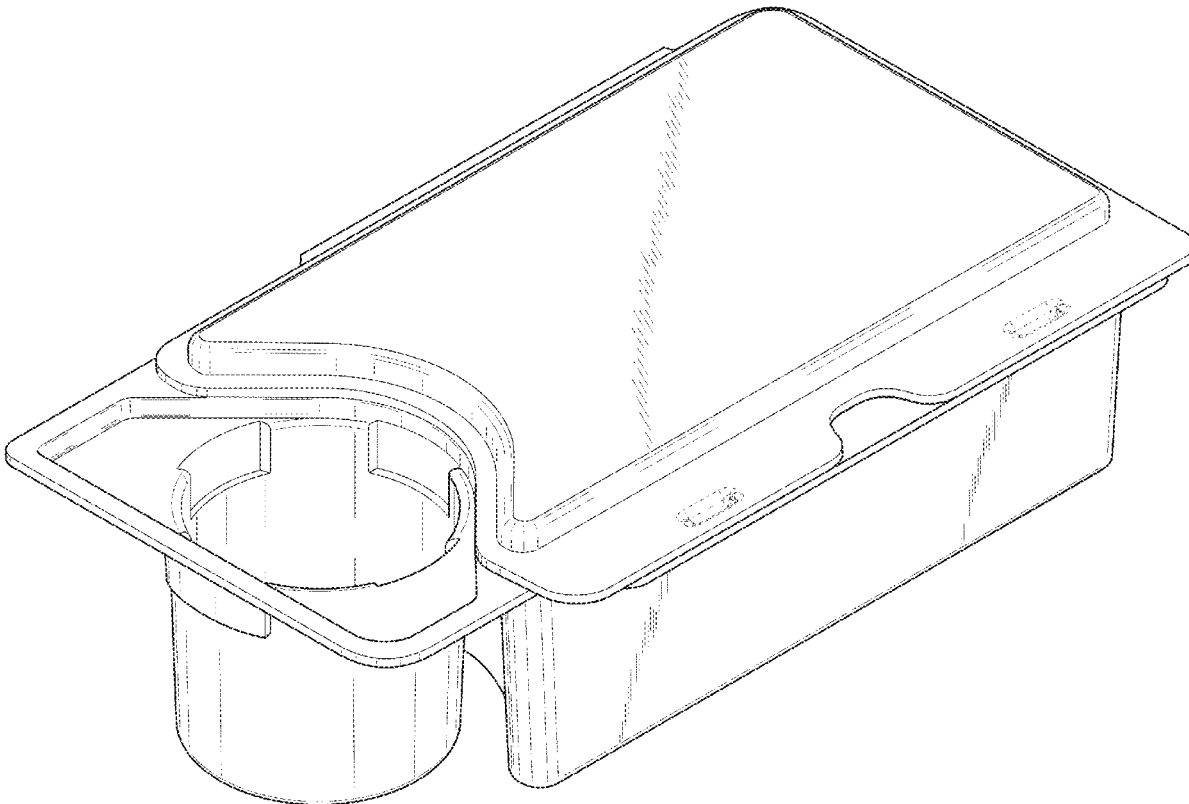
(57) **CLAIM**

The ornamental design for a combined food and beverage container, as shown and described.

DESCRIPTION

FIG. 1 is an isometric view of a combined food and beverage container, showing my design;
FIG. 2 is a top plan view thereof;
FIG. 3 is a bottom plan view thereof;
FIG. 4 is a front elevational view thereof;
FIG. 5 is a rear elevational view thereof;
FIG. 6 is a right side elevational view thereof; and,
FIG. 7 is a left side elevational view thereof.

1 Claim, 5 Drawing Sheets



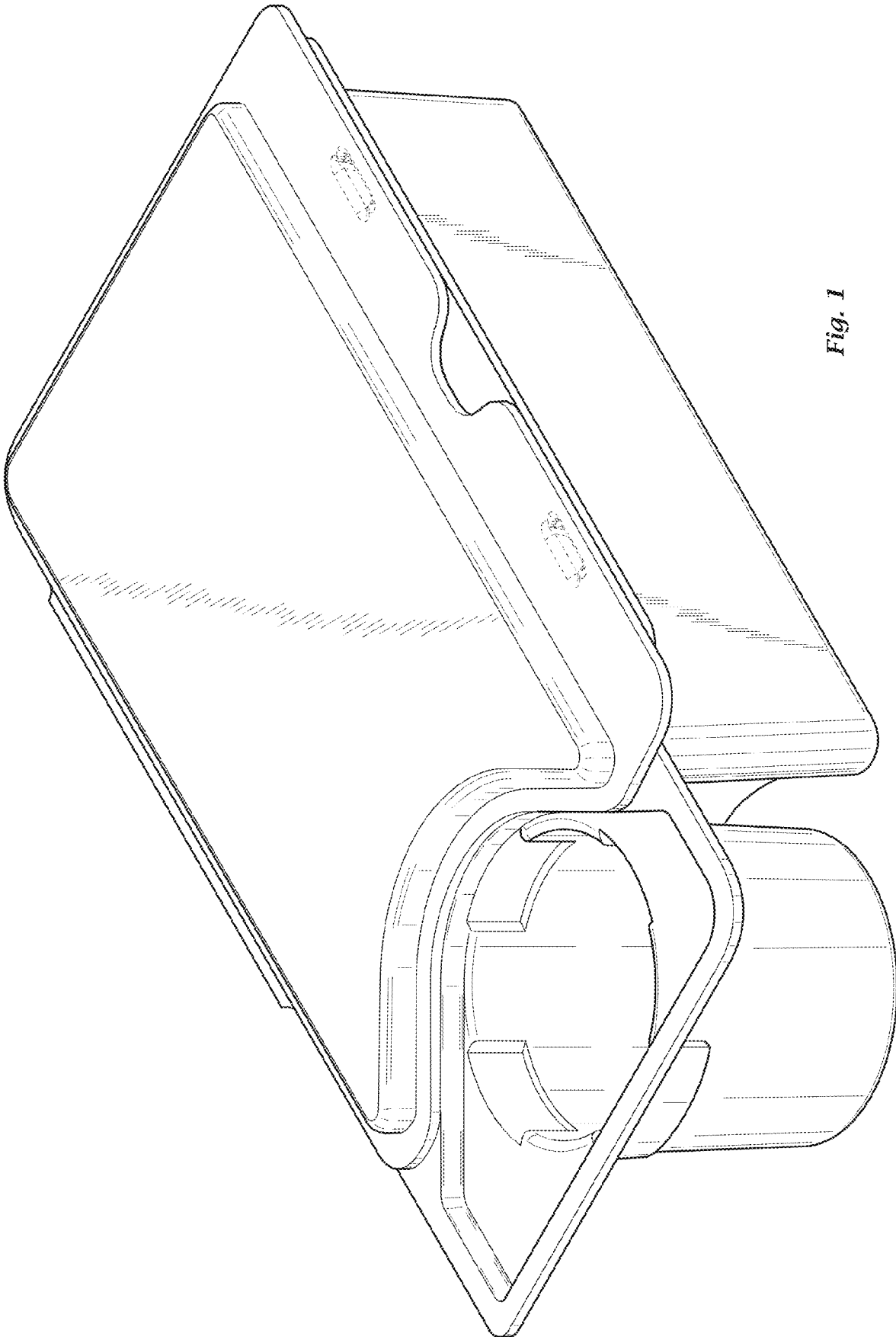


Fig. 1

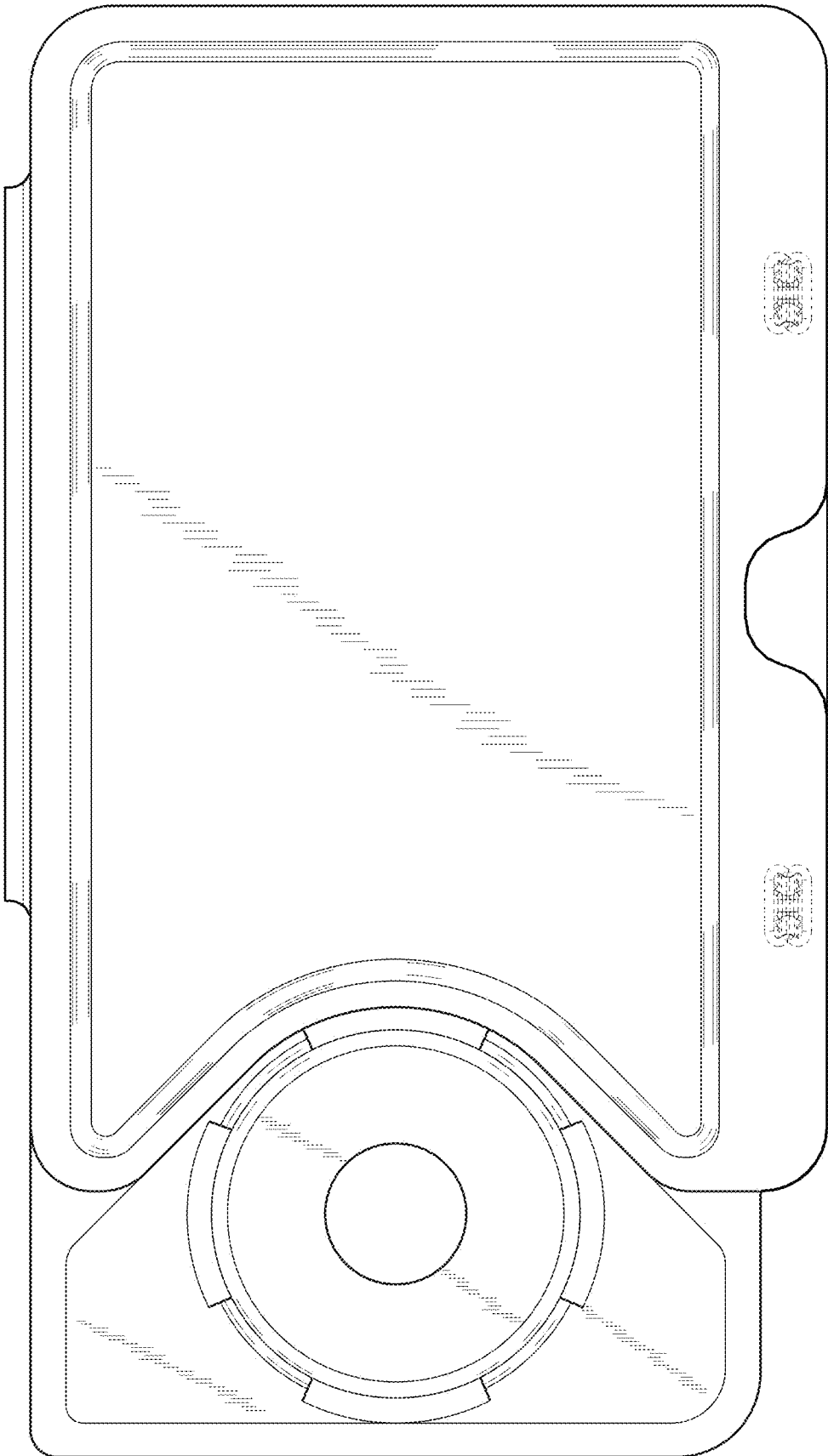


Fig. 2

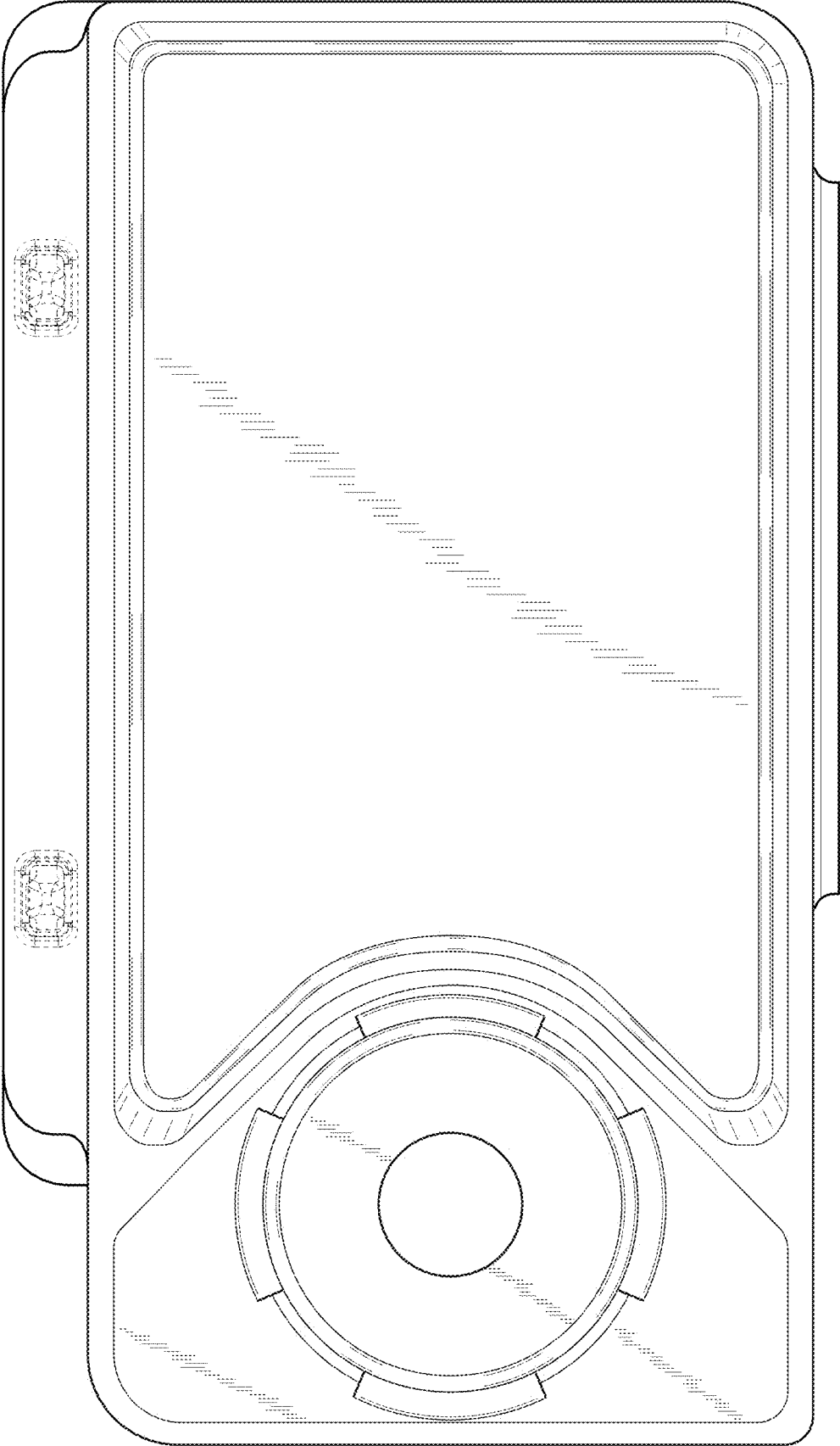


Fig. 3

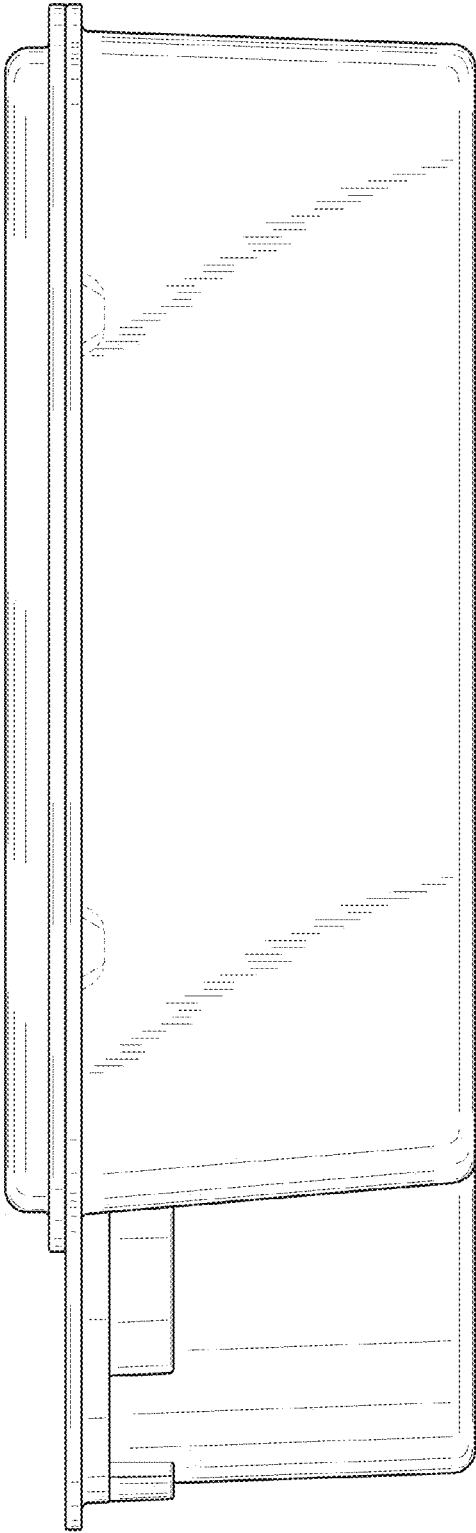


Fig. 4

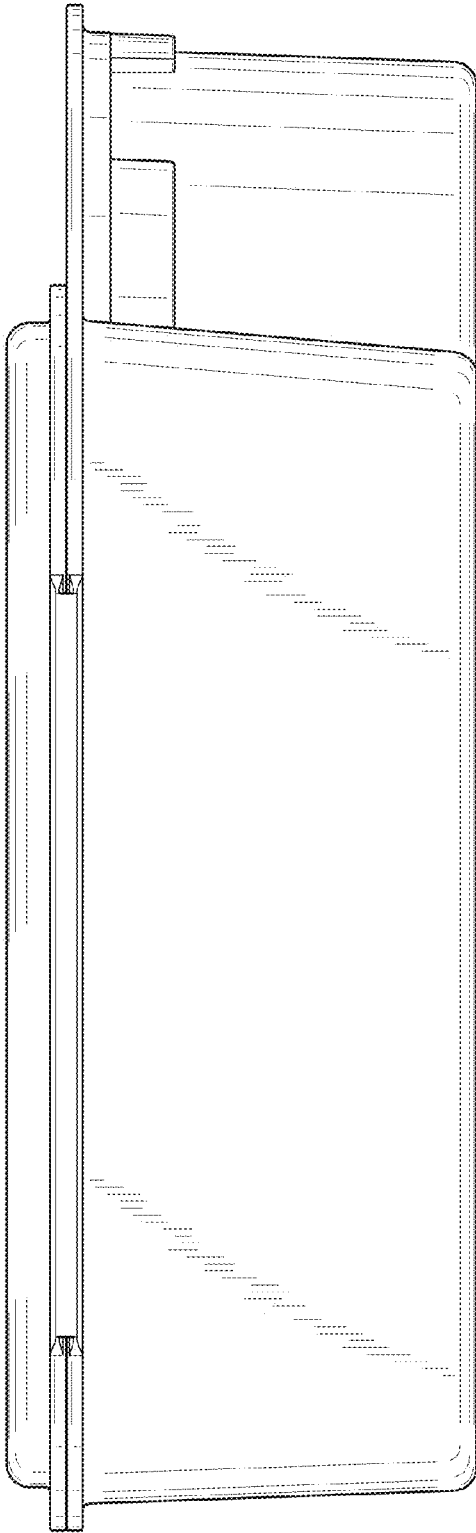


Fig. 5

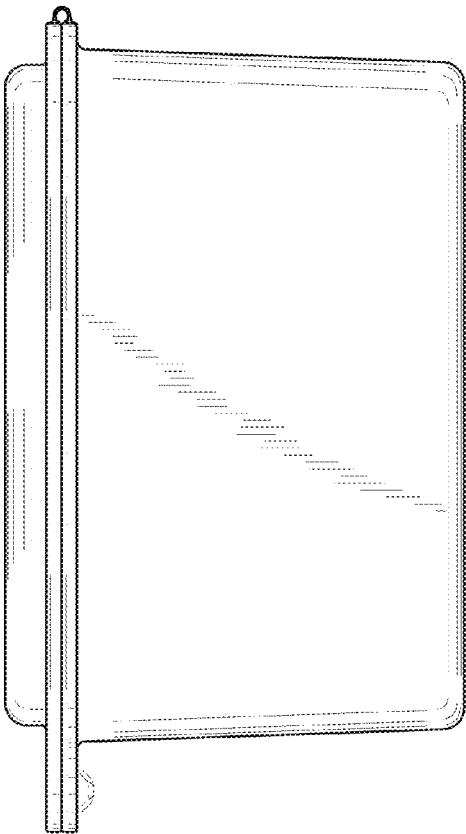


Fig. 6

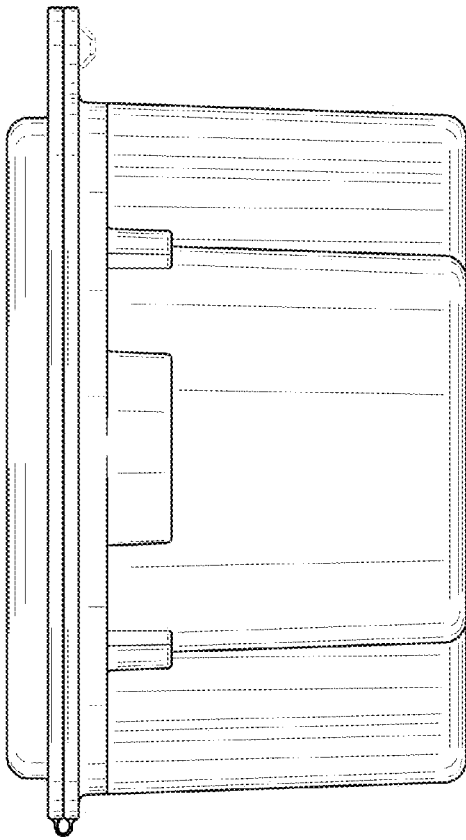


Fig. 7