



(86) Date de dépôt PCT/PCT Filing Date: 2015/09/15  
 (87) Date publication PCT/PCT Publication Date: 2016/03/31  
 (85) Entrée phase nationale/National Entry: 2017/04/06  
 (86) N° demande PCT/PCT Application No.: US 2015/050266  
 (87) N° publication PCT/PCT Publication No.: 2016/048723  
 (30) Priorités/Priorities: 2014/09/16 (US62/051,177);  
 2014/09/16 (US62/051,181); 2014/09/16 (US62/051,173)

(51) Cl.Int./Int.Cl. *G21K 1/04* (2006.01),  
*G21B 1/03* (2006.01), *H05H 6/00* (2006.01),  
*H05H 7/00* (2006.01)  
 (71) Demandeur/Applicant:  
 AGNI ENERGY, INC., US  
 (72) Inventeurs/Inventors:  
 HOPKINS, DEMITRI JOSEPH, US;  
 THOMAS, ERIC MICHAEL, US  
 (74) Agent: SMART & BIGGAR

(54) Titre : REACTEUR A CONFINEMENT INERTIEL NON LINEAIRE GIRATOIRE A ONDE D'ALFVEN  
 (54) Title: ALFVEN-WAVE GYRATING NON-LINEAR INERTIAL-CONFINEMENT REACTOR

(57) **Abrégé/Abstract:**

A fusion reactor includes an improved ability to modulate a plasma for specific purposes. The reactor operates on the ability to change at least four separate variables in each of a plurality of lenses that are independent of the other lenses. This allows for the generation of Alfvén waves and modulation of the internal plasma dynamics, actively leading to higher states of efficiency. By combining modulation of a plasma in the form of an ion beam with a solid state metal target, an efficient fast neutron source can be produced. This can lead to industrial applications such as energy generation, nuclear clean-up, the production of rare earth metals out of semi-rare ones, and helium production.



(12) INTERNATIONAL APPLICATION PUBLISHED UNDER THE PATENT COOPERATION TREATY (PCT)

(19) World Intellectual Property  
Organization  
International Bureau(43) International Publication Date  
31 March 2016 (31.03.2016)(10) International Publication Number  
**WO 2016/048723 A3**

## (51) International Patent Classification:

*G21K 1/093* (2006.01)      *G21B 1/03* (2006.01)  
*G21K 1/04* (2006.01)      *H05H 7/00* (2006.01)  
*H05H 6/00* (2006.01)

## (21) International Application Number:

PCT/US2015/050266

## (22) International Filing Date:

15 September 2015 (15.09.2015)

## (25) Filing Language:

English

## (26) Publication Language:

English

## (30) Priority Data:

62/051,173    16 September 2014 (16.09.2014)      US  
62/051,181    16 September 2014 (16.09.2014)      US  
62/051,177    16 September 2014 (16.09.2014)      US

(71) Applicant: DELTA RESEARCH LLC [US/US]; 1714  
4th Avenue E, Olympia, WA 98506 (US).(72) Inventors: HOPKINS, Demitri, Joseph; 11725 Southw-  
est 134th Terrace, Tigard, OR 97223 (US). THOMAS,  
Eric, Michael; 16295 NW Schendel Ave., Apt. J, Beaver-  
ton, OR 97006 (US).(74) Agent: STEIN, Michael, D.; Baker & Hostetler LLP, Cira  
Center, 2929 Arch Street 12th Floor, Philadelphia, PA  
19104-2891 (US).(81) Designated States (unless otherwise indicated, for every  
kind of national protection available): AE, AG, AL, AM,  
AO, AT, AU, AZ, BA, BB, BG, BH, BN, BR, BW, BY,  
BZ, CA, CH, CL, CN, CO, CR, CU, CZ, DE, DK, DM,  
DO, DZ, EC, EE, EG, ES, FI, GB, GD, GE, GH, GM, GT,

HN, HR, HU, ID, IL, IN, IR, IS, JP, KE, KG, KN, KP, KR,  
KZ, LA, LC, LK, LR, LS, LU, LY, MA, MD, ME, MG,  
MK, MN, MW, MX, MY, MZ, NA, NG, NI, NO, NZ, OM,  
PA, PE, PG, PH, PL, PT, QA, RO, RS, RU, RW, SA, SC,  
SD, SE, SG, SK, SL, SM, ST, SV, SY, TH, TJ, TM, TN,  
TR, TT, TZ, UA, UG, US, UZ, VC, VN, ZA, ZM, ZW.

(84) Designated States (unless otherwise indicated, for every  
kind of regional protection available): ARIPO (BW, GH,  
GM, KE, LR, LS, MW, MZ, NA, RW, SD, SL, ST, SZ,  
TZ, UG, ZM, ZW), Eurasian (AM, AZ, BY, KG, KZ, RU,  
TJ, TM), European (AL, AT, BE, BG, CH, CY, CZ, DE,  
DK, EE, ES, FI, FR, GB, GR, HR, HU, IE, IS, IT, LT, LU,  
LV, MC, MK, MT, NL, NO, PL, PT, RO, RS, SE, SI, SK,  
SM, TR), OAPI (BF, BJ, CF, CG, CI, CM, GA, GN, GQ,  
GW, KM, ML, MR, NE, SN, TD, TG).

## Declarations under Rule 4.17:

- as to applicant's entitlement to apply for and be granted a patent (Rule 4.17(ii))
- as to the applicant's entitlement to claim the priority of the earlier application (Rule 4.17(iii))

## Published:

- with international search report (Art. 21(3))
- before the expiration of the time limit for amending the claims and to be republished in the event of receipt of amendments (Rule 48.2(h))

(88) Date of publication of the international search report:

23 June 2016

(54) Title: ALFVÉN-WAVE GYRATING NON-LINEAR INERTIAL-CONFINEMENT REACTOR

(57) Abstract: A fusion reactor includes an improved ability to modulate a plasma for specific purposes. The reactor operates on the ability to change at least four separate variables in each of a plurality of lenses that are independent of the other lenses. This allows for the generation of Alfvén waves and modulation of the internal plasma dynamics, actively leading to higher states of efficiency. By combining modulation of a plasma in the form of an ion beam with a solid state metal target, an efficient fast neutron source can be produced. This can lead to industrial applications such as energy generation, nuclear clean-up, the production of rare earth metals out of semi-rare ones, and helium production.



WO 2016/048723 A3

## ALFVÉN-WAVE GYRATING NON-LINEAR INERTIAL-CONFINEMENT REACTOR

### CROSS REFERENCE TO RELATED APPLICATIONS

[0001] This application claims benefit under 35 U.S.C. § 119(e) to U.S. Provisional Patent Application No. 62/051,173, filed September 16, 2014, entitled “Alfvén-Wave Gyration Non-Linear Inertial-Confinement Reactor”; U.S. Provisional Patent Application No. 62/051,177, filed September 16, 2014, entitled “Electromagneto-Dynamic Variable Aperture Lens”; and U.S. Provisional Patent Application No. 62/051,181, filed September 16, 2014, entitled “Solid State Target for Fusion Purposes”. The content of each of these applications is hereby incorporated by reference in its entirety.

### TECHNICAL FIELD

[0002] The present system for fusion generally relates to the technical field of plasma physics. A background in plasma physics, magnetohydrodynamics, particle physics, ion optics, and plasma fusion devices is helpful for understanding this technology. An illustrative embodiment utilizes variable electromagnetic aperture lenses for increased feedback control and the ability to generate Alfvén waves in an active plasma to better reach confinement against a target plate. (In plasma physics, an Alfvén wave is a type of magnetohydrodynamic wave in which ions oscillate in response to a restoring force provided by an effective tension on the magnetic field lines.)

### BACKGROUND

[0003] Controlled nuclear fusion has been a goal of scientists for several decades with billions of dollars spent to develop such an energy resource. Most systems seek to ignite fusion by confining a fusile fuel either through magnetic confinement or inertial confinement. The confinement of charged particles, the presence of instabilities, and the large amount of energy required to sustain the reacting system at high temperatures all make this one of the most challenging world-wide efforts. Many different configurations have been proposed and tested, but no energy and cost efficient reactors have been realized to date.

[0004] For example, ongoing experiments put on by the National Ignition Facility (NIF), located at Lawrence Livermore National Laboratory, have attempted to achieve fusion using laser focusing, which uses rays of light to heat a target to fusion. This process does not use

an ion beam. Instead, electromagnetic radiation is aimed at a target that includes a capsule containing hydrogen gas of deuterium and tritium in pellet form. Precise timing and coordination of the laser light's incidence on the target capsule is required to prevent disruptive instabilities from forming in the fusion reaction.

[0005] Furthermore, previous work and research in this field was performed by inventors of this patent, Eric Thomas and Demitri Hopkins. This previous technology used a linear ion beam aimed at a heavy-water ice target to induce sublimation and provide the deuterium needed for fusion, with the ion beam focused by non-moving electrostatic lenses.

[0006] The state of the art also includes the use of electrostatic lenses in a field called "ion optics", where electrostatic potentials are created with electrostatic lenses to focus or broaden the spray of ions for different purposes (e.g., for use in scanning electron microscopes). It further includes magnetic coil wrappings, such as Helmholtz coils. Finally, previous art also includes the camera shutter, which is used to control the amount of light entering a camera.

## SUMMARY

[0007] A fusion reactor designed to maximize possible variables and combinations increases the ability to study and modulate a plasma for specific purposes. The reactor operates on the ability to change at least four separate variables in each of a plurality of lenses that are independent of the other lenses. This allows for waveforms and other time-based variables to be brought into the functioning, which allows for the generation of Alfvén waves and modulation of the internal plasma dynamics, actively leading to higher states of efficiency. By combining modulation of a plasma in the form of an ion beam with a solid state metal target, an efficient fast neutron source can be produced. Such a device has tested very successfully in simulation and shows promising results of break-even fusion. This in turn may lead to many industrial applications such as energy generation, nuclear clean-up, the production of rare earth metals out of semi-rare ones, and helium production.

## BRIEF DESCRIPTION OF THE DRAWINGS

[0008] **FIG. 1** is a view of a fusion reactor in accordance with an illustrative embodiment without electrical systems and with the reactor wall removed so that the reactor interior can be viewed.

[0009] **FIG. 2** is an exploded view of a variable lens illustrated in **FIG. 1**.

[0010] **FIG. 3** is a close up view of an exemplary target plate located at the end of an ion beam source and for use in a plasma apparatus for fusion purposes.

[0011] **FIG. 4** is a view of the shutter mechanism of the variable lens illustrated in **FIG. 2**.

[0012] **FIG. 5** is an image of a fully constructed lens with the vertical control nodes attached.

[0013] **FIG. 6** is a view of five of the lenses illustrated in **FIG. 5** in alignment without other parts of the reactor to better see their position in the reactor core.

[0014] **FIG. 7** is a side view of a reactor as in **FIG. 1** allowing the vertical motion of the lenses to be easily conceptualized.

[0015] **FIG. 8** is a view of the reactor without end caps and rotated to look down through the lenses, with the shutter mechanism set at one-fourth diameter. The blades can be viewed overlapping to create the shutter effect.

[0016] **FIG. 9** is a close up image looking down into the shutter at the blades. The blades can be seen overlapping, each blade approximately the shape of an arc, coming together to make an exposed circular hole at the center. The second shutter for the same lens can be seen through the hole.

[0017] **FIG. 10** is a close up image of the end of the reactor showing one lens, the vertical control rods, the lens diameter control rods, the vertical control nodes, and the target plate with hole for vacuum below it.

[0018] **FIG. 11** is an image looking down at the reactor to see the control rods, both vertical and lens diameter, where they will be attached to servomotors, as well as the center hole for an ion source and the hole for wiring the electrical components to interior reactor components.

#### DETAILED DESCRIPTION OF ILLUSTRATIVE EMBODIMENTS

[0019] **FIG. 1** depicts an overall view of the fusion reactor without electrical systems hooked up that can be used, in one exemplary embodiment, for the efficient commercial production of electricity. The fusion reactor **100** includes a plurality of ion lenses **110**, a target plate **130**, and an ion source **180**. Ions passing through the lenses **110** form an ion beam that ultimately strikes the target plate to facilitate fusion at the target plate. The reactor system relies on variable electromagneto lenses **110** and a target **130** comprising a solid metal structure to

achieve fusion. An exploded view of a variable lens 110 is shown in FIG. 2. In FIG. 2, the variable lens 110 includes a simplified placeholder for a shutter 200. Preferred or illustrative embodiments of the various structures are described below.

#### Solid State Target for Fusion Purposes

[0020] FIG. 3 illustrates a close-up of the target plate 130 located at the bottom of the reactor pictured in FIG. 1. Similarly, FIG. 10 depicts a close up image of the end of the reactor showing one lens 110, the vertical control rods 150, the lens diameter control rods 170, the vertical control nodes 160, and the target plate 130 with a hole for vacuum below it. The target plate 130 is a new concept model in fusion and plasma physics that is designed to optimize confinement of a plasma against the solid target in order to increase the amount of fusion reactions. In general, the target plate is situated as the end of an ion beam's path and is where the plasma strikes to maximize fusion reactions. In one embodiment, the target plate is arranged near the reactor target plate end 140b opposite the ion source 180. Ions entering the reactor can be formed into a beam by electrostatic lenses, hollow cathodes, cyclotrons, and other means for ionizing gases into an ion beam. The ion beam can be arranged in either a linear or non-linear flow with a path that ends when the beam strikes the target plate. The target plate can also sustain a charge and thus direct the flow of ions towards, around, or against it. In one embodiment, holes for a vacuum connection are arranged below the target plate. In this way, a vacuum can be pumped on the whole apparatus.

[0021] The materials available to be used in the target plate for optimal fusion include a deuterium or tritium containing solid material like lithium deuteride, lithium borodeuteride, lithium tritide, lithium borotritide, palladium enriched with deuterium or tritium. These examples should not be construed as limiting, as other materials could be used to enhance different kinds of fusion in order to generate different kinds of energy expression. However, for the purposes of generating the most energy output to input in the reactor, hydrogen containing solids as a class are preferred. The entire class of hydrogen containing solids would work to varying degrees. The target plate can currently be manufactured by machine shopping, laser cutting, or 3D printing the desired material into the target plate. Furthermore, the plate can be constantly refreshed by moving in more material to be the target. In this way the reactor can be replenished with fuel in order to consistently produce electricity or provide a source of fast neutrons. Applying this

technology, including a solid state metal target for fusion purposes, could increase the efficiency of fusion massively in comparison to other known techniques.

#### Electromagneto-Dynamic Variable Aperture Lens

[0022] An electromagneto-dynamic variable aperture lenses (a ‘variable lens’ and collectively the ‘variable lenses’) in accordance with the present invention applies four separate variables within one lens to control ion optics. This allows an advanced specificity of control over the ion beam flow and feedback controls. The lens, as described herein, is to be applied in place of typical non-variable electrostatic lenses to increase specificity and control over ion optics and the path of ion beams. The four variables are as follows: (1) diameter of the electrostatic lens; (2) vertical position of the electrostatic lens; (3) strength of the electrostatic field; and (4) strength of the magnetic field. By adjusting these variables, minute aspects of the particle beam can be controlled with great specificity. They further allow for more specific feedback control over standard lenses that change only the strength of the electrostatic field and/or the strength of the magnetic field. An enhanced degree of control is achieved by being able to modulate the variable lenses’ radial diameter and vertical position as well as the strength of electrostatic field and strength of magnetic field.

[0023] FIG. 2 is an illustration of an embodiment of a variable lens **110** with a simplified placeholder for a shutter **200**. FIG. 4 is an illustration of the shutter and its components in more detail. The lens **110** has two end caps **220** constructed from material electricity cannot arc to (e.g., anti-static plastic), which hold the whole lens together and prevent arcing between separate lenses. Inside the end caps there are two electrostatic lens shutters **200**. The shutters are similar to a camera shutter but are further able to have an electrostatic charge applied to them. They have a similar lensing effect on ions passing through the shutter as a camera shutter does on passing photons. The shutters are further composed of a series of metal blades **420** that voltage can be applied to. The metal blades are controlled by a set of shutter control pins **430** situated within the shutter housing **440**. More specifically, a variable charge can be applied to the shutters by connecting a pin on each of the shutters to a variable voltage source. Shutter adjustment is achieved by rotating a gear operatively connected to the pins and that is rotated by a lens diameter control rod **170**. As the pins are moved by the gear, the blades **420** rotate, causing the diameter of the center hole to change. As illustrated in FIG. 9, the blades overlap, with each blade approximately the shape of an arc, and come together to make an

exposed circular hole at the center of the shutter. Both shutter components **200** are put in synchrony to maintain the integrity of the electrostatic lens. The shutter diameter is capable of ranging from all the way open (matching the diameter of the static component **210**) to all the way closed and blocking the flow of ions.

[0024] A magnetic lens tract **230** connects directly to the lens caps **220** and holds within it the shutters **200** and a static component of the electrostatic lens **210**. Magnet wire, such as enamel coated wire, is repeatedly wrapped around a groove in the magnetic lens tract **230**. A magnetic field is generated by applying a voltage to the wrapped wires. By varying the voltage applied to the wrapped magnet wire, the magnitude of the magnetic field strength can be controlled. Within the magnetic lens tract **230** and closer to the radial center is the static component of the electrostatic lens **210**. The static component **210** is also connected to a variable voltage source. The static component **210** determines the outermost possible diameter of the electrostatic lens as a single field and normalizes the electric field lines between the two shutter components of the lens. Although the shutters **200**, magnetic lens tract **230**, and static component **210** can all be configured to have variable charge, in one embodiment they remain in synchrony with each other to properly control the electrostatic lens.

[0025] FIG. 5 illustrates a variable lens **110** with control nodes **160** attached, and with general similar features to FIG. 2. In one embodiment, a variable lens can be vertically adjusted using a servomotor operatively connected to a vertical control rod **150**. The control rod is threaded through a vertical control node **160** attached to the variable lens to be vertically adjusted. When the servomotor turns the control rod, the control rotates and causes the variable lens to move up or down along the control rod **150** as a result of the threaded connection. Multiple control rods and corresponding vertical control nodes may be utilized for each vertical lens. In this way the vertical position of a variable lens may be controlled. With this structure, each lens provides four independently controllable variables and, and each lens can be independently controlled.

[0026] FIG. 6 is a view of five of the lenses **110** illustrated in FIG. 5 in alignment without other parts of the reactor to better see their position in the reactor core. FIGS. 7-8 illustrate two views of the reactor as in FIG. 1 in embodiment comprising five lenses. The vertical motion of the lenses **110** can be easily conceptualized. FIG. 8 is a view of the reactor without end caps and rotated to look down through the lenses, with the shutter mechanism set at



one fourth diameter. The blades can be viewed overlapping to create the shutter effect. Further illustrated in FIG. 8 is a reactor shield **120** for containing the reaction and within which are the reactor components.

[0027] A variable lens as described herein may be installed after build into an electron microscope or into a fusion reactor. Components of the variable lens could be made by machine shopping, 3D printing, laser cutting, or some combination thereof. Once a lens is constructed, it can be installed by affixing it into its location based on the machinery it is being added to. Such variable lenses could further be used in a range of electron optics work for more controlled and targeted electron and ion beams. In any application of an electrostatic or magnetic lens this application could be used to increase the degree of specificity of the beam. Stacked in progression this technology could be employed as part of a plasma apparatus to study the time dependent variables of plasma and feedback control systems. Stacked in progression this technology could be used as part of a plasma apparatus for sustainable nuclear fusion of many types.

#### Fusion Reactor

[0028] A consistent challenge to achieving controlled fusion reactions is the formation of instabilities in the highly complex system that forms internal to plasmas. Without multi-variable channels to combat these instabilities, they end up growing into insurmountable problems that end halt the entire reaction. For example, the NIF model would ideally compress the deuterium-tritium fuel in a perfectly spherically symmetrical implosion. However, even minute turbulences can cause instability in the symmetry of the implosion, ultimately lowering the heating of the fuel, reducing maximum compression, and greatly diminishing fusion efficiency. With only one or two modulatable variables, the complex instabilities cannot be targeted in an efficient manner. Because the plasma is entirely confined the instabilities have a natural tendency to grow. An additional problem is that ions must have an enormous amount of magnetic force applied to them to confine the plasma to a great enough degree to achieve fusion. Current models require magnetic fields on the order of 40,000 times stronger than the earth's magnetic field. The reactor described herein utilizes a large number of variables that can be modulated to control the plasma and respond to instabilities actively leading to increased efficiency. This technology also employs a target plate that significantly reduces the necessary

energy for confinement, allowing the reactor to be successfully operated at much lower energies per reaction.

[0029] A reactor designed to maximize possible variables and combinations increases the ability to study and modulate a plasma for specific purposes. It has tested very successfully in simulation and shows promising results of break-even fusion. It operates on the ability to change four separate variables in each of a plurality of lenses that are independent of the other lenses. This allows for waveforms and other time based variables to be brought into the functioning, which allows for such things as the generation of Alfvén waves and modulation of the internal plasma dynamics actively leading to higher states of efficiency. This in turn may lead to many industrial applications such as energy generation, nuclear clean-up, the production of rare earth metals out of semi-rare ones, and helium production.

[0030] A reactor in accordance with the present invention is designed to optimize the potential range in which the reactor can be operated. FIG. 1 depicts an overall view of the fusion reactor without electrical systems hooked up that can be used, in one exemplary embodiment, for the efficient commercial production of electricity. The fusion reactor **100** includes a plurality of ion lenses **110**, a target plate **130**, and an ion source **180**. Ions passing through the lenses **110** form an ion beam that ultimately strikes the target plate **130** to facilitate fusion at the target plate.

[0031] The ion beam can be controlled by the plurality of ion lenses **110** which have four variables that can be independently modulated as described above. The four variables for each lens include the: (1) diameter of electrostatic lens; (2) vertical position of electrostatic lens; (3) strength of electrostatic field; and (4) strength of magnetic field. With this structure, each lens provides four independently controlled variables and, and each lens can be independently controlled.

[0032] The reactor **100** includes end pieces **140A** and **140B** as well reactor wall **120**. FIG. 11 is an image looking down at the reactor to see the vertical control rods **150** and the lens diameter control rods **170**, where they will be attached to servomotors (not pictured), as well as the center hole for an ion source **180** and the hole **195** for wiring the electrical components to interior reactor components. These components are made out of material electricity cannot arc to (e.g., anti-static plastic) to prevent arcing of the plasma. They are further sealed together in order to hold a vacuum on the entire device to best operate the plasma. A hole in the reactor ion source end piece **140A** is where ions enter the reactor from the ion source **180**. In one embodiment the

ion source **180** is a hollow cathode, however the ion source can be interchangeable without further modifications needing to be made to the reactor design. Wire is threaded through another hole **195** in the end piece **140A** to connect a high voltage supply to the lenses **110** in order to apply an electrostatic and magnetic force, accounting for two of the four variables per lens that are actively modulatable.

[0033] The vertical control nodes **160** and vertical control rods **150** are also constructed with material electricity cannot arc to (e.g., anti-static plastic). Outside of the reactor interior, and not pictured in FIG. 1, a high precision and fast motor (e.g., a servomotor) is operatively connected to each control rod **150** and is capable of rotating each control rod. All of the control rods **150** are threaded, but only one of the control nodes **160** for each of the five lenses is threaded, at a different radial position for each lens. In this manner, applying electricity to a motor spins the connected control rod **150**, which in turn raises or lowers the lens in its represented vertical position—giving one of the four actively modulatable variables per lens. Thus each lens of the reactor can be moved both up and down vertically while the reactor is running, and independently of the other lenses. The vertical movement is relative to an axis defined by the general path of the ion beam.

[0034] Also pictured are the lens diameter control rods **170**. These rods are likewise constructed with material that electricity cannot arc to. As described above, each lens diameter control rod **170** is operatively connected to a gear which moves the pins **430** (illustrated in Fig. 4) to control the diameter of the electrostatic lens at the shutter. The shutter diameter is capable of ranging from all the way open (matching the diameter of the static component **210**) to all the way closed and blocking the flow of ions. This provides the fourth variable per lens, with each lens being able to be operated independently of the others.

[0035] The target plate **130** is located near the reactor target plate end **140B** at the end of the reactor. Ions are accelerated through the lenses **110** from the ion source **180** and gain momentum and inertial confinement until finally striking the target plate—maximizing confinement density. In one embodiment, the ions follow a spiral path through the reactor **100** before striking the target. Thus the ion beam may be either linear or non-linear. A wide range of materials can be incorporated in the solid metal target plate for different types of fusion, with denser materials being more optimal. The target material can be chosen based on what kind of fusion needs to be initiated. In a preferred embodiment, a vacuum is connected through holes in

the reactor target plate end **140B** placed below the target plate. The vacuum lowers the pressure in the reactor and normalizes the content of the reactor's internal gas. In further embodiments, the vacuum may be connected at another reactor surface, such as the reactor wall **120**. Like the ion source, the vacuum connection can be changed without affecting the overall function or operability of the reactor.

**[0036]** In one illustrative embodiment described herein, the reactor comprises a five lens design. In the five lens design, the reactor may have up to twenty five active variables that may be actively modulated while the reactor is being run. First, the five lenses provide for twenty separately controllable variables for modulating the plasma using the lenses (based on four individually modulatable variables per lens). This leads to a far advanced range of operable conditions in which the reactor can be run. Four further variables include: the charge placed on the two individual pieces of the hollow cathode ion source **180**, where deuterium (or tritium) is pumped in; the rate at which deuterium (or tritium, or other elements excited to gaseous state) is pumped in; and the vacuum pulled on the reactor, which pulls the post process gas out of the reactor. A final variable is the voltage placed on the target plate to attract the ions to strike the target.

**[0037]** In between runs different materials can be substituted to be fused, providing another variable that is not able to be modulated during the active process (hereby called a static variable). Some examples of target materials include lithium deuteride (or tritide), lithium borodeuteride (or borotritide), and deuterium (or tritium) enriched palladium. These are all materials which contain high levels of deuterium (or tritium) for the fusion process. Other materials could be utilized for different kinds of fusion, and would be functional in this reactor design so long as they followed the solid target design.

**[0038]** In such a configuration, there are a total of twenty five active variables that can modulate the plasma state, as well as the single static variable of the material the plasma strikes (the target plate). By changing the solid target plate material, the function of the reactor may be changed as different target plates may be optimal for different kinds of fusion, and the removal of the target plate could be used to form a fusion ion thruster.

**[0039]** Each of the active variables can be independently set to a stationary mode to explore different modes of functionality. In one embodiment, the active variables can also be in motion throughout the process in patterned, random, or semi-random motion. In another

embodiment, the reactor could be run with a preset motion that can be actively changed by a feedback control system to monitor and change the plasma for instabilities that form. This also allows for changes in variables for start-up and shut-down procedures that could optimize time needed for start-up and shut-down. Having all of these variables in states of change while the reactor is running could be used to optimize the plasma for different functional roles and to explore non-static electromagnetic fields on an active plasma.

**[0040]** A fusion reactor as described herein could be used in a wide array of applications that can utilize an efficient fast neutron source. Such applications might include, for example: energy generation, flight, space travel, and transmutation. This technology allows for significantly more modulation and can allow for many more possible expressions of plasmas through the device. Waveforms of vertical and diameter motion in tandem with offset waveforms of magnetic and electrostatic strength in the focusing lenses have shown major success in simulation exceeding the  $Q=1$  expression in plasma physics referring to equal energy input to output. In fact, it has shown such success in simulation it has exceeded this  $Q=1$  limit by over 4-fold with simulated energy input below 100 kilowatt levels. As far as the applicants are aware, this level of efficiency in a fast neutron source has never been achieved and has not been modeled on simulators before this design.

**[0041]** As such, this device can provide an efficient fast neutron source through the process of nuclear fusion with applications into the public and private sector. Perhaps the most noteworthy application in the private sector is energy production, as it is the first break-even model of fusion reactor designed that overcomes instabilities. The reactor described herein could be used for cheaper cost-to-production energy generation in a sustainable manner. In one embodiment the reactor could be set up as a full power generating station much like a fission power plant. It would continuously take in hydrogen as fusile material and the resulting energy, in the form of high energy neutrons, could be used to produce electricity. For example, the high energy neutrons from the fusion process could be used to create steam (or another heat conducting fluid) in order to run a conventional electricity-generating turbine.

**[0042]** In another embodiment, the fusion reactions could be utilized as a fast neutron source for the purposes of transmutation of heavy elements such as tantalum and niobium into gold, platinum, palladium and rhodium. A medium scale reactor could be built to cycle elements through it (e.g., tantalum) and react them through fast neutron bombardment into more desirable

elements (e.g., platinum). This process could be used to sell heavy metals that have a higher market capital due to rarity than the pre-process material. Another application of transmutation with this technology is the conversion of radioactive waste into lighter stable elements for radioactive waste elimination. By placing the radioactive waste in close proximity to the fast neutron flux, the radioactive waste would be forced to undergo alpha decay into lighter more stable elements for radioactive waste elimination. A facility could be constructed around this technology to eliminate radioactive waste at spill sites across the world.

[0043] Helium is a byproduct of hydrogen fusion. As helium supplies dwindle, this reactor could be set up to recapture helium after the hydrogen fusion. Such a recapture configuration could be viable on its own or could be utilized in conjunction with other purposes. The helium could be sold as a product, potentially creating a new sustainable supply of helium.

[0044] In another embodiment, the fusion reactor could be utilized as a fast neutron source to be used in a combined fusion-fission reactor. For example, Thorium is a fissile material that is much more abundant on Earth as compared to Uranium or other traditional fissile materials. Moreover, thorium has various physical and nuclear properties that are superior to Uranium, is more resistant to nuclear weapons proliferation, and reduces plutonium and actinide production. It further does not require extensive enrichment processes and is not capable of sustaining a nuclear chain reaction (unlike Uranium). Because it does not chain react, the Thorium cycle requires another neutron source in order to initiate the fuel cycle. The fusion reactor described herein could provide a neutron source—even if not running at full break-even—to facilitate the thorium fuel cycle and provide a clean source of energy production without the possibility of meltdown.

[0045] In yet another embodiment, the reactor could be made into a fusion ion thruster for more efficient space travel that solves the thrust gained to weight needed to bring up issue that currently makes space flight very expensive. The fusion would generate large amounts of energy in the form of ions that are then propelled out the back of the thruster at much higher speeds than typical fuel thrusters, allowing for significantly less fuel consumption per distance of thrust and much higher maximum speeds. In yet another embodiment, the ion thruster configuration could be modified again, still using this core model and only adding external components, into a jet engine that could maintain a much more fuel efficient model of plane.

### Conclusion

[0046] Different examples of the apparatuses and methods disclosed herein include a variety of components, features, and functionalities. It should be understood that the various examples of the apparatuses and methods disclosed herein may include any of the components, features, and functionalities of any of the other examples of the apparatuses and methods disclosed herein in any combination, and all of such possibilities are intended to be within the spirit and scope of the present disclosure. Many modifications of examples set forth herein will come to mind to one skilled in the art to which the present disclosure pertains having the benefit of the teachings presented in the foregoing descriptions and the associated drawings. Therefore, it is to be understood that the present disclosure is not to be limited to the specific examples presented and that modifications and other examples are intended to be included within the scope of the appended claims. Moreover, although the foregoing description and the associated drawings describe examples of the present disclosure in the context of certain illustrative combinations of elements and/or functions, it should be appreciated that different combinations of elements and/or functions may be provided by alternative implementations without departing from the scope of the appended claims.

We claim:

1. A variable aperture lens for controlling an ion flow comprising:
  - an aperture having a variable diameter and wherein ions in the ion flow can pass through the lens only through the aperture;
  - a magnetic lens tract coupled to a first variable voltage and configured to generate a magnetic field;
  - a static component having a diameter defining the maximum diameter of the aperture;and
  - at least one lens shutter coupled to a second variable voltage and configured to adjust the diameter of the lens, wherein the one or more shutters are configured to adjust the aperture diameter, and wherein the aperture diameter can be continuously adjusted between the maximum diameter and a fully closed position in which no ions can pass through the lens.
2. The variable aperture lens of claim 1, further comprising a means of adjusting the vertical height of the lens along an axis defined by the path of the ion flow.
3. The variable aperture lens of claim 2, further comprising exterior connective nodes, and wherein the means of adjusting the vertical height of the lens comprises operatively connecting the nodes to a vertical control rod.
4. The variable aperture lens of claim 1, wherein the static component is coupled to a third variable voltage and normalizes the electric field lines between a first shutter and a second shutter of the lens.
5. The variable aperture lens of claim 1, wherein each lens shutter further comprises:
  - a plurality of rotatable blades configured to synchronously rotate to change the diameter of the aperture;
  - a fourth variable voltage applied to the blades to control an electrostatic field strength.
6. The variable aperture lens of claim 1, wherein the lens comprises a first and second lens shutter, and wherein a first variable voltage source connected to the first shutter and a second



variable voltage source connected to the second shutter are synchronized to generate a desired electrostatic field.

7. The variable aperture lens of claim 1, wherein the magnetic lens tract further comprises a grooved surface, wherein magnetic wire is wrapped around the magnetic lens tract in the groove, and wherein the looped magnetic wire is coupled to the first variable voltage such that a variable magnetic field may be generated within the lens.

8. An apparatus comprising a solid state target for optimizing confinement of a plasma against the target in order to increase an amount of fusion reactions.

9. The apparatus in claim 8, wherein the solid state target is formed of a hydrogen-containing solid.

10. The apparatus of claim 9, wherein the solid state target is formed of deuterium or tritium containing solid materials, such as lithium deuteride, lithium borodeuteride, or lithium borotritide.

11. The apparatus of claim 8, wherein a voltage is applied to the target to attract ions in the plasma.

12. A modulatable fusion reactor comprising:  
an ion source for producing an ion flow to the reactor;  
a plurality of lenses wherein each lens has a plurality of variables that can be modulated to control an ion flow;  
a target plate wherein the ion flow strikes the target plate to produce a fusion reaction;  
and  
a reactor wall and a first and second end piece, wherein the first and second end pieces are connected to the reactor wall to enclose a reaction chamber, wherein the variable lenses and target plate are situated within the reaction chamber, wherein ions from the ion source enter the

reaction chamber through either the first or second end piece, and wherein the reactor wall and end pieces are connected such that a vacuum can be held within the reaction chamber.

13. The reactor of claim 12, wherein one of the modulatable variables for each of the plurality of lenses is the vertical height of the lens relative to an axis generally normal to and spanning between the first and second end pieces.

14. The reactor of claim 13, further comprising a means for adjusting the vertical height of a lens.

15. The reactor of claim 13, further comprising a plurality of vertical control rods, wherein each vertical control rod of the plurality is operatively connected to one of the plurality of lenses to move that lens vertically.

16. The reactor of claim 12, wherein at least five independent lenses comprise the plurality of lenses.

17. The reactor of claim 12, wherein each lens of the plurality of lenses comprises the lens of claim 1.

18. The reactor of claim 12, wherein the target plate comprises the apparatus of claim 8.

19. The reactor of claim 12, wherein at least five independent lenses comprise the plurality of lenses, wherein each lens of the at least five lenses comprises the lens of claim 1, wherein the target plate comprises the apparatus of claim 8, and wherein the ion flow flows through the aperture of all five lenses and is controlled by modulating at least one of the plurality of variables of at least one lens.

20. The reactor of claim 12, wherein the reactor wall and end pieces are composed of a plastic or other material to reduce or prevent electrical arcing.

21. A method for controlling an ion beam using a variable aperture lens, the method comprising:

- adjusting the vertical position of the lens along an axis defined by the ion beam;
- adjusting the diameter of the aperture of the lens, wherein ions in the ion beam can only pass through the lens through the aperture;
- generating an electric field throughout the lens;
- generating a magnetic field throughout the lens; and

wherein each of adjusting the vertical position, adjusting the diameter, generating an electric field, and generating a magnetic field can be independently modulated.

22. A method for creating high energy neutrons using a fusion reactor with feedback control systems to independently control a plurality of variables and create Alfvén waves, the method comprising:

- directing an ion flow into the reactor;
- adjusting a plurality of variable lenses, wherein the ion flow is directed through the lenses, wherein each lens has a plurality of independently modulatable variables, and wherein the plurality of independently modulatable variables includes at least:
  - the vertical position of the lens within the reactor;
  - the diameter of the aperture of the lens;
  - the electric field within the lens;
  - the magnetic field within the lens; and

positioning a solid state target plate to react with the ion flow to create fusion reactions.

23. The method of claim 22, further comprising attaching a vacuum source to the reactor to increase the efficiency of fusion reactions and remove waste materials from the reactor.

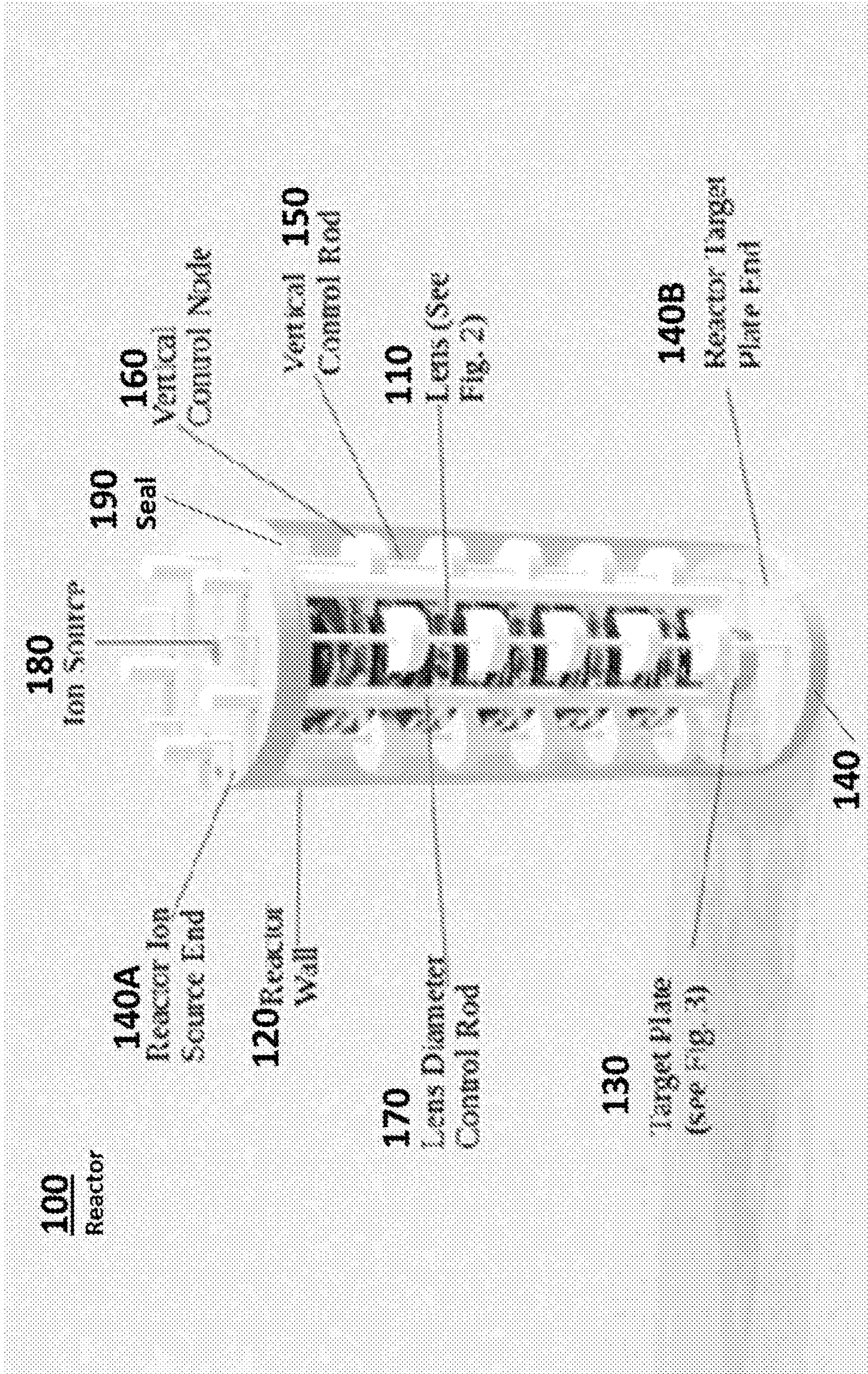


FIG. 1

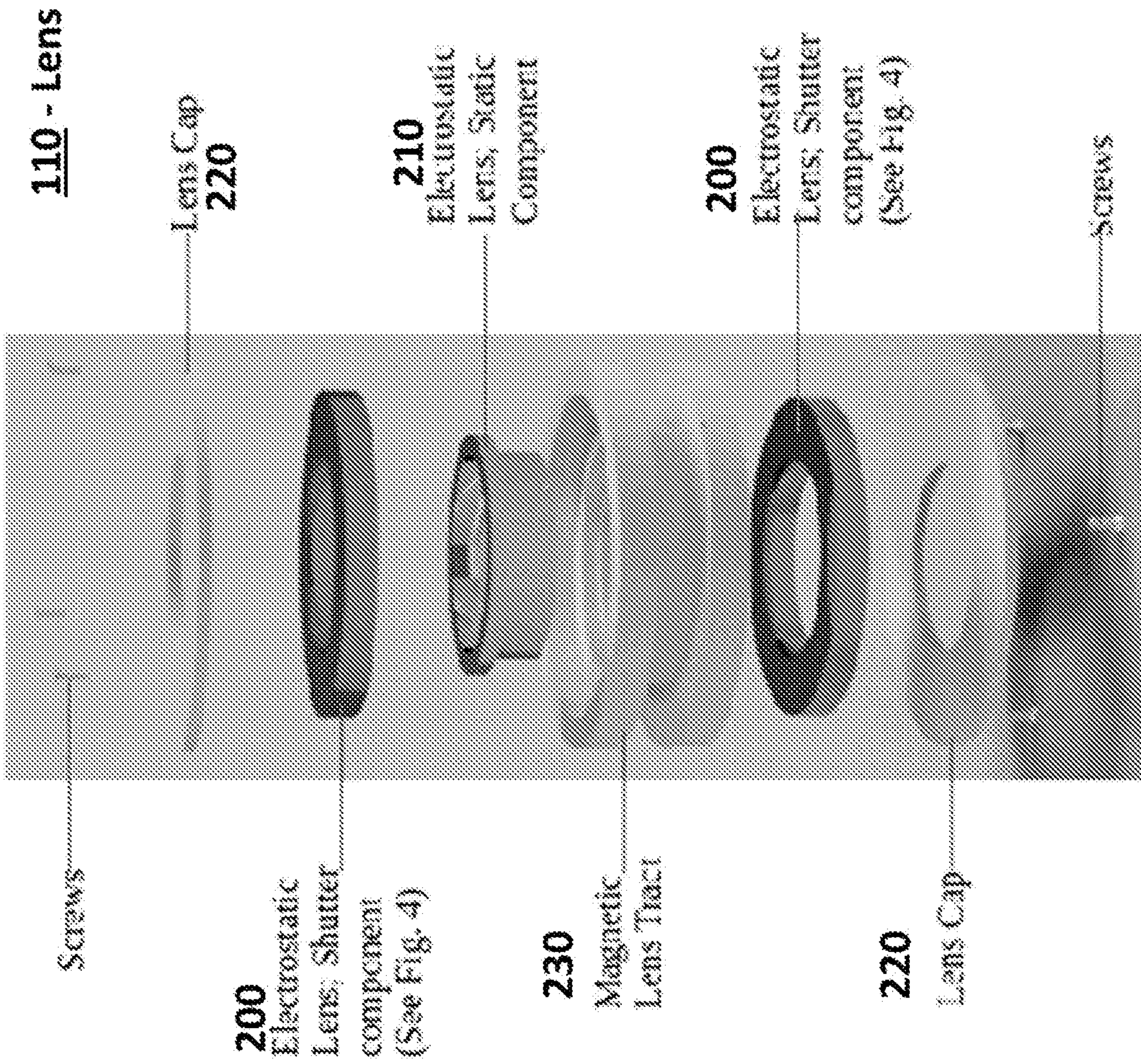


FIG. 2

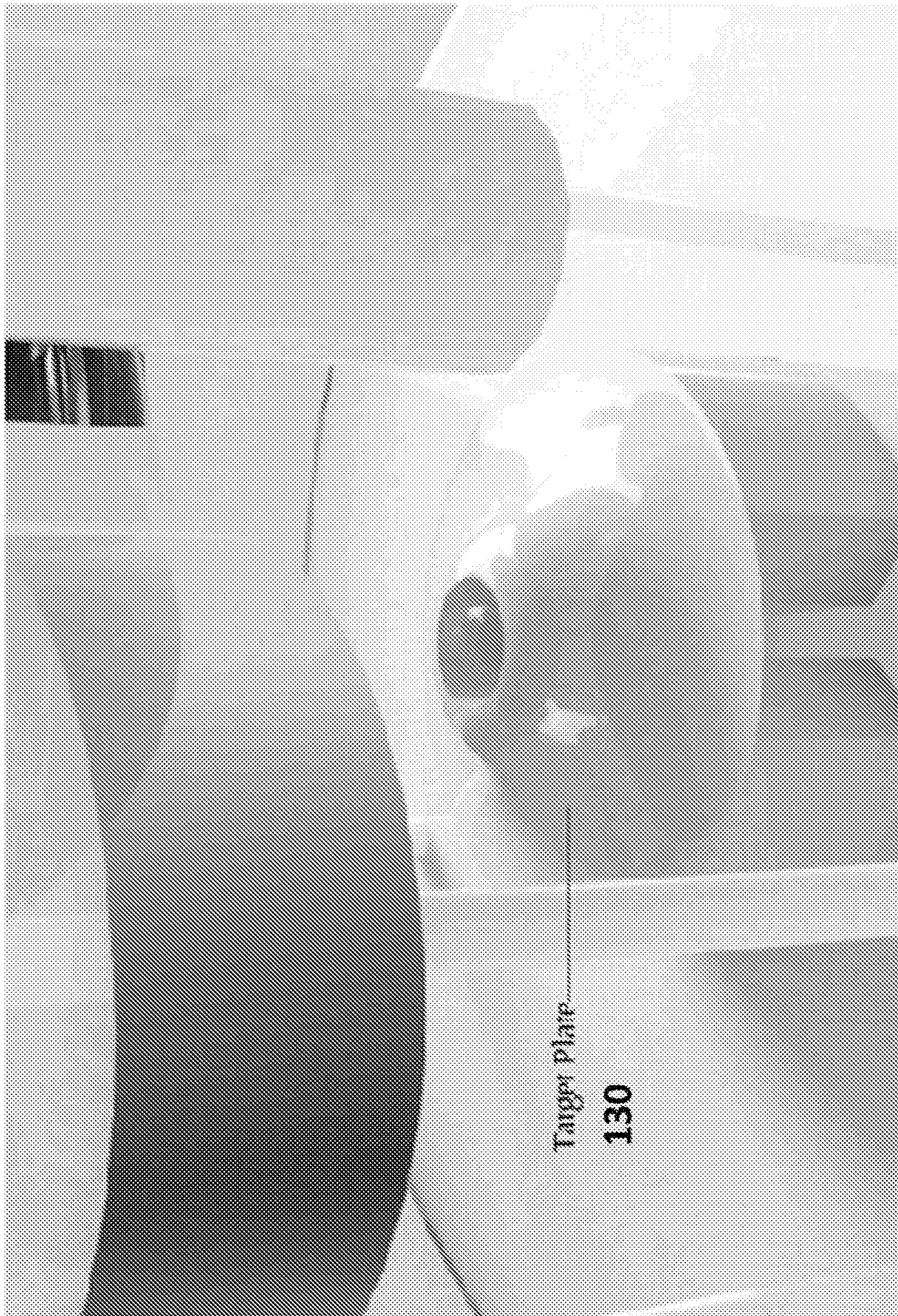


FIG. 3

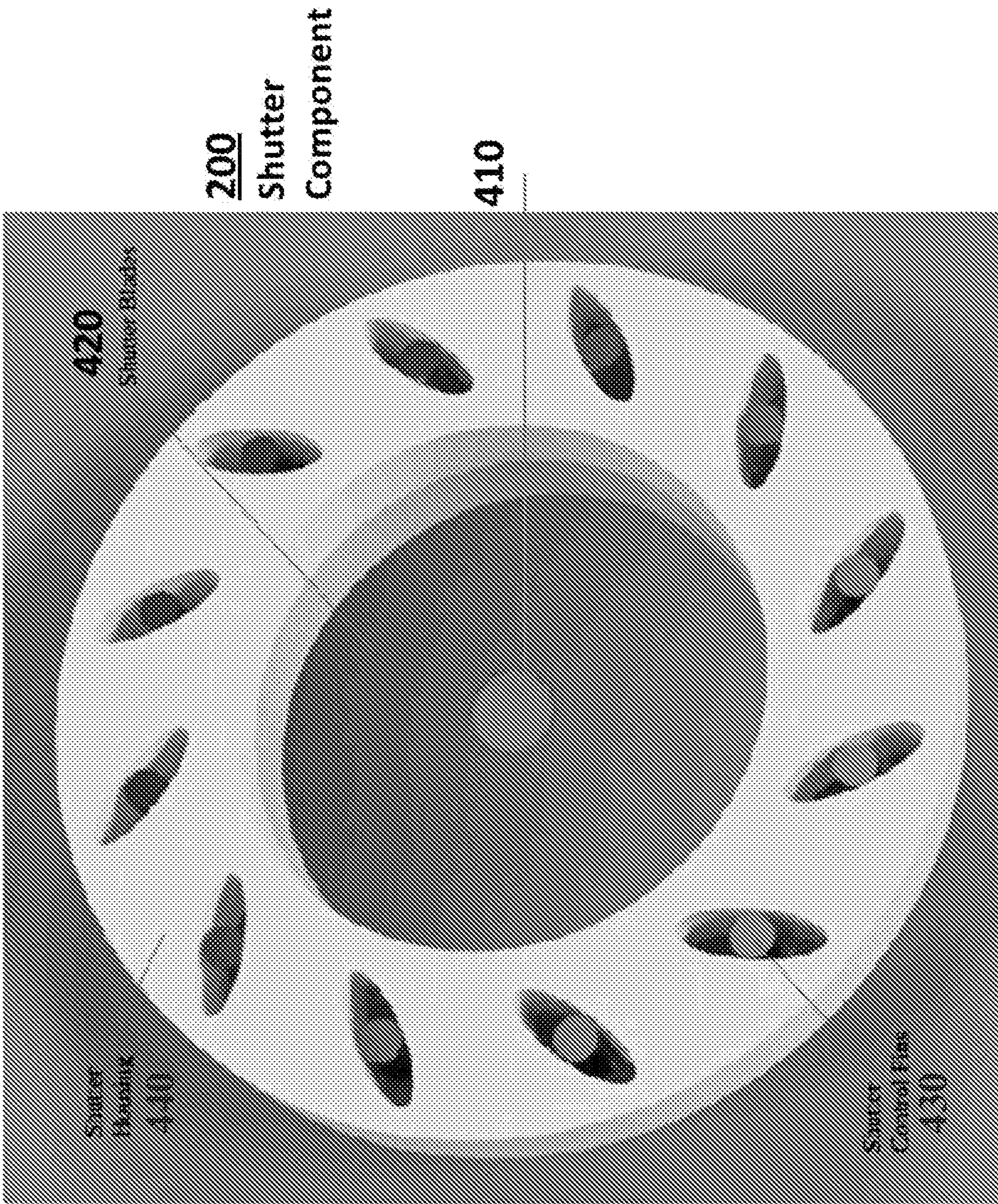


FIG. 4

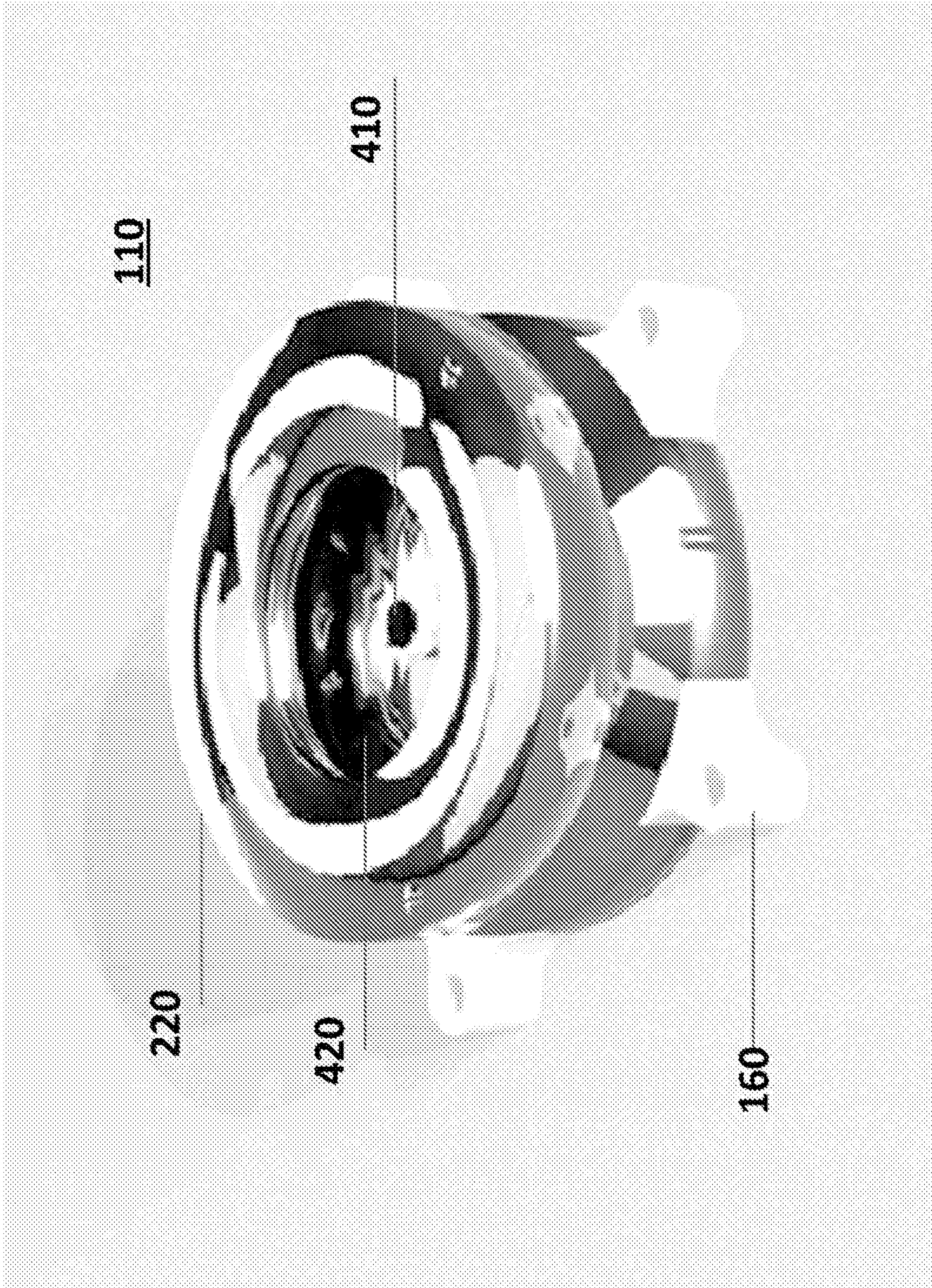


FIG. 5



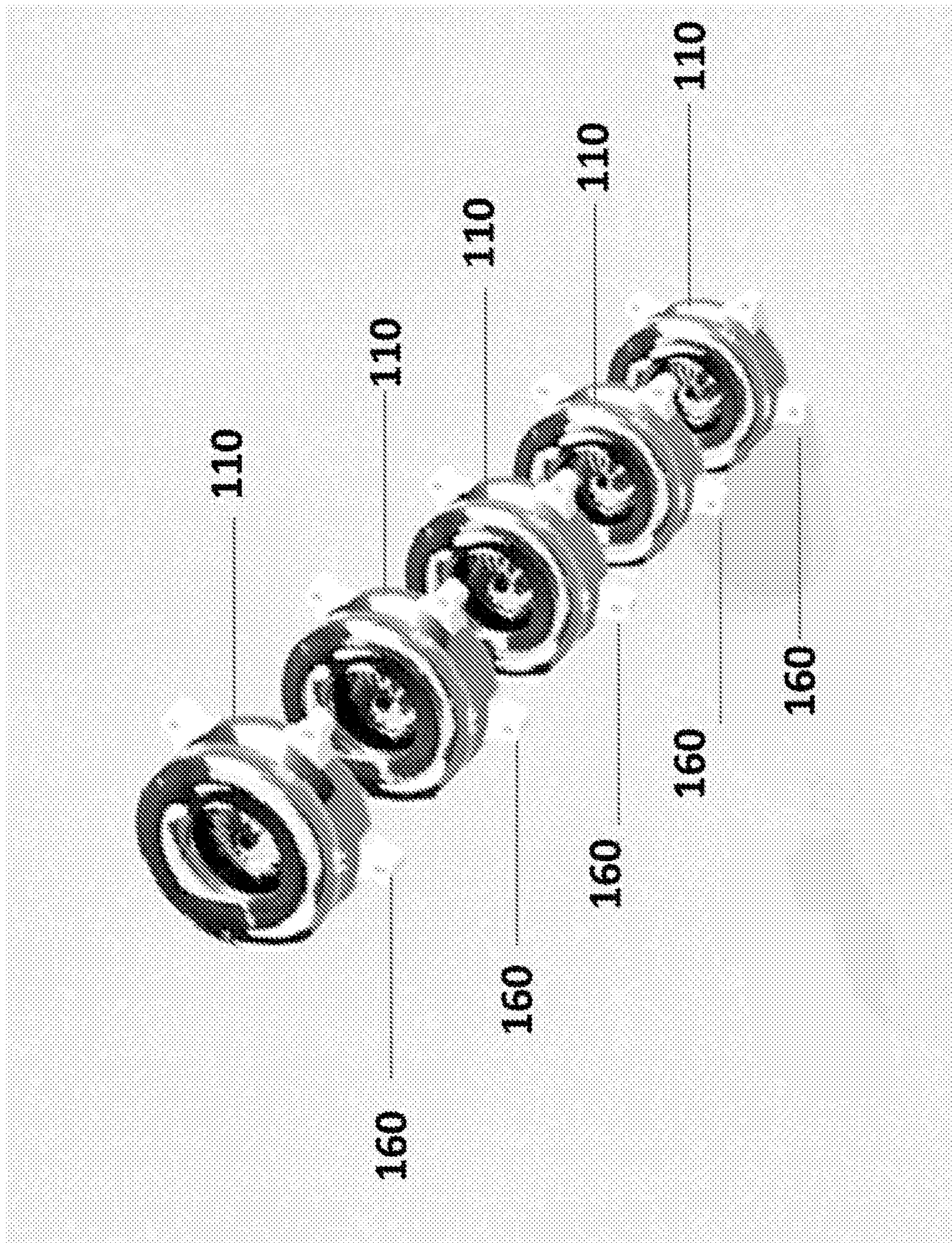


FIG. 6

7/11

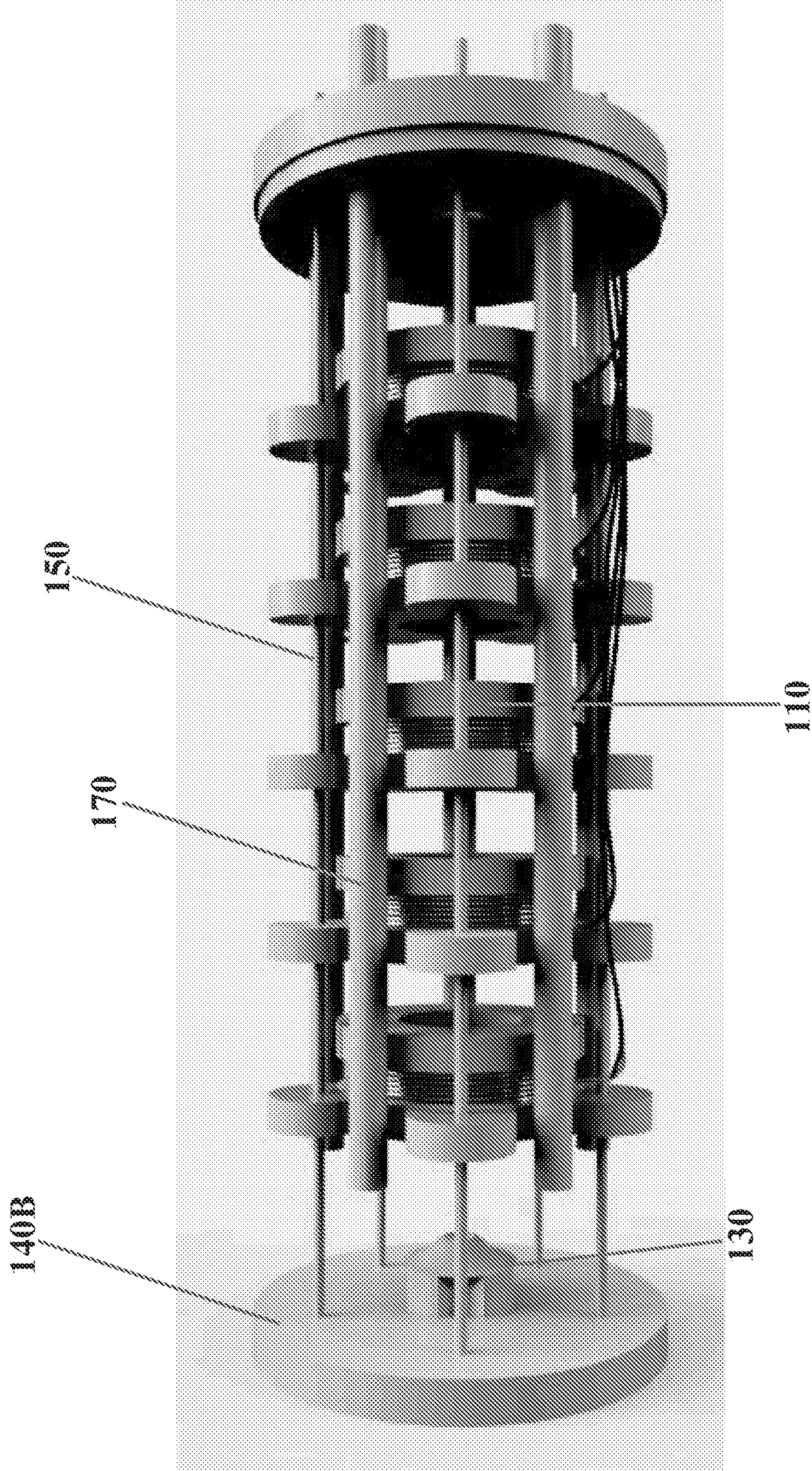


FIG. 7

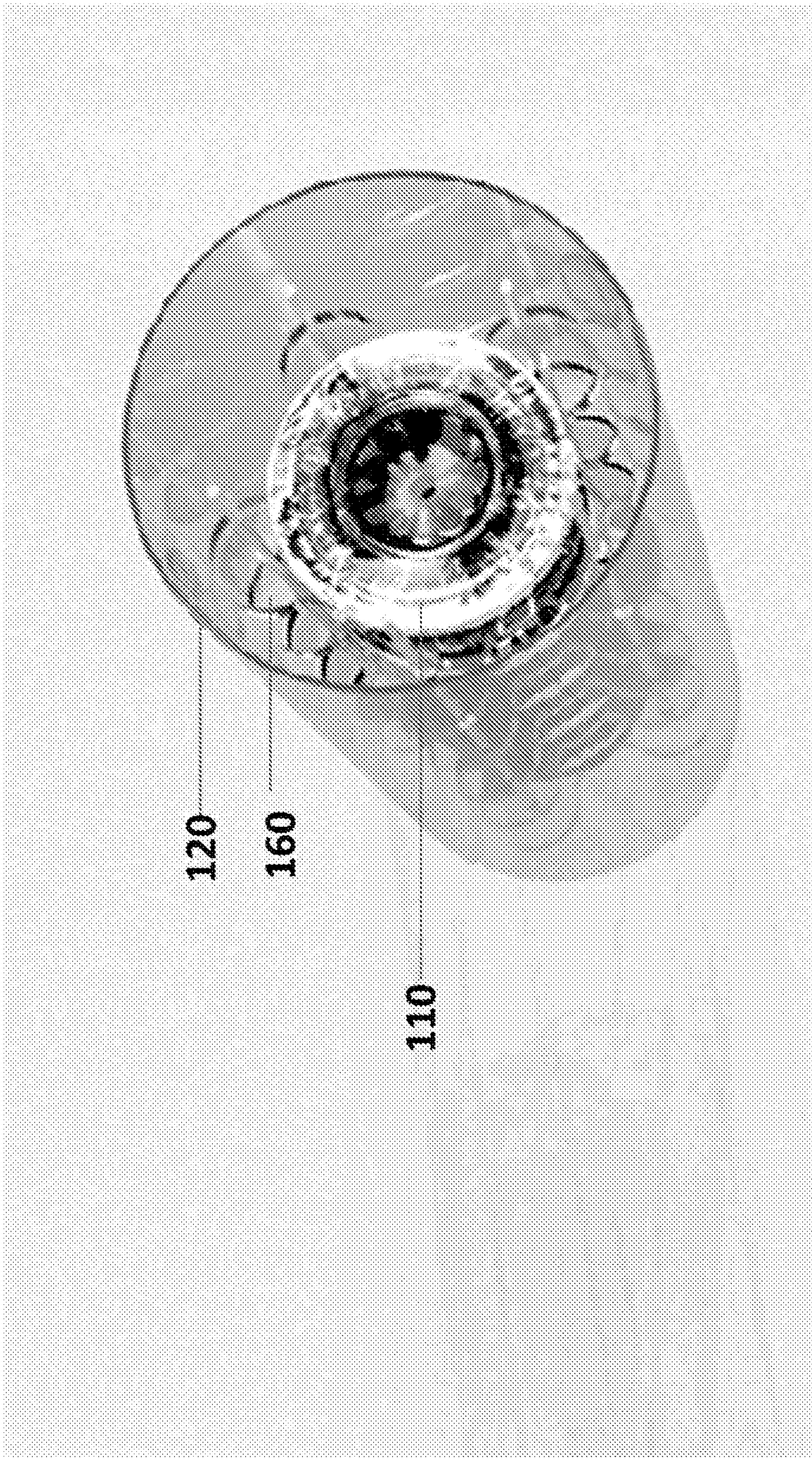


FIG. 8

9/11

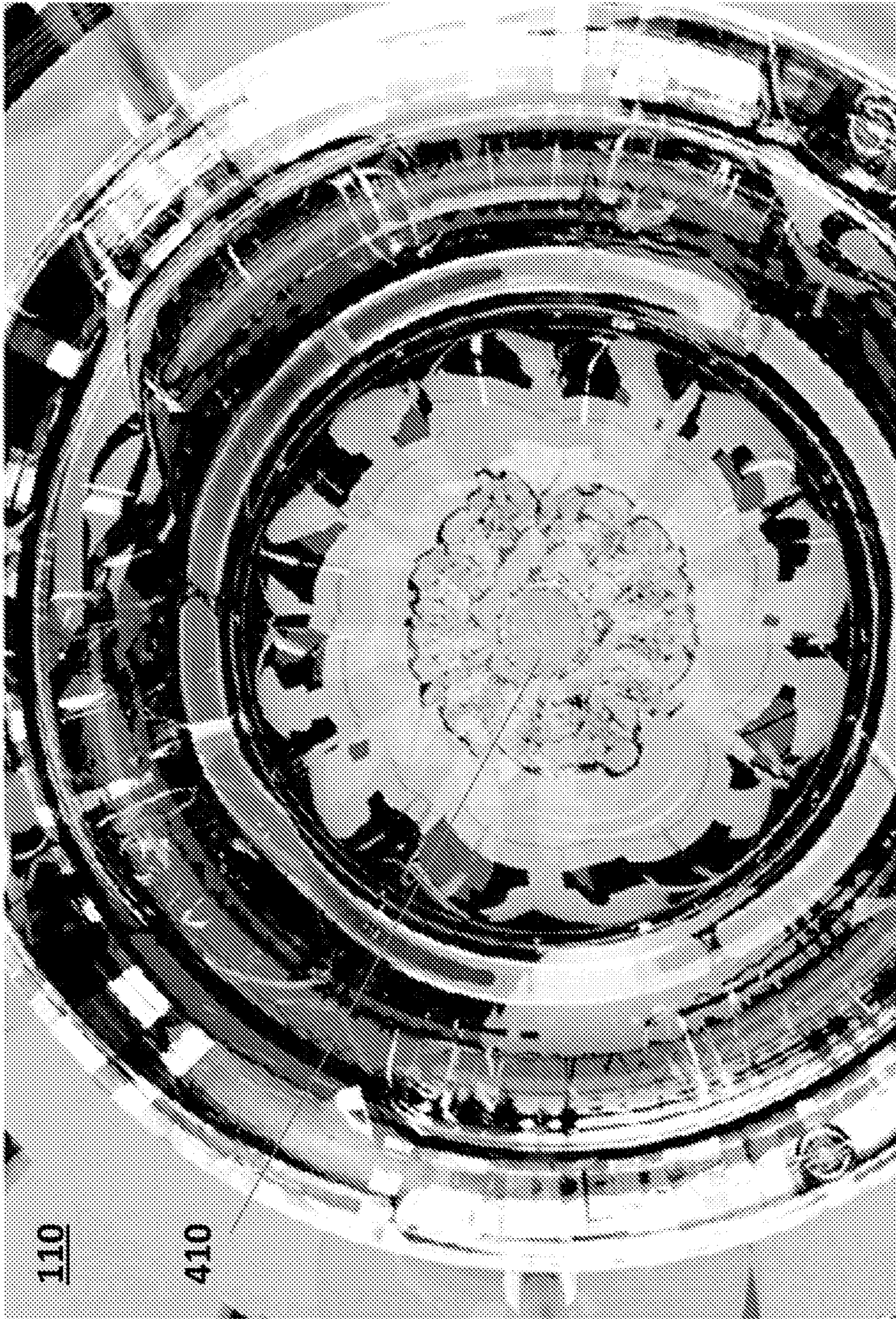


FIG. 9

110

410

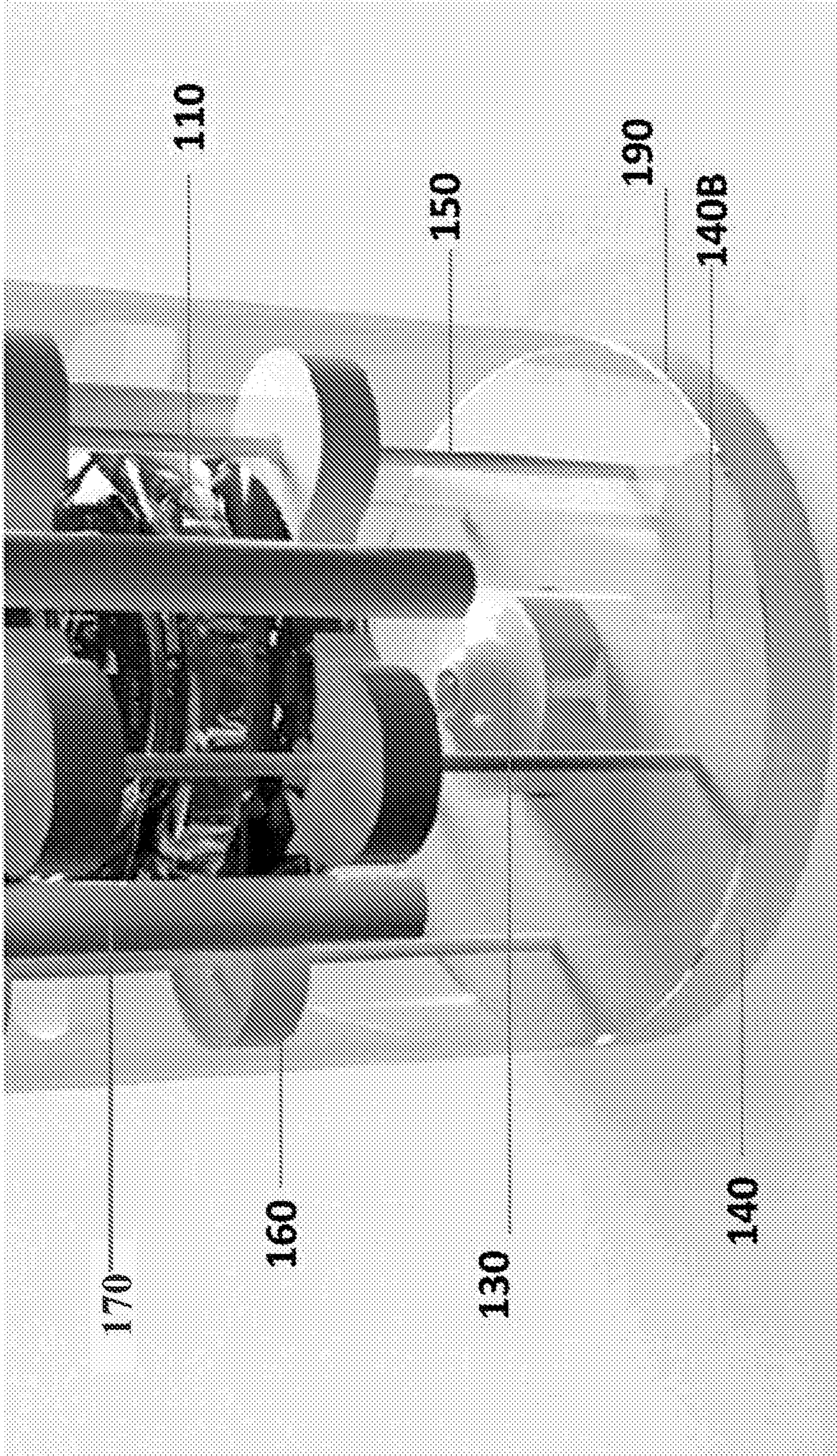


FIG. 10

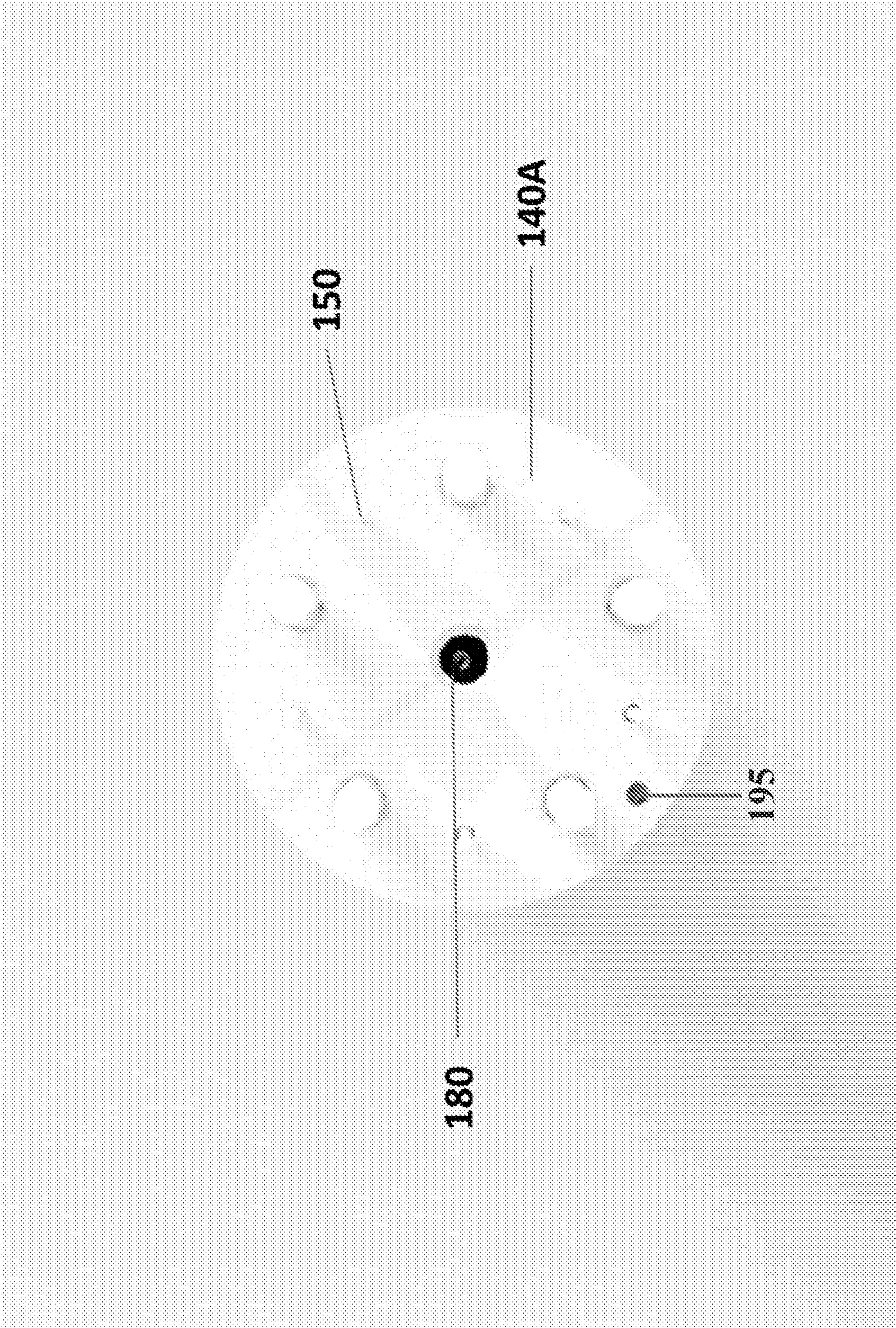


FIG. 11