

(19) World Intellectual Property Organization  
International Bureau



(43) International Publication Date  
25 January 2007 (25.01.2007)

PCT

(10) International Publication Number  
**WO 2007/010475 A3**

(51) International Patent Classification:  
A47K 10/18 (2006.01)

(21) International Application Number:  
PCT/IB2006/052442

(22) International Filing Date: 17 July 2006 (17.07.2006)

(25) Filing Language: English

(26) Publication Language: English

(30) Priority Data:  
11/183,354 18 July 2005 (18.07.2005) US

(71) Applicant (for all designated States except US): **THE PROCTER & GAMBLE COMPANY** [US/US]; One Procter & Gamble Plaza, Cincinnati, Ohio 45202 (US).

(72) Inventor; and

(75) Inventor/Applicant (for US only): **WAN, Ning** [CH/CH]; 26, Rue Des Bains, CH-1205 Geneva (CH).

(74) Common Representative: **THE PROCTER & GAMBLE COMPANY**; c/o Eileen L. Hughett, The Procter & Gamble Company, Winton Hill Business Center, 6110 Center Hill Road, Cincinnati, OH 45224 (US).

(81) Designated States (unless otherwise indicated, for every kind of national protection available): AE, AG, AL, AM, AT, AU, AZ, BA, BB, BG, BR, BW, BY, BZ, CA, CH, CN, CO, CR, CU, CZ, DE, DK, DM, DZ, EC, EE, EG, ES, FI, GB, GD, GE, GH, GM, HN, HR, HU, ID, IL, IN, IS, JP, KE, KG, KM, KN, KP, KR, KZ, LA, LC, LK, LR, LS, LT, LU, LV, LY, MA, MD, MG, MK, MN, MW, MX, MZ, NA, NG, NI, NO, NZ, OM, PG, PH, PL, PT, RO, RS, RU, SC, SD, SE, SG, SK, SL, SM, SY, TJ, TM, TN, TR, TT, TZ, UA, UG, US, UZ, VC, VN, ZA, ZM, ZW.

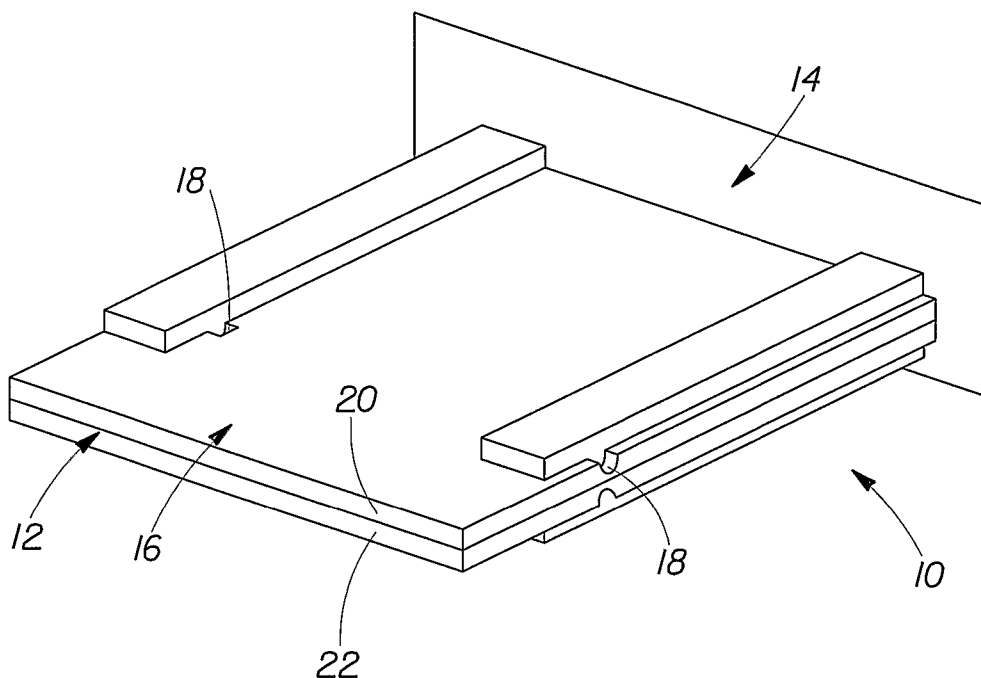
(84) Designated States (unless otherwise indicated, for every kind of regional protection available): ARIPO (BW, GH, GM, KE, LS, MW, MZ, NA, SD, SL, SZ, TZ, UG, ZM, ZW), Eurasian (AM, AZ, BY, KG, KZ, MD, RU, TJ, TM), European (AT, BE, BG, CH, CY, CZ, DE, DK, EE, ES, FI, FR, GB, GR, HU, IE, IS, IT, LT, LU, LV, MC, NL, PL, PT, RO, SE, SI, SK, TR), OAPI (BF, BJ, CF, CG, CI, CM, GA, GN, GQ, GW, ML, MR, NE, SN, TD, TG).

Published:  
— with international search report

(88) Date of publication of the international search report:  
10 May 2007

For two-letter codes and other abbreviations, refer to the "Guidance Notes on Codes and Abbreviations" appearing at the beginning of each regular issue of the PCT Gazette.

(54) Title: CONTAINER WITH AN ATTACHMENT ELEMENT



(57) Abstract: A container (12) having a body (16) and an interior volume capable of storing articles to be dispensed, the body (16) comprising an attachment element (18) capable of attaching the container (12) to a holder (14) for the container.

WO 2007/010475 A3

A. CLASSIFICATION OF SUBJECT MATTER  
INV. A47K10/18

According to International Patent Classification (IPC) or to both national classification and IPC

## B. FIELDS SEARCHED

Minimum documentation searched (classification system followed by classification symbols)  
A47K B60R

Documentation searched other than minimum documentation to the extent that such documents are included in the fields searched

Electronic data base consulted during the international search (name of data base and, where practical, search terms used)

EPO-Internal

## C. DOCUMENTS CONSIDERED TO BE RELEVANT

Category*	Citation of document, with indication, where appropriate, of the relevant passages	Relevant to claim No.
X	WO 01/89935 A2 (PROCTER & GAMBLE [US]) 29 November 2001 (2001-11-29) page 4 - page 7; figures 1-3,1a	1-9, 11-13
X	GB 2 113 655 A (KIMBERLY CLARK LTD) 10 August 1983 (1983-08-10) the whole document	1-9, 11-13
X	US 4 535 912 A (BONK JOSEPH P [US]) 20 August 1985 (1985-08-20) column 5, line 35 - column 8, line 35; figures 1,4-6	1-9, 11-13
X	EP 1 129 656 A1 (UNI CHARM CORP [JP]) 5 September 2001 (2001-09-05) the whole document	1-3,6-13
A		4,5
	-/--	

Further documents are listed in the continuation of Box C.

See patent family annex.

\* Special categories of cited documents :

- \*A\* document defining the general state of the art which is not considered to be of particular relevance
- \*E\* earlier document but published on or after the international filing date
- \*L\* document which may throw doubts on priority claim(s) or which is cited to establish the publication date of another citation or other special reason (as specified)
- \*O\* document referring to an oral disclosure, use, exhibition or other means
- \*P\* document published prior to the international filing date but later than the priority date claimed

- \*T\* later document published after the international filing date or priority date and not in conflict with the application but cited to understand the principle or theory underlying the invention
- \*X\* document of particular relevance; the claimed invention cannot be considered novel or cannot be considered to involve an inventive step when the document is taken alone
- \*Y\* document of particular relevance; the claimed invention cannot be considered to involve an inventive step when the document is combined with one or more other such documents, such combination being obvious to a person skilled in the art.
- \*Z\* document member of the same patent family

Date of the actual completion of the international search

16 January 2007

Date of mailing of the international search report

26/01/2007

Name and mailing address of the ISA/

European Patent Office, P.B. 5818 Patentlaan 2  
NL - 2280 HV Rijswijk  
Tel. (+31-70) 340-2040, Tx. 31 651 epo nl,  
Fax: (+31-70) 340-3016

Authorized officer

FAJARNES JESSEN, A

## INTERNATIONAL SEARCH REPORT

International application No

PCT/IB2006/052442

C(Continuation). DOCUMENTS CONSIDERED TO BE RELEVANT		
Category*	Citation of document, with indication, where appropriate, of the relevant passages	Relevant to claim No.
X	US 2004/124203 A1 (PHELPS STEPHEN L [US] ET AL) 1 July 2004 (2004-07-01) the whole document -----	1-3,6-9, 11-13

# INTERNATIONAL SEARCH REPORT

Information on patent family members

International application No

PCT/IB2006/052442

Patent document cited in search report	Publication date	Publication date	Patent family member(s)	Patent family member(s)	Publication date
WO 0189935	A2	29-11-2001	AU	6482001 A	03-12-2001
			BR	0111110 A	08-04-2003
			CA	2407553 A1	29-11-2001
			CN	1464780 A	31-12-2003
			EP	1283800 A2	19-02-2003
			JP	2003534071 T	18-11-2003
			TW	503093 B	21-09-2002
			US	6382552 B1	07-05-2002
<hr style="border-top: 1px dashed black;"/>					
GB 2113655	A	10-08-1983	NONE		
<hr style="border-top: 1px dashed black;"/>					
US 4535912	A	20-08-1985	NONE		
<hr style="border-top: 1px dashed black;"/>					
EP 1129656	A1	05-09-2001	AU	777700 B2	28-10-2004
			AU	6869900 A	10-04-2001
			BR	0007078 A	31-07-2001
			CA	2350020 A1	15-03-2001
			CN	1327372 A	19-12-2001
			DE	60025154 T2	24-08-2006
			WO	0117412 A1	15-03-2001
			JP	2001145583 A	29-05-2001
			TW	518213 B	21-01-2003
			US	6604628 B1	12-08-2003
<hr style="border-top: 1px dashed black;"/>					
US 2004124203	A1	01-07-2004	NONE		