

(19) World Intellectual Property Organization  
International Bureau



(43) International Publication Date  
23 July 2009 (23.07.2009)

PCT

(10) International Publication Number  
WO 2009/091973 A3

- (51) International Patent Classification:  
B60G 11/26 (2006.01) F16F 13/14 (2006.01)  
B60G 7/02 (2006.01)
- (21) International Application Number:  
PCT/US2009/031244
- (22) International Filing Date:  
16 January 2009 (16.01.2009)
- (25) Filing Language: English
- (26) Publication Language: English
- (30) Priority Data:  
61/021,460 16 January 2008 (16.01.2008) US
- (71) Applicant (for all designated States except US): Z F GROUP NORTH AMERICAN OPERATIONS, INC. [US/US]; 15811 Centennial Drive, Northville, MI 48618 (US).
- (72) Inventors; and  
(75) Inventors/Applicants (for US only): AUTEN, Jeffrey, D. [US/US]; 3980 Spencer Terrace, West Bloomfield, MI 48323 (US). WEITZMANN, Juergen [DE/US]; 43002 Brookstone Drive, Novi, MI 48377 (US). HAN, Jin, Kyu [US/US]; 2755 Windwood Drive, Apt. 211, Ann Arbor, MA 48105 (US).
- (74) Agents: GIFFORD, Ernest, I. et al.; Gifford, Krass, Sprinkle, Anderson & Citkowski, P.C, 2701 Troy Center Drive, Suite 330, Post Office Box 7021, Troy, MI 48007-7021 (US).
- (81) Designated States (unless otherwise indicated, for every kind of national protection available): AE, AG, AL, AM, AO, AT, AU, AZ, BA, BB, BG, BH, BR, BW, BY, BZ, CA, CH, CN, CO, CR, CU, CZ, DE, DK, DM, DO, DZ, EC, EE, EG, ES, FI, GB, GD, GE, GH, GM, GT, HN, HR, HU, ID, IL, IN, IS, JP, KE, KG, KM, KN, KP, KR, KZ, LA, LC, LK, LR, LS, LT, LU, LY, MA, MD, ME, MG, MK, MN, MW, MX, MY, MZ, NA, NG, NI, NO,

[Continued on next page]

(54) Title: HYDRAULIC BUSHING

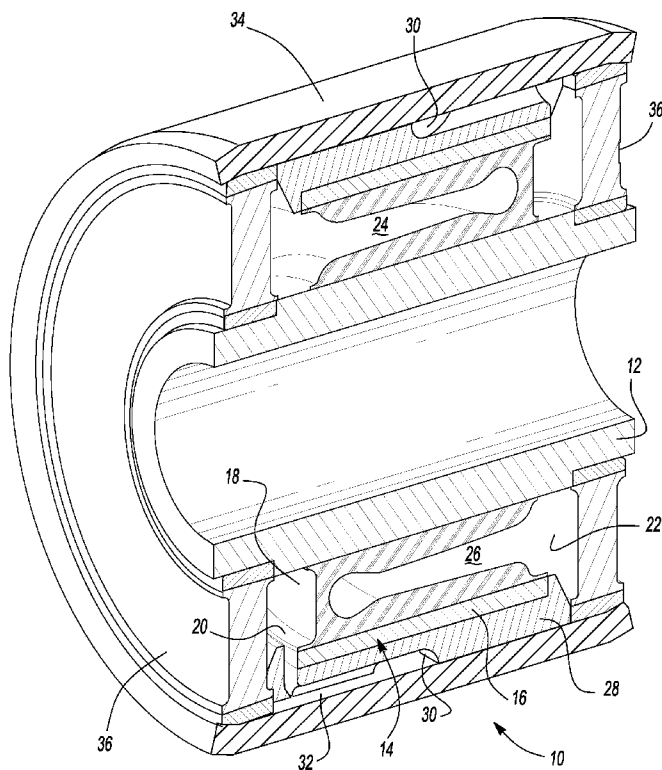


Fig-1

(57) Abstract: A hydraulic bushing including an elastomeric bellows having radially spaced axially extending arcuate chambers fluidly connected with axially spaced radially extending chambers to dampen axial as well as radial loads imposed upon the bushing.



WO 2009/091973 A3



NZ, OM, PG, PH, PL, PT, RO, RS, RU, SC, SD, SE, SG, SK, SL, SM, ST, SV, SY, TJ, TM, TN, TR, TT, TZ, UA, UG, US, UZ, VC, VN, ZA, ZM, ZW.

**(84) Designated States** (unless otherwise indicated, for every kind of regional protection available): ARIPO (BW, GH, GM, KE, LS, MW, MZ, NA, SD, SL, SZ, TZ, UG, ZM, ZW), Eurasian (AM, AZ, BY, KG, KZ, MD, RU, TJ, TM), European (AT, BE, BG, CH, CY, CZ, DE, DK, EE, ES, FI, FR, GB, GR, HR, HU, IE, IS, IT, LT, LU, LV, MC, MK, MT, NL, NO, PL, PT, RO, SE, SI, SK, TR), OAPI (BF, BJ, CF, CG, CI, CM, GA, GN, GQ, GW, ML, MR, NE, SN, TD, TG).

**Published:**

- with international search report (Art. 21(3))
- before the expiration of the time limit for amending the claims and to be republished in the event of receipt of amendments (Rule 48.2(h))

**(88) Date of publication of the international search report:**

3 September 2009

**A. CLASSIFICATION OF SUBJECT MATTER*****B60G 11/26(2006.01)i, B60G 7/02(2006.01)i, F16F 13/14(2006.01)i***

According to International Patent Classification (IPC) or to both national classification and IPC

**B. FIELDS SEARCHED**

Minimum documentation searched (classification system followed by classification symbols)

IPC 8 : F16F 3/00, F16F13/16, F16F 5/00 , F16F 9/10, F16F 13/04 , F16F 13/06 , F16F 13/10 , F16F 13/14 , F16F13/16, F16F 13/26 , F16F 13/28, F16M 15/04, F16M 7/00

Documentation searched other than minimum documentation to the extent that such documents are included in the fields searched

Korean Utility models and applications for Utility models since 1975  
Japanese Utility models and applications for Utility models since 1975

Electronic data base consulted during the international search (name of data base and, where practicable, search terms used)

eKIPASS(KIPO intornal)

**C. DOCUMENTS CONSIDERED TO BE RELEVANT**

Category*	Citation of document, with indication, where appropriate, of the relevant passages	Relevant to claim No.
X	JP 2004-518927 A (Andreas Vossel, et al.) 24 June 2004 See the abstract, Paragraphs 1-17; Claims 1-9 and Figures 1-3.	1-9
X	US 6644633 A (Graeve; Arndt) 11 November 2003 See the abstract, Columns 1-6; Claims 1-25, and Figures 1-3.	1-9
Y	JP 2005-507065 A (SIEMER HUBERT, et al.) 10 March 2005 See the abstract, Paragraphs 1-23; Claims 1-11 and Figures 1-6.	1-9
Y	US 4667942 A (Bitschkus; Horst, et al.) 26 May 1987 See the abstract, Columns 1,2; Claim 1, and Figures 1,2.	1-9
A	US 7198256 A (ZF Lemforder Metallwaren AG) 3 April 2007 See the whole document.	1-9
A	US 4964623 A (Thorn; Richard P.) 23 October 1990 See the whole document.	1-9
A	US 4872651 A (Thorn Richard P.) 10 October 1989 See the whole document.	1-9

 Further documents are listed in the continuation of Box C. See patent family annex.

\* Special categories of cited documents:

"A" document defining the general state of the art which is not considered to be of particular relevance

"E" earlier application or patent but published on or after the international filing date

"L" document which may throw doubts on priority claim(s) or which is cited to establish the publication date of citation or other special reason (as specified)

"O" document referring to an oral disclosure, use, exhibition or other means

"P" document published prior to the international filing date but later than the priority date claimed

"T" later document published after the international filing date or priority date and not in conflict with the application but cited to understand the principle or theory underlying the invention

"X" document of particular relevance; the claimed invention cannot be considered novel or cannot be considered to involve an inventive step when the document is taken alone

"Y" document of particular relevance; the claimed invention cannot be considered to involve an inventive step when the document is combined with one or more other such documents, such combination being obvious to a person skilled in the art

"&amp;" document member of the same patent family

Date of the actual completion of the international search

23 JUNE 2009 (23.06.2009)

Date of mailing of the international search report

**23 JUNE 2009 (23.06.2009)**

Name and mailing address of the ISA/KR

Korean Intellectual Property Office  
Government Complex-Daejeon, 139 Seonsa-ro, Seo-gu,  
Daejeon 302-701, Republic of Korea

Facsimile No. 82-42-472-7140

Authorized officer

KIM, Sang Wook

Telephone No. 82-42-481-5427



**INTERNATIONAL SEARCH REPORT**

Information on patent family members

International application No.

**PCT/US2009/031244**

Patent document cited in search report	Publication date	Patent family member(s)	Publication date
JP 2004-518927 A	24.06.2004	BR 0204821 A	08.07.2003
		DE 10118229 A1	07.11.2002
		DE 10118229 B4	29.03.2007
		EP 1287273 A1	05.03.2003
		EP 1287273 B1	05.10.2005
		ES 2248552 T3	16.03.2006
		JP 2004-518927	24.06.2004
		JP 2004-518927 T	24.06.2004
		US 2003-0151178 A1	14.08.2003
		US 2003-151178 A1	14.08.2003
		US 7014178 B2	21.03.2006
		WO 0208-4143A1	24.10.2002
		US 6644633 A	11.11.2003
DE 10024536 A1	29.11.2001		
DE 10024536 B4	01.06.2006		
DE 50104546 D1	23.12.2004		
EP 1282788 A1	12.02.2003		
EP 1282788 B1	17.11.2004		
EP 1282788 A1	12.02.2003		
EP 1282788 B1	17.11.2004		
ES 2233642 T3	16.06.2005		
JP 2003-533654	11.11.2003		
JP 2003-533654 T	11.11.2003		
US 2003-0098534 A1	29.05.2003		
US 2003-098534 A1	29.05.2003		
US 6644633 B2	11.11.2003		
WO 01-88405 A1	22.11.2001		
JP 2005-507065 A	10.03.2005	BR 0206241 A	06.01.2004
		DE 10153220 A1	15.05.2003
		DE 50206335 D1	18.05.2006
		EP 1440250 A1	28.07.2004
		EP 1440250 B1	05.04.2006
		EP 1440250 A1	28.07.2004
		EP 1440250 B1	05.04.2006
		JP 2005-507065 T	10.03.2005
		US 2004-041317 A1	04.03.2004
		US 7052004 B2	30.05.2006
		WO 0303-8301A1	08.05.2003

**INTERNATIONAL SEARCH REPORT**

International application No.

**PCT/US2009/031244**

US 4667942 A	26.05.1987	BR 8601748 A	23.12.1986
		DE 3605305 A1	20.08.1987
		DE 3660972 D1	24.11.1988
		EP 0199240 B2	23.04.1997
		EP 0199240 A2	29.10.1986
		EP 0199240 A3	07.01.1987
		EP 0199240 B1	19.10.1988
		EP 0199240 B2	12.10.1994
		ES 293603 U	16.08.1986
		ES 293603 Y	01.05.1987
		ES 293603 Y1	14.05.1987
		JP 61-244936	31.10.1986
		US 4667942 A	26.05.1987
US 7198256 A	03.04.2007	US 2004-0056397 A1	25.03.2004
US 4964623 A	23.10.1990	US 4964623 A	23.10.1990
US 4872651 A	10.10.1989	None	