



US00D772773S

(12) **United States Design Patent** (10) **Patent No.:** **US D772,773 S**
Andersen et al. (45) **Date of Patent:** **** Nov. 29, 2016**

(54) **FUEL TANK FOR A WORK VEHICLE**
(71) Applicant: **Deere & Company**, Moline, IL (US)
(72) Inventors: **Brian L. Andersen**, Reinbeck, IA (US);
Kaleb Zimmerman, Cedar Falls, IA (US);
Craig E. Rehmert, Fairbank, IA (US);
James W. Wienkes, Dike, IA (US)
(73) Assignee: **DEERE & COMPANY**, Moline, IL (US)

D588,054 S * 3/2009 Xi-Ren D12/218
D644,160 S * 8/2011 Fries D12/218
D644,161 S * 8/2011 Fries D12/218
D656,520 S * 3/2012 Ortlund D12/218
D663,325 S * 7/2012 Thunstrom D15/13
D694,167 S * 11/2013 Forsberg D12/218
D728,632 S * 5/2015 Klassen D12/218
D728,633 S * 5/2015 Klassen D12/218

(**) Term: **15 Years**

(21) Appl. No.: **29/535,446**

(22) Filed: **Aug. 6, 2015**

(51) **LOC (10) Cl.** **12-06**

(52) **U.S. Cl.**
USPC **D12/218**; D15/28

(58) **Field of Classification Search**
USPC D15/28, 15, 23, 17; D12/218; 280/834,
280/288.4, 830, 124.1, 835; 180/69.4, 69.5,
180/89.12, 900, 225; 220/564, 524, 555,
220/567.2; 123/518-520
CPC B60K 15/00; B60K 15/03; B60K 15/07;
B60K 15/0306; B60K 15/063; B60K 15/073;
B62D 21/16; F02M 37/0094
See application file for complete search history.

(56) **References Cited**

U.S. PATENT DOCUMENTS

4,480,845 A * 11/1984 Hansen B60K 15/00
280/164.1
D282,921 S * 3/1986 Eureka D12/218
D433,425 S * 11/2000 Surridge D15/17
D435,503 S * 12/2000 Gukeisen D12/218
D441,710 S * 5/2001 Moehle D12/218
6,550,811 B1 * 4/2003 Bennett B60K 15/03
180/314
D551,153 S * 9/2007 Oury D12/218
D562,350 S * 2/2008 Higashikawa D12/218
D564,431 S * 3/2008 Orr D12/196

OTHER PUBLICATIONS

New Holland T9 Saddle Tanks—<http://agriculture.newholland.com/us/en/About-New-Holland/Innovation/Pages/T9.aspx>.

* cited by examiner

Primary Examiner — Mark Goodwin

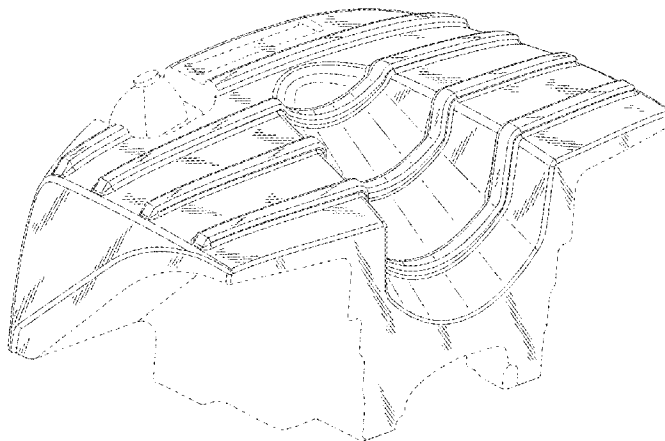
(57) **CLAIM**

The ornamental design for a fuel tank for a work vehicle, as shown and described.

DESCRIPTION

FIG. 1 is a top, rear, left perspective view of a fuel tank for a work vehicle embodying our new design;
FIG. 2 is a left perspective view thereof;
FIG. 3 is a right perspective view thereof;
FIG. 4 is a front perspective view thereof;
FIG. 5 is a rear perspective view thereof;
FIG. 6 is a top view thereof;
FIG. 7 is a bottom view thereof;
FIG. 8 is a top, rear, left perspective view thereof showing work vehicle environment;
FIG. 9 is a rear, left perspective view thereof showing work vehicle environment; and,
FIG. 10 is a top, rear, left perspective view thereof showing different unclaimed boundary.
The broken line representations in the figures show unclaimed environment or boundaries, and thus form no part of the claimed design.
The nature of this product is a fuel tank for a work vehicle, such as a tractor.

1 Claim, 9 Drawing Sheets



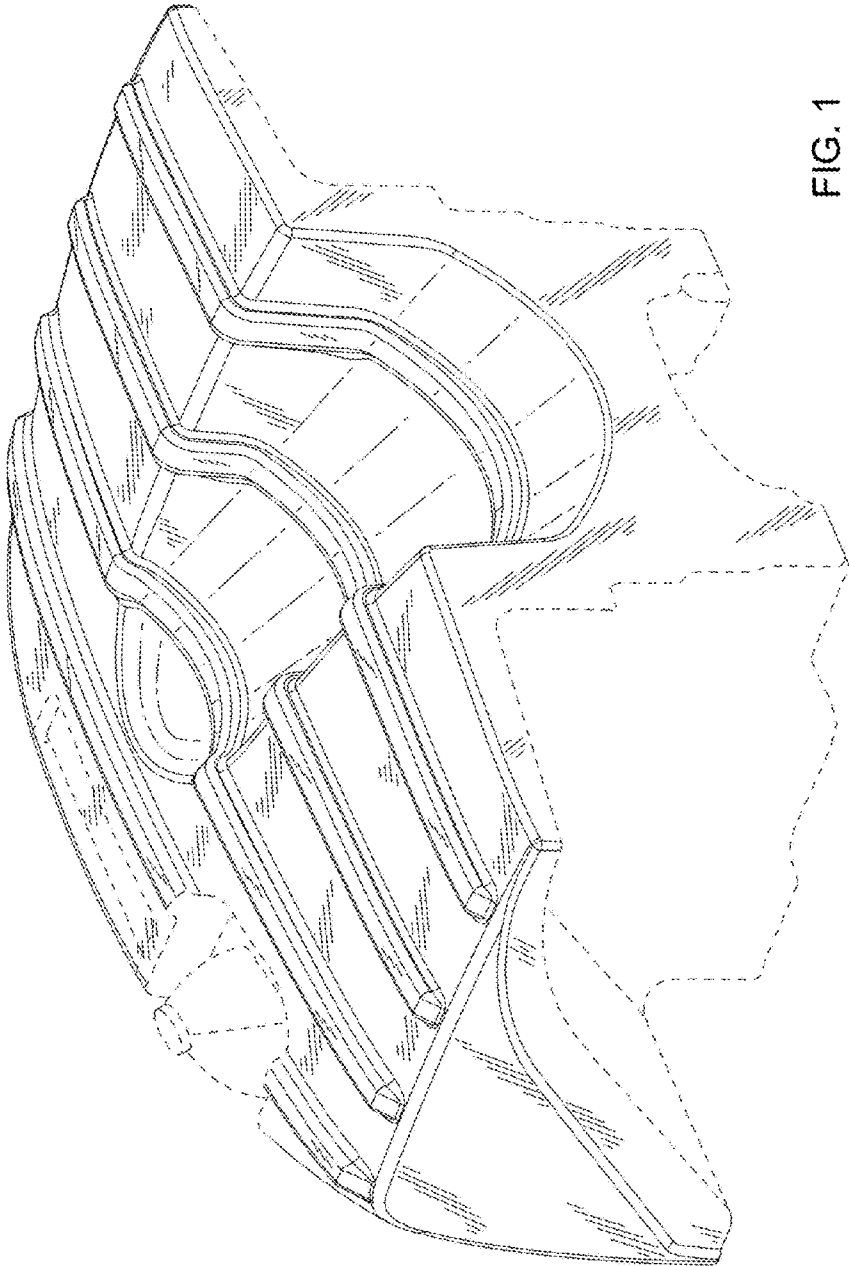


FIG. 1

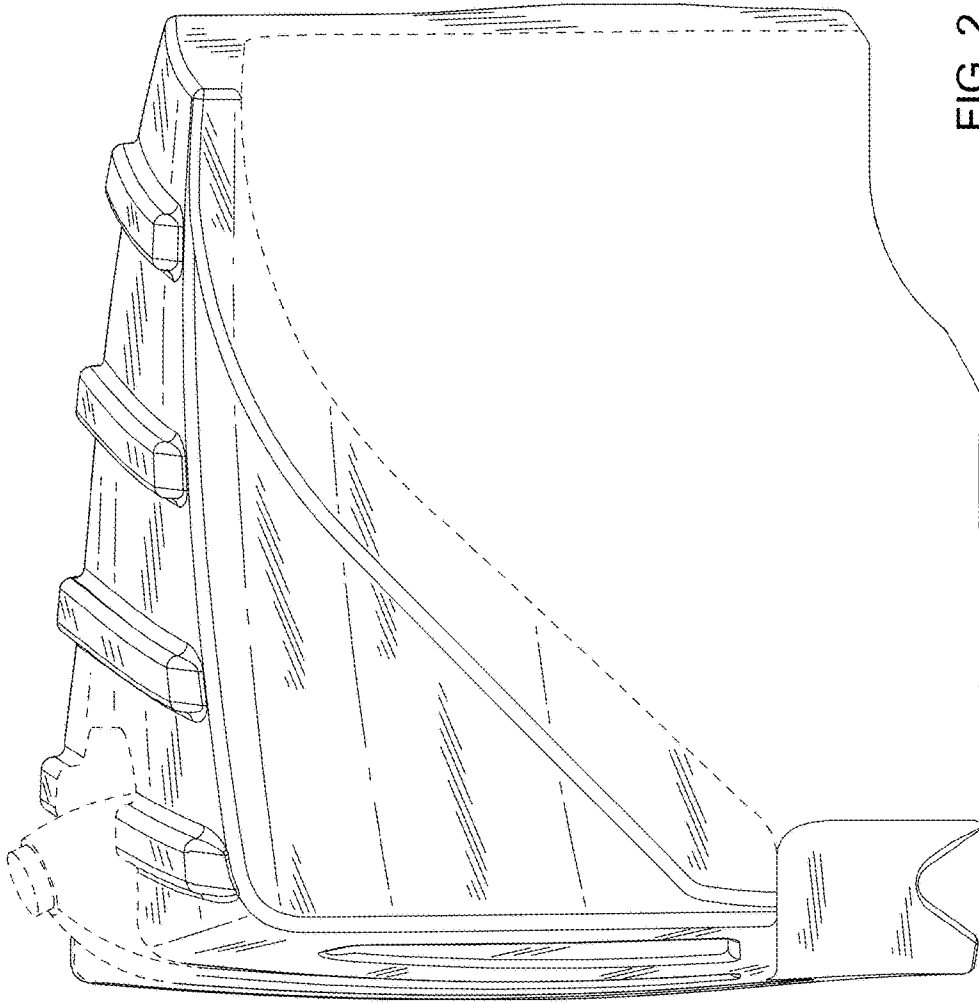


FIG. 2

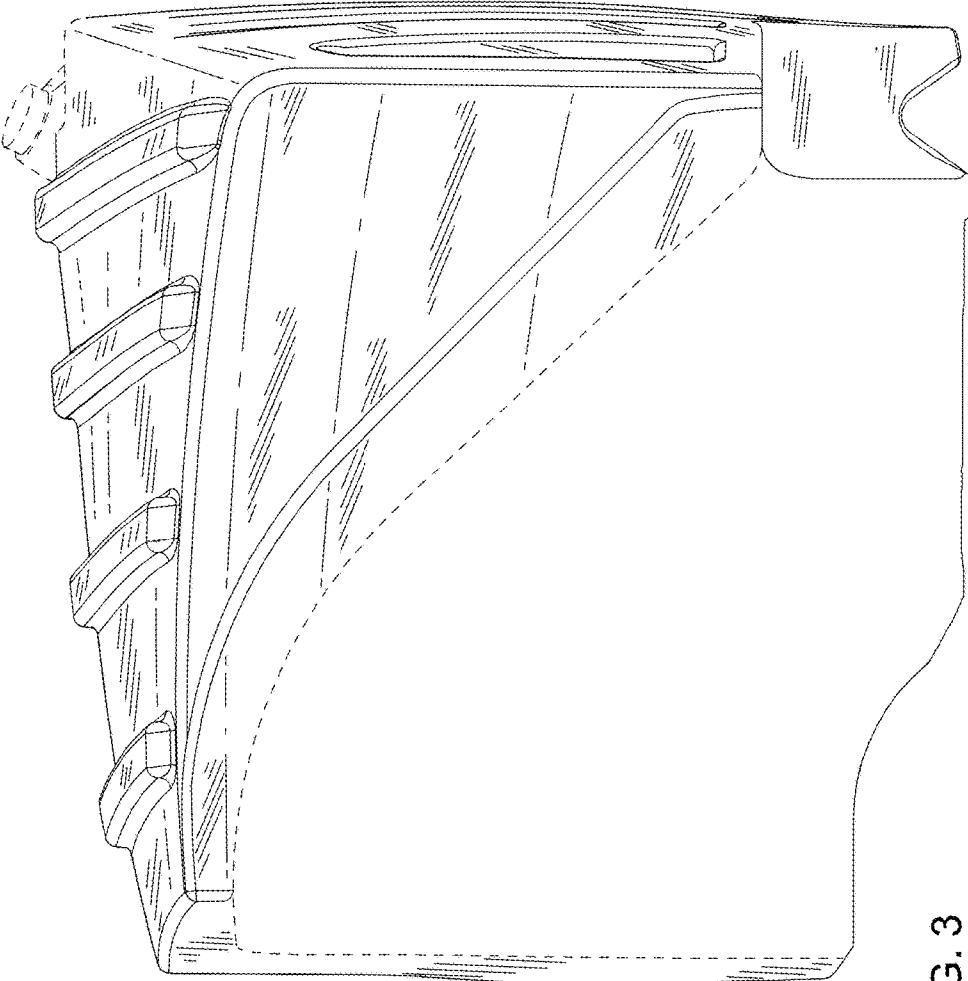


FIG. 3

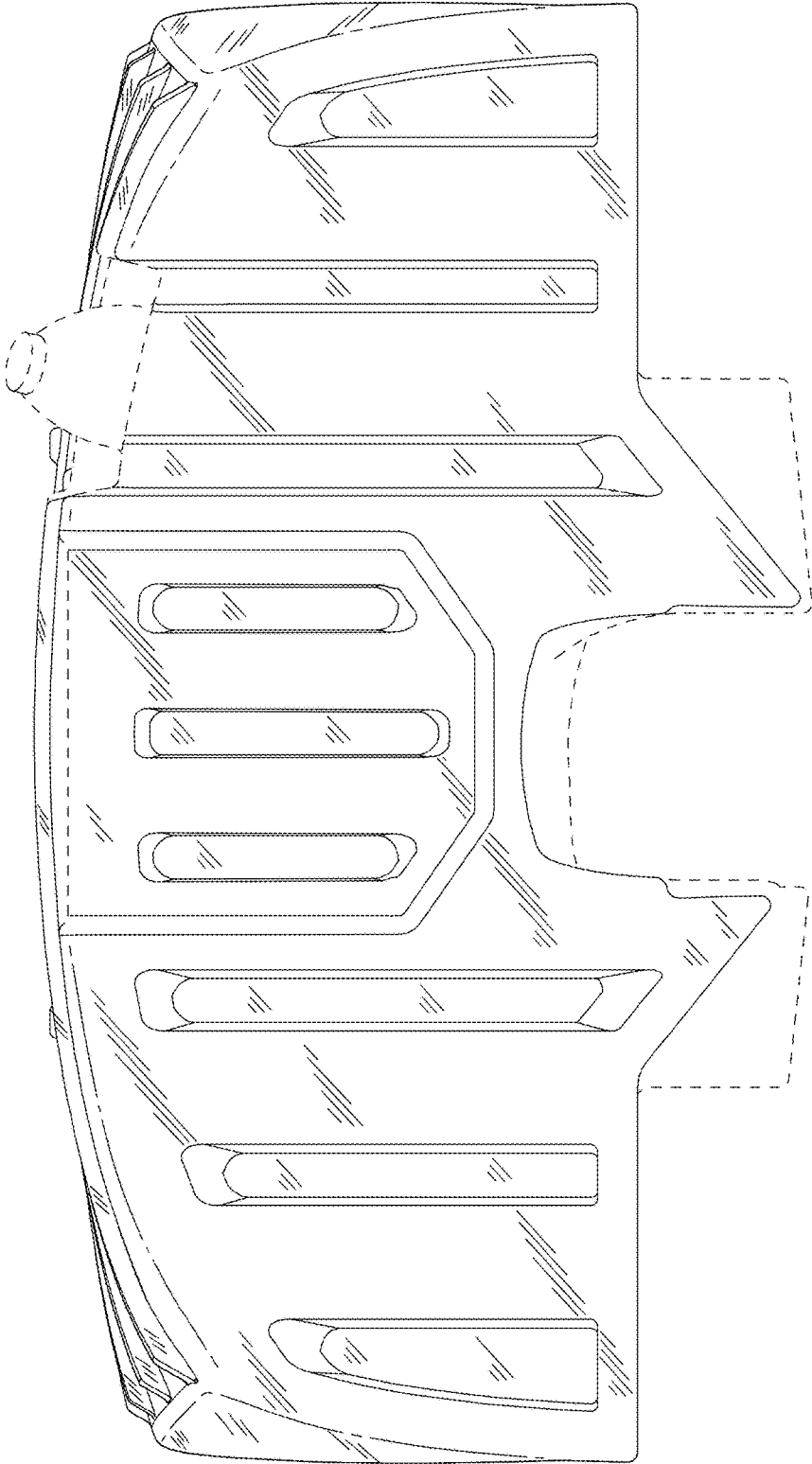


FIG. 4

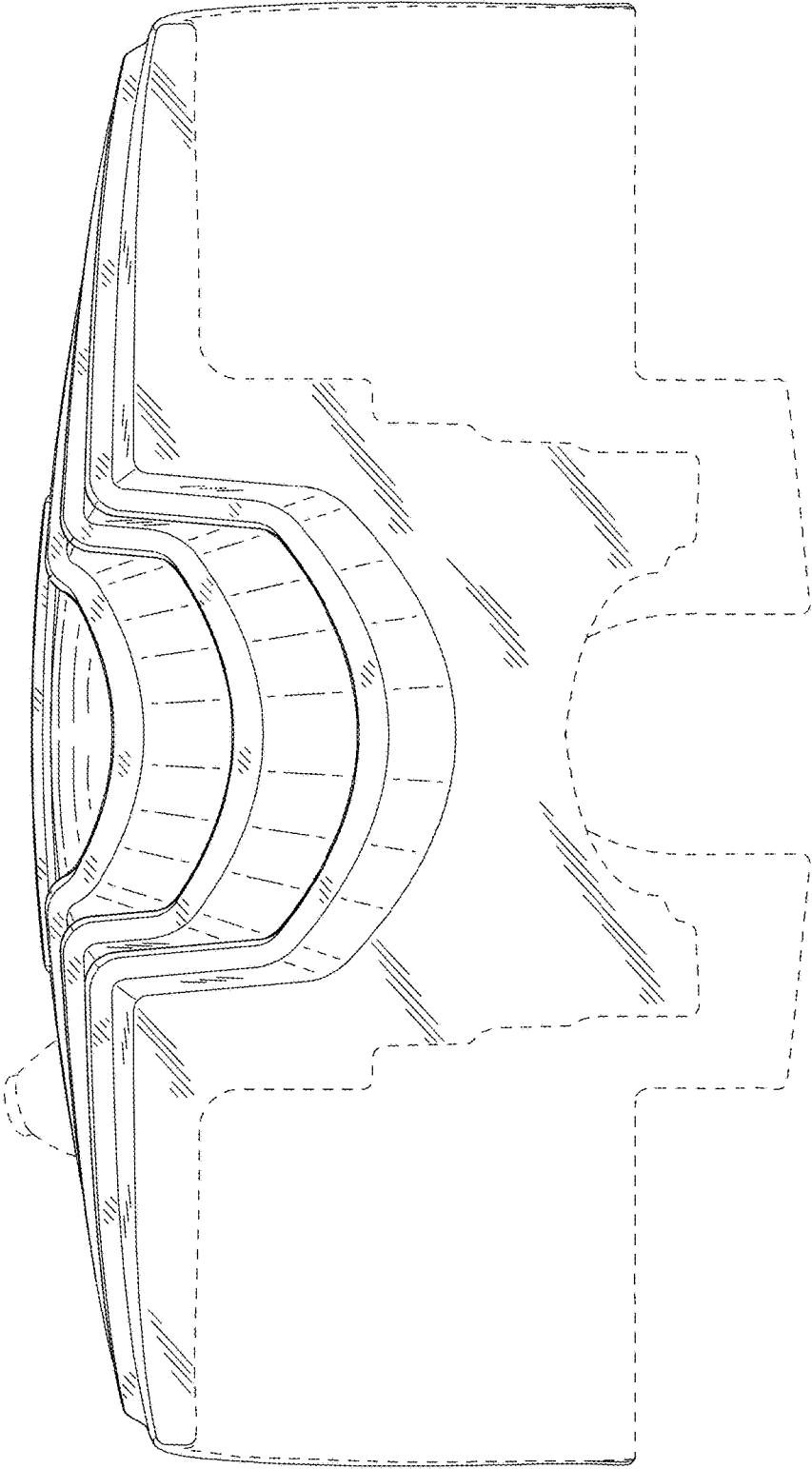


FIG. 5

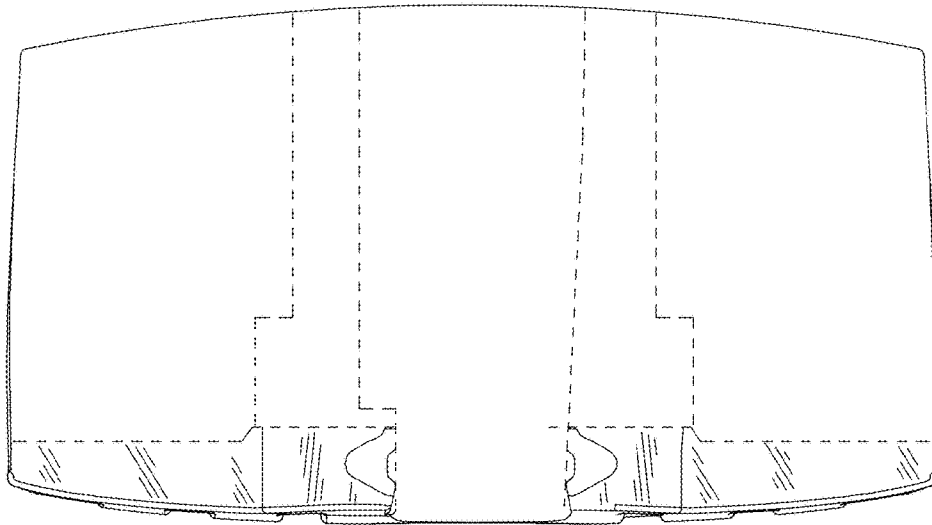


FIG. 7

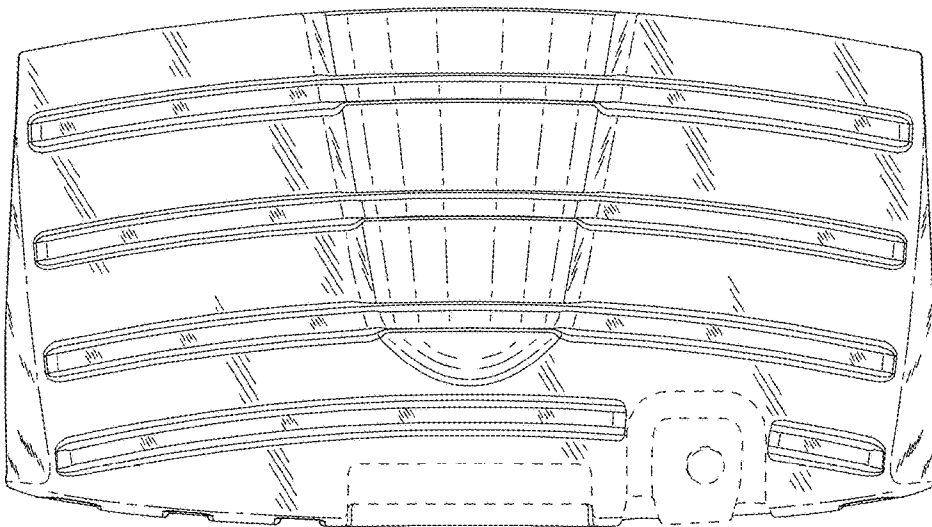


FIG. 6

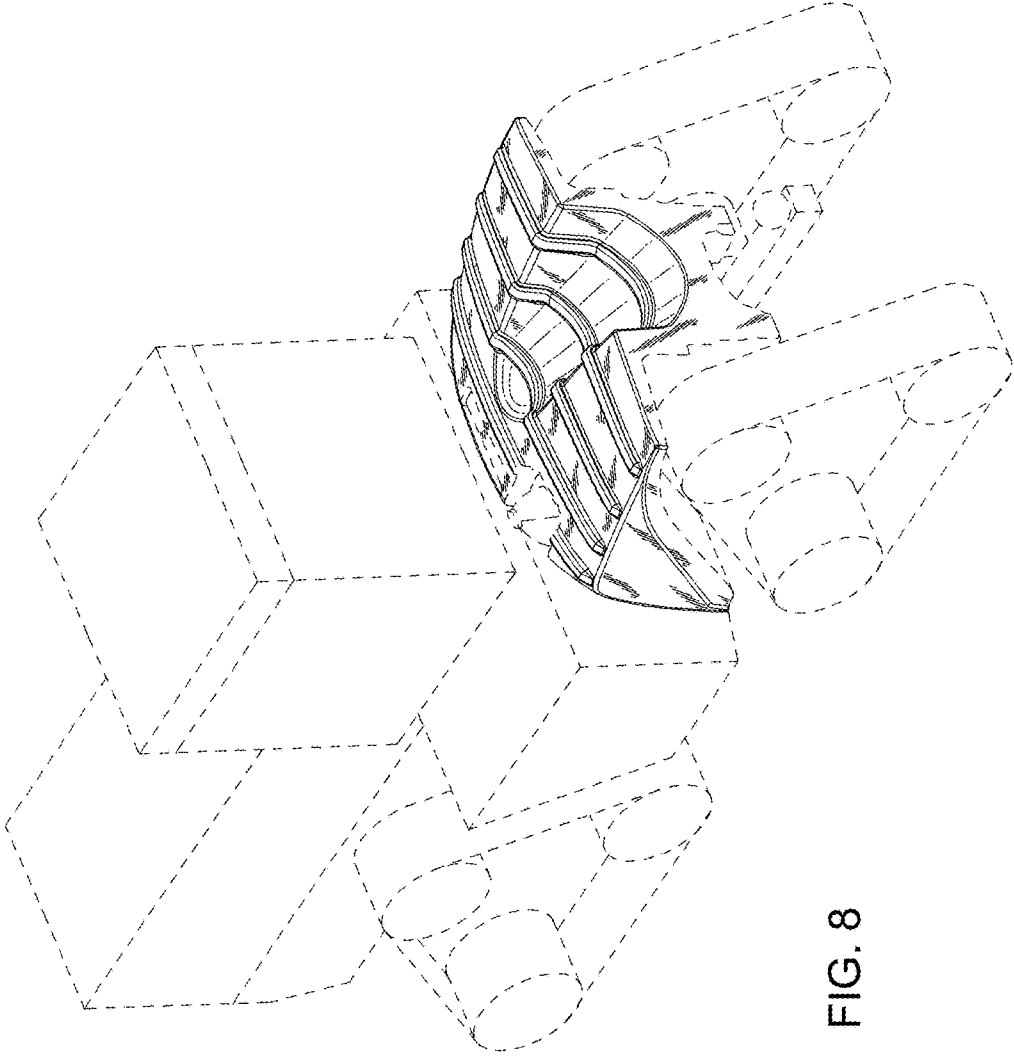


FIG. 8

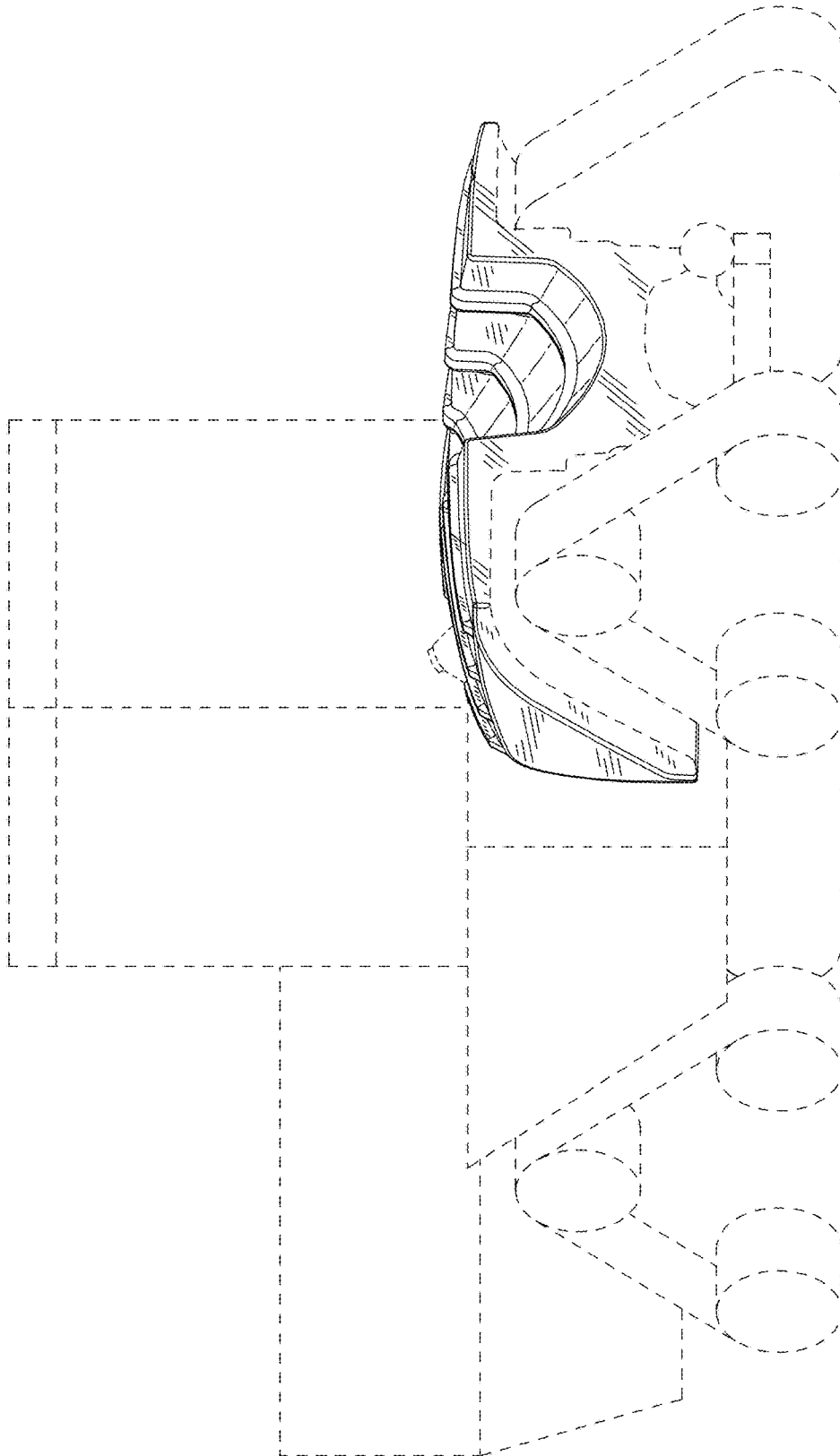


FIG. 9

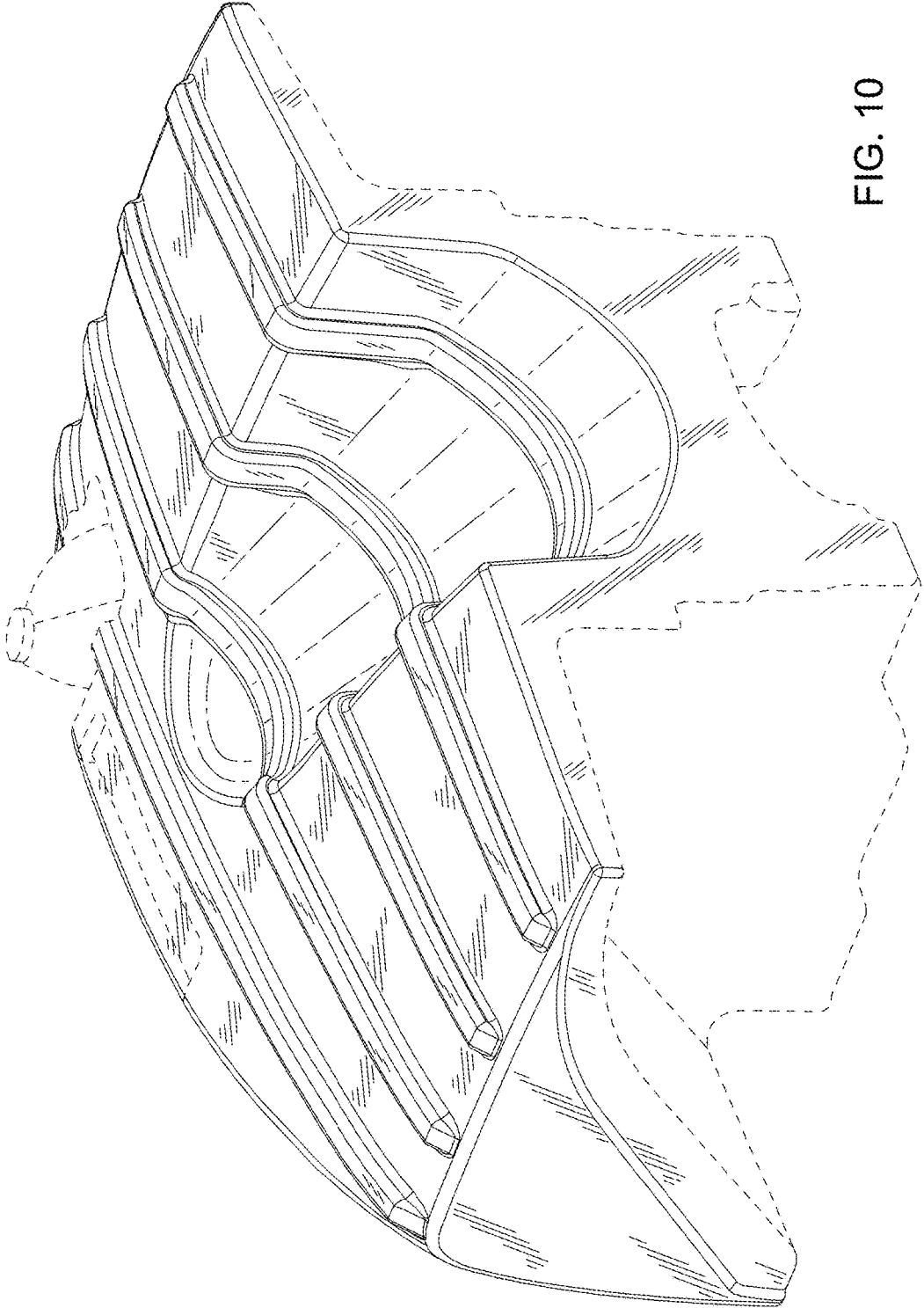


FIG. 10