



US00D340031S

United States Patent [19] Hill

[11] Patent Number: **Des. 340,031**

[45] Date of Patent: **** Oct. 5, 1993**

- [54] **ENCLOSURE FOR A PROGRAMMABLE INPUT/OUTPUT CONTROLLER**
- [75] Inventor: **David W. Hill**, Rochester, Minn.
- [73] Assignee: **International Business Machines Corporation**, Armonk, N.Y.
- [**] Term: **14 Years**
- [21] Appl. No.: **598,447**
- [22] Filed: **Oct. 15, 1990**
- [52] U.S. Cl. **D13/162; D13/184**
- [58] Field of Search **D13/123, 162, 164, 184; 361/380, 383, 391, 392, 393, 394, 395, 399, 415**

[56] **References Cited**

U.S. PATENT DOCUMENTS

D. 254,613	4/1980	Ault	D13/162
D. 300,426	3/1989	Lotz	D13/184 X
D. 319,425	8/1991	Bibbiani	D13/162 X
4,672,510	6/1987	Castner	361/394 X
4,912,604	3/1990	Vaisanen	361/395 X
4,922,407	5/1990	Birk et al.	361/394 X

OTHER PUBLICATIONS

Dialer and logger on p. 176 of *Control Engineering*, Sep. 1989.

Controller on p. 227 of *Control Engineering*, Sep. 1989. Programmable controller on p. 99 of *Control Engineering*, Nov. 1989. Controller US-5000 on p. 72 of *Electrical Construction & Maintenance*, Dec. 1989.

Primary Examiner—Wallace R. Burke
Assistant Examiner—Joel Sincavage
Attorney, Agent, or Firm—Roy W. Truelson

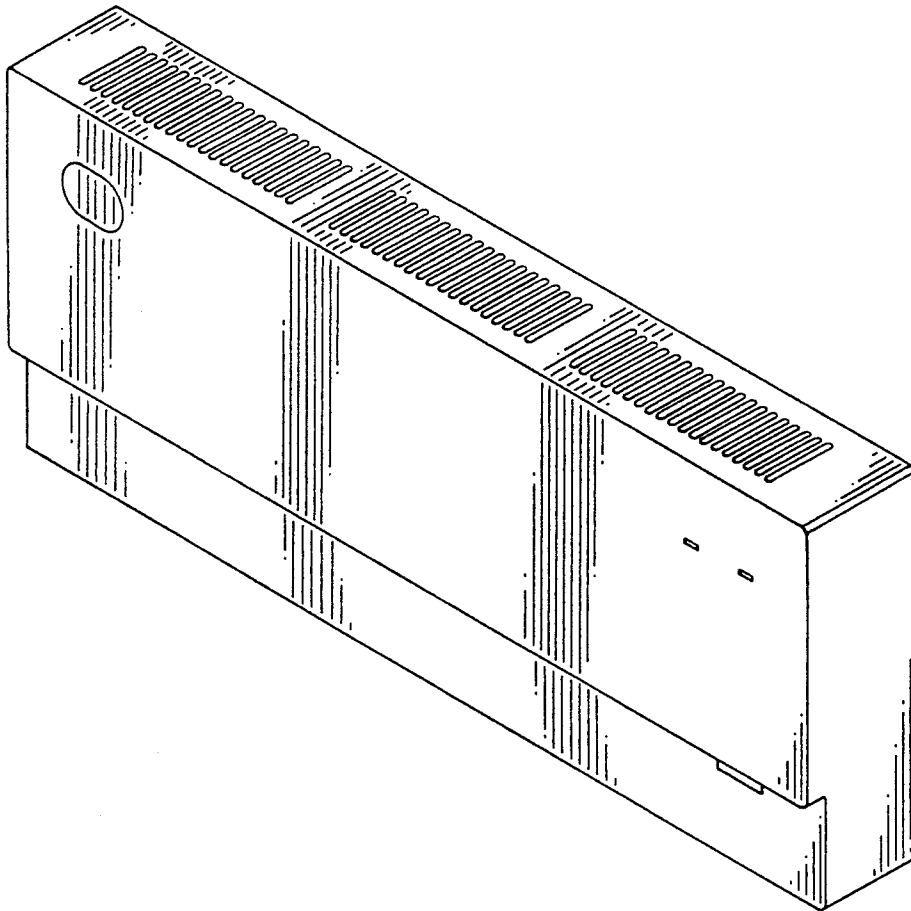
[57] **CLAIM**

The ornamental design for an enclosure for a programmable input/output controller, as shown and described.

DESCRIPTION

FIG. 1 is a top, front, right side perspective view of an enclosure for a programmable input/output controller showing my new design;
FIG. 2 is a front elevation thereof;
FIG. 3 is a rear elevation thereof;
FIG. 4 is a bottom plan thereof;
FIG. 5 is an enlarged partial sectional view taken on line 5—5 of FIG. 2; and,
FIG. 6 is a bottom, rear, left side perspective view thereof.

The left side of the enclosure is identical to the right side shown in FIG. 1.



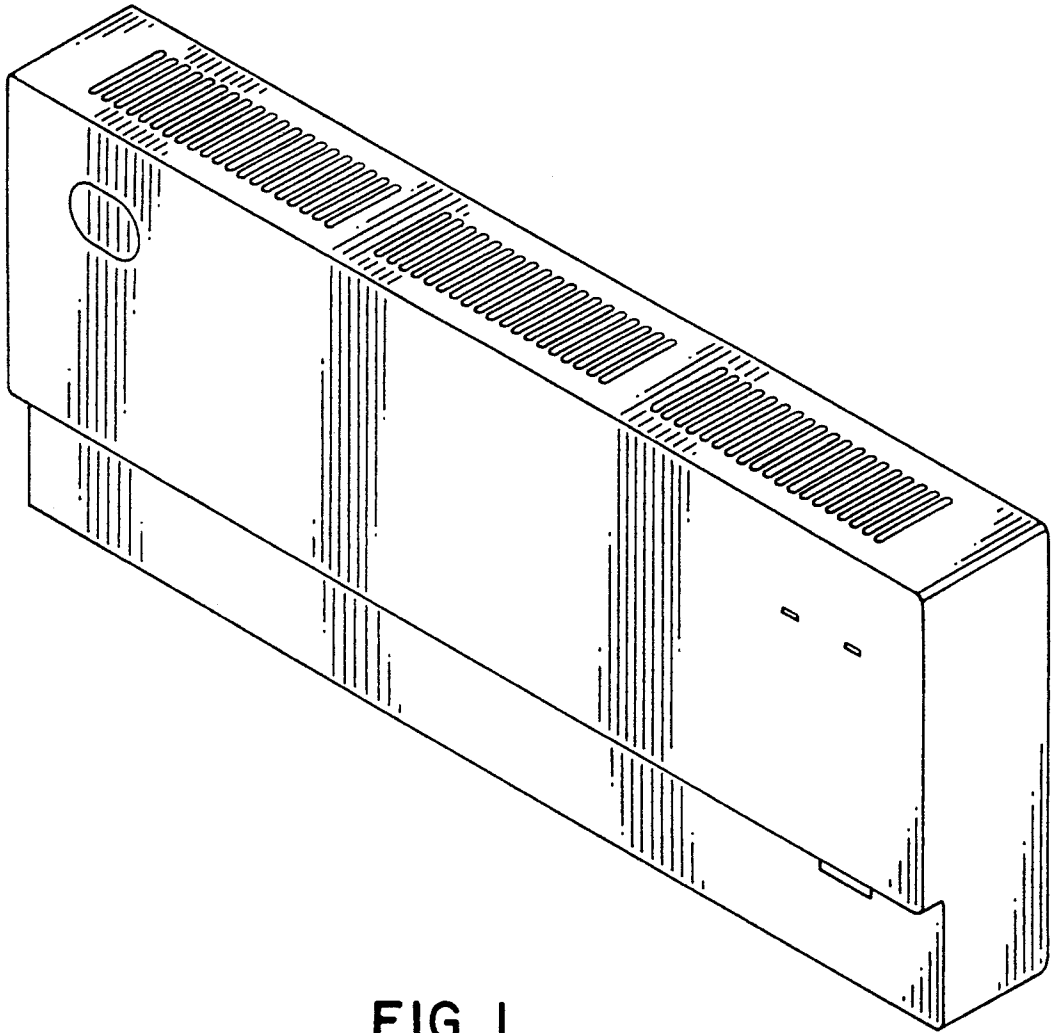


FIG. 1

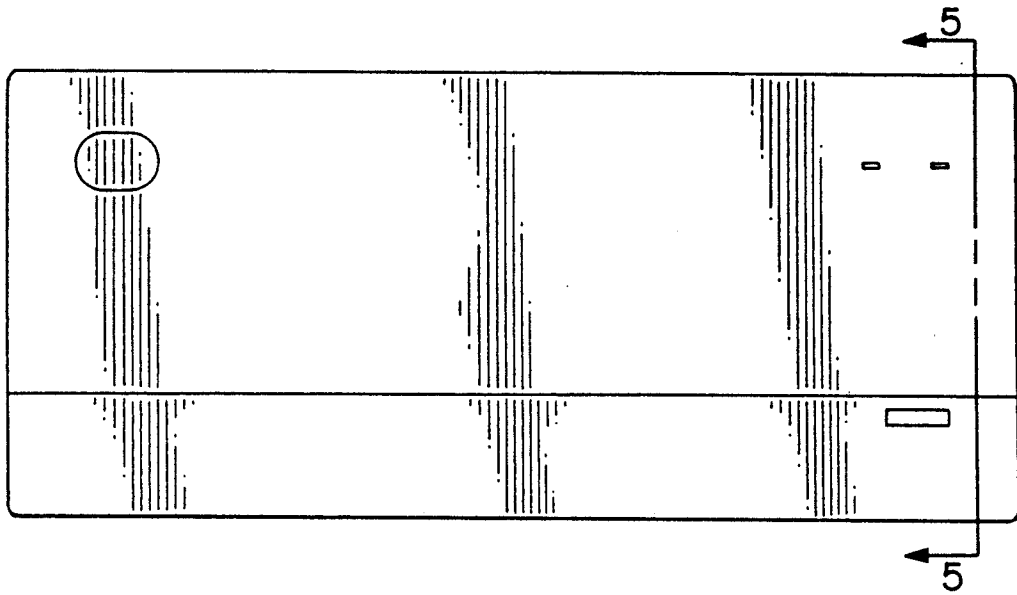


FIG. 2

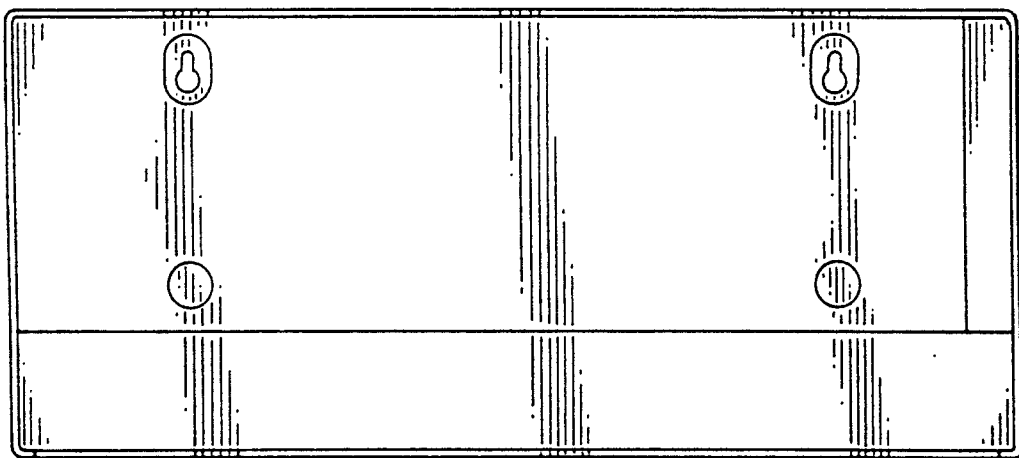


FIG. 3

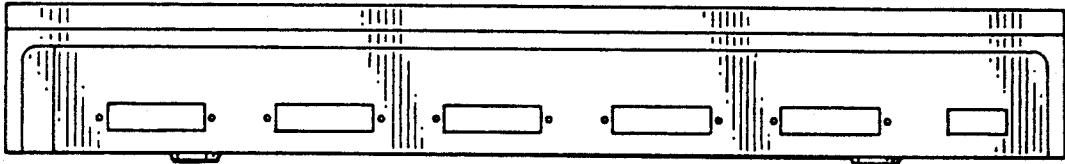


FIG. 4

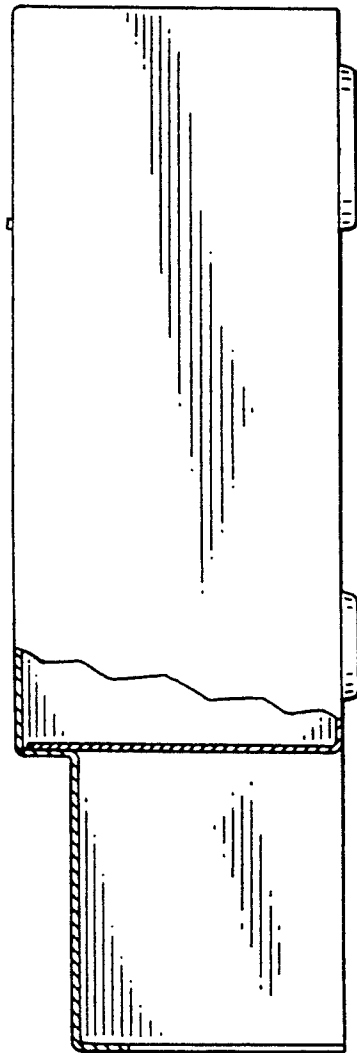


FIG. 5

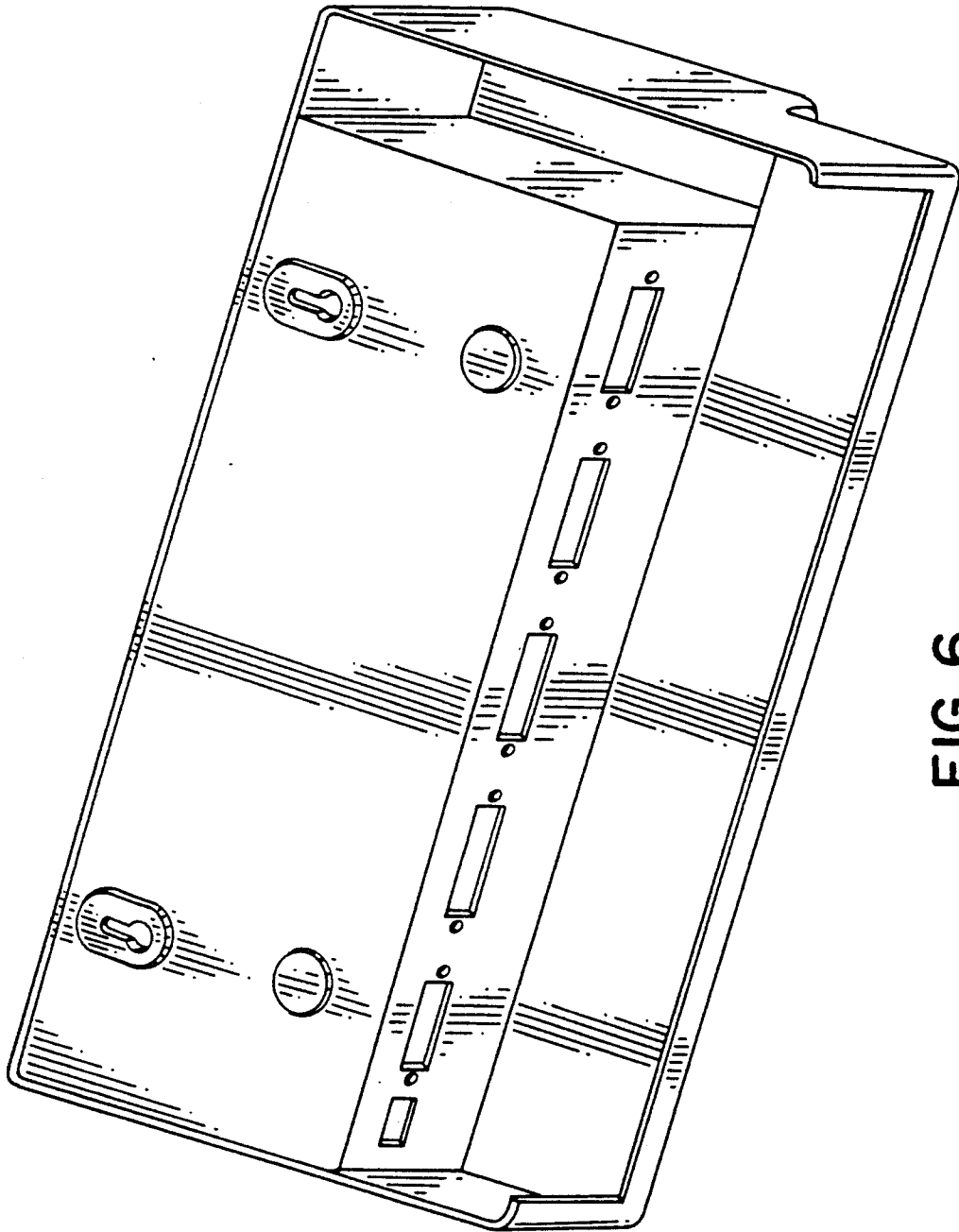


FIG. 6