



US00D990232S

(12) **United States Design Patent**
Vartanian et al.

(10) **Patent No.:** **US D990,232 S**
(45) **Date of Patent:** **** Jun. 27, 2023**

- (54) **GAS GRILL BURNER**
- (71) Applicant: **American Heating Technologies Inc.,**
Los Angeles, CA (US)
- (72) Inventors: **Raymond Vartanian,** Glendale, CA
(US); **Armond Vartanian,** Glendale,
CA (US)
- (**) Term: **15 Years**
- (21) Appl. No.: **29/788,583**
- (22) Filed: **Jun. 28, 2021**
- (51) **LOC (14) Cl.** **07-02**
- (52) **U.S. Cl.**
USPC **D7/407; D23/323**
- (58) **Field of Classification Search**
USPC D7/402-409, 339-340, 346-349,
D7/328-329, 332-334, 337, 390, 396.6,
D7/354, 355, 336, 388-389, 350.4, 350.1,
D7/351, 363, 352, 359, 362, 360, 335;
D23/338, 415, 323; D22/112; D6/664,
D6/699.3
CPC .. A47J 37/0704; A47J 37/0763; A47J 37/108;
A47J 37/0623; A47J 37/0629; A47J
37/0664; A47J 37/067; A47J 37/0694;
A47J 36/26; F24C 3/14; F24C 15/107;
F24C 15/16; F24C 15/22; F24C 15/162;
F24C 7/087
See application file for complete search history.

D255,314 S *	6/1980	Huff	D7/407
D368,829 S *	4/1996	Giebel	D7/407
D369,720 S *	5/1996	Giebel	D7/407
6,553,986 B1 *	4/2003	Liu	F23D 14/105 431/278
D534,767 S *	1/2007	Tseng	D7/407
D536,080 S *	1/2007	Folkers	D23/323
D549,306 S *	8/2007	Folkers	D23/323
D589,749 S *	4/2009	Leavens	D7/407
D793,806 S *	8/2017	Moy	D7/407
D921,430 S *	6/2021	Chang	D7/407
2009/0205631 A1 *	8/2009	Tsung	F23D 14/045 431/264

* cited by examiner

Primary Examiner — Nicole C Shiflet
(74) *Attorney, Agent, or Firm* — Phil IP Law Inc.; Narek Zohrabyan; Karen Kirk Galoyan

(57) **CLAIM**

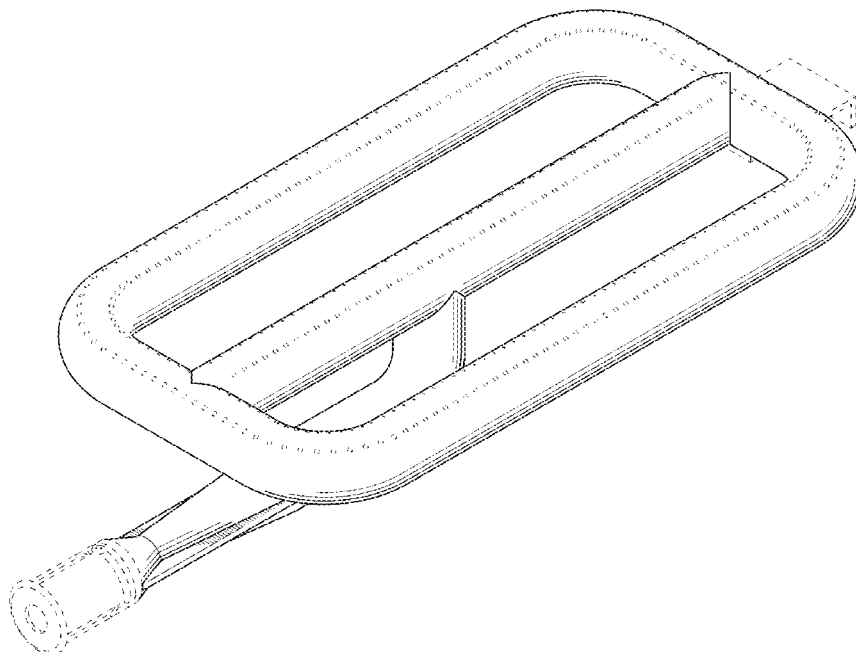
The ornamental design for a gas grill burner, as shown and described.

DESCRIPTION

FIG. 1 is a top, front, right side perspective view of a gas grill burner;
FIG. 2 is a front elevation view of the gas grill burner;
FIG. 3 is a rear elevation view of the gas grill burner;
FIG. 4 is a left side elevation view of the gas grill burner;
FIG. 5 is a right side elevation view of the gas grill burner;
FIG. 6 is a top plan view of the gas grill burner; and,
FIG. 7 is a bottom plan view of the gas grill burner.
The broken dashed lines shown are included for the purpose of illustrating the unclaimed portions of the gas grill burner and form no part of the claim.

1 Claim, 5 Drawing Sheets

- (56) **References Cited**
U.S. PATENT DOCUMENTS
1,224,157 A * 5/1917 Fry F23D 14/08
431/278
1,515,067 A * 11/1924 Olsen, Jr. F24C 3/10
126/39 J



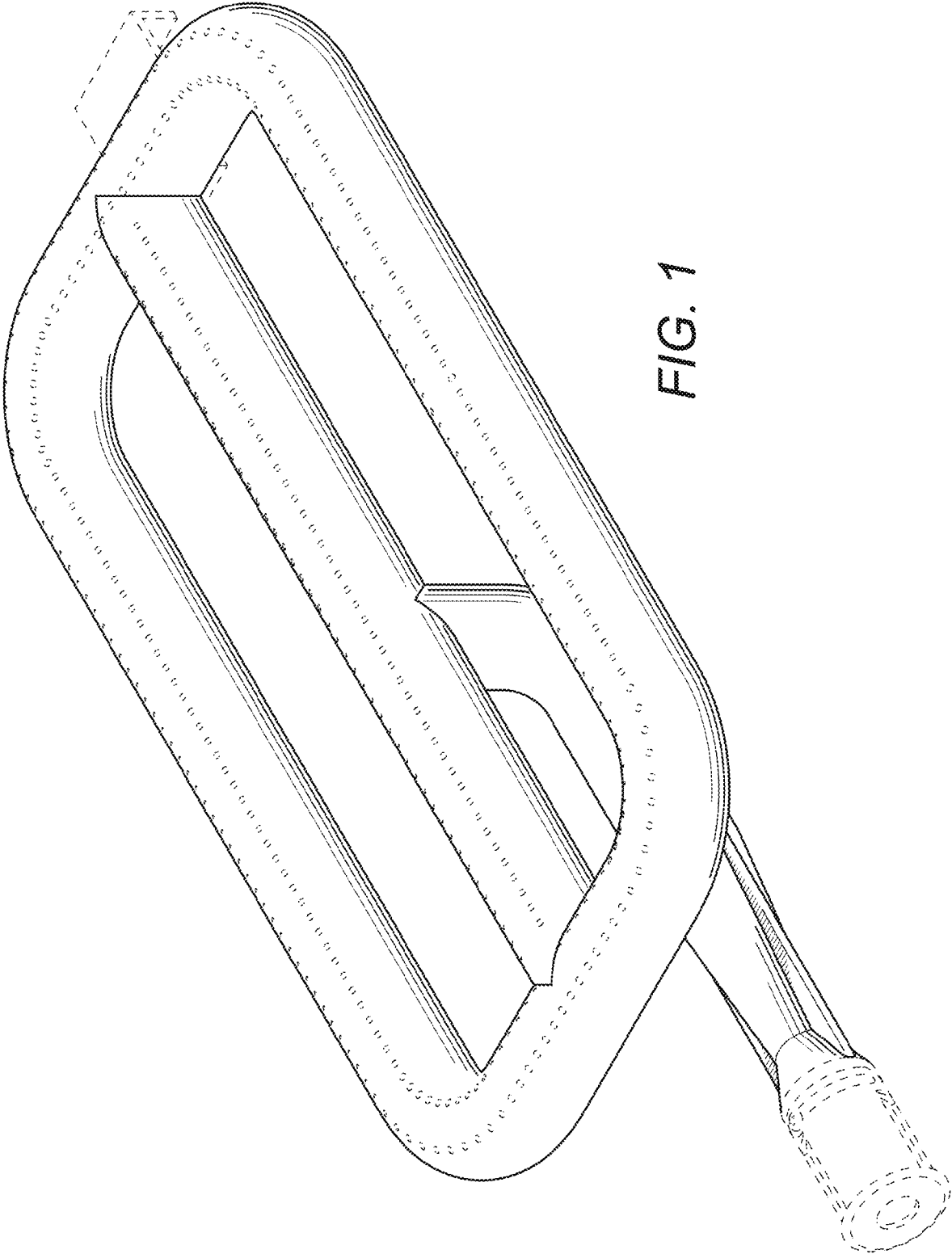


FIG. 1

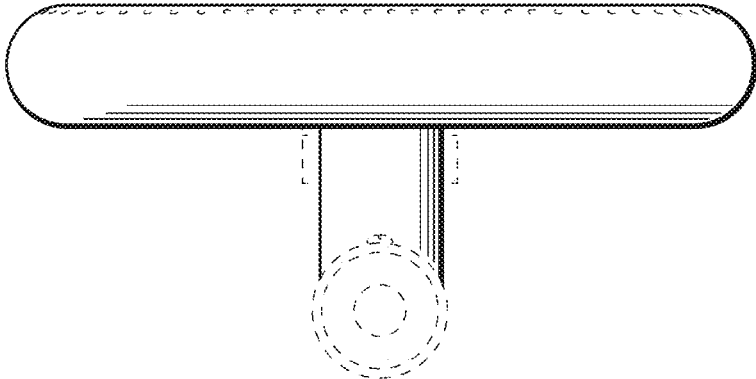


FIG. 2

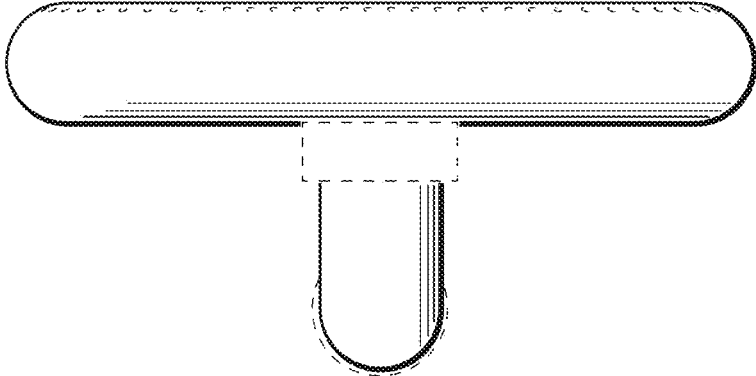


FIG. 3

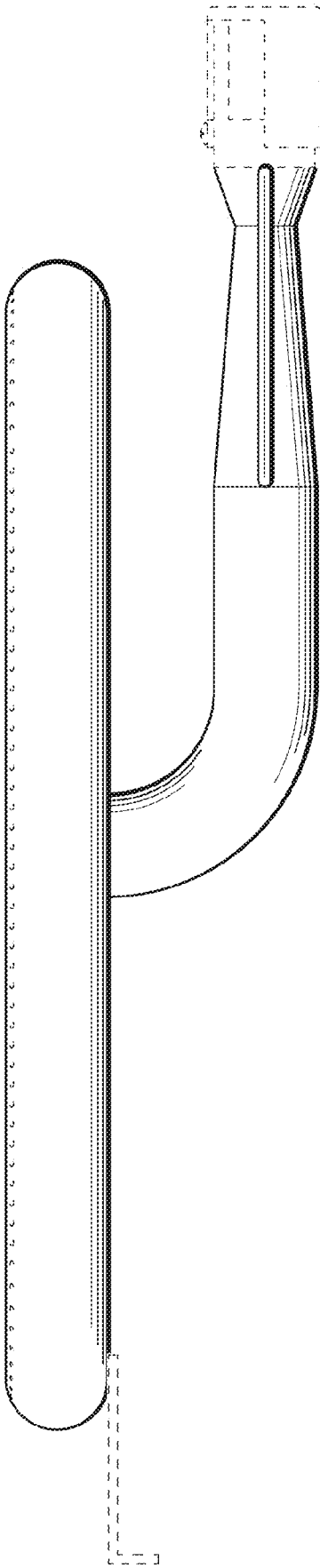


FIG. 4

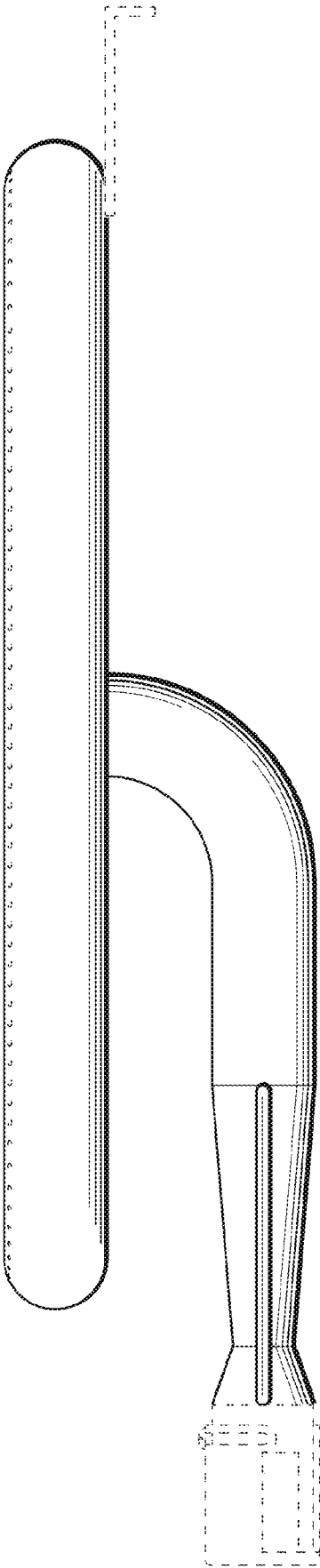


FIG. 5

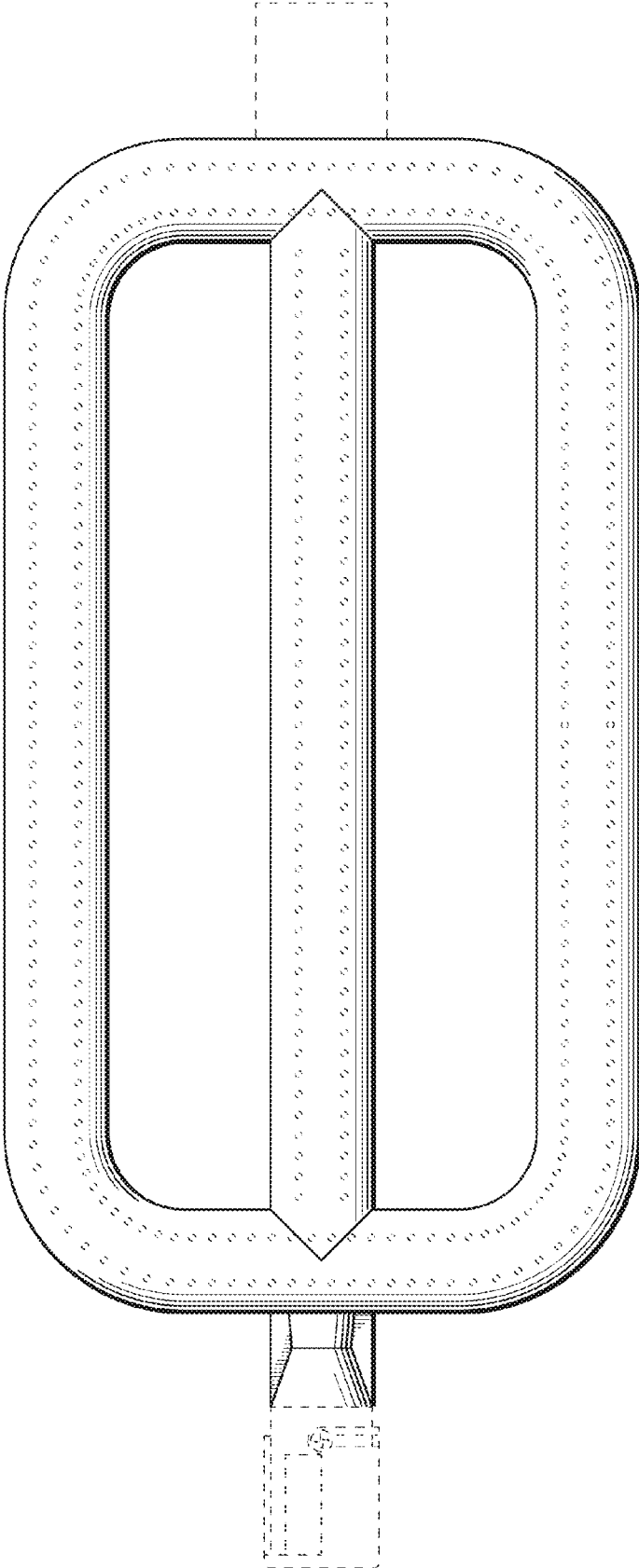


FIG. 6

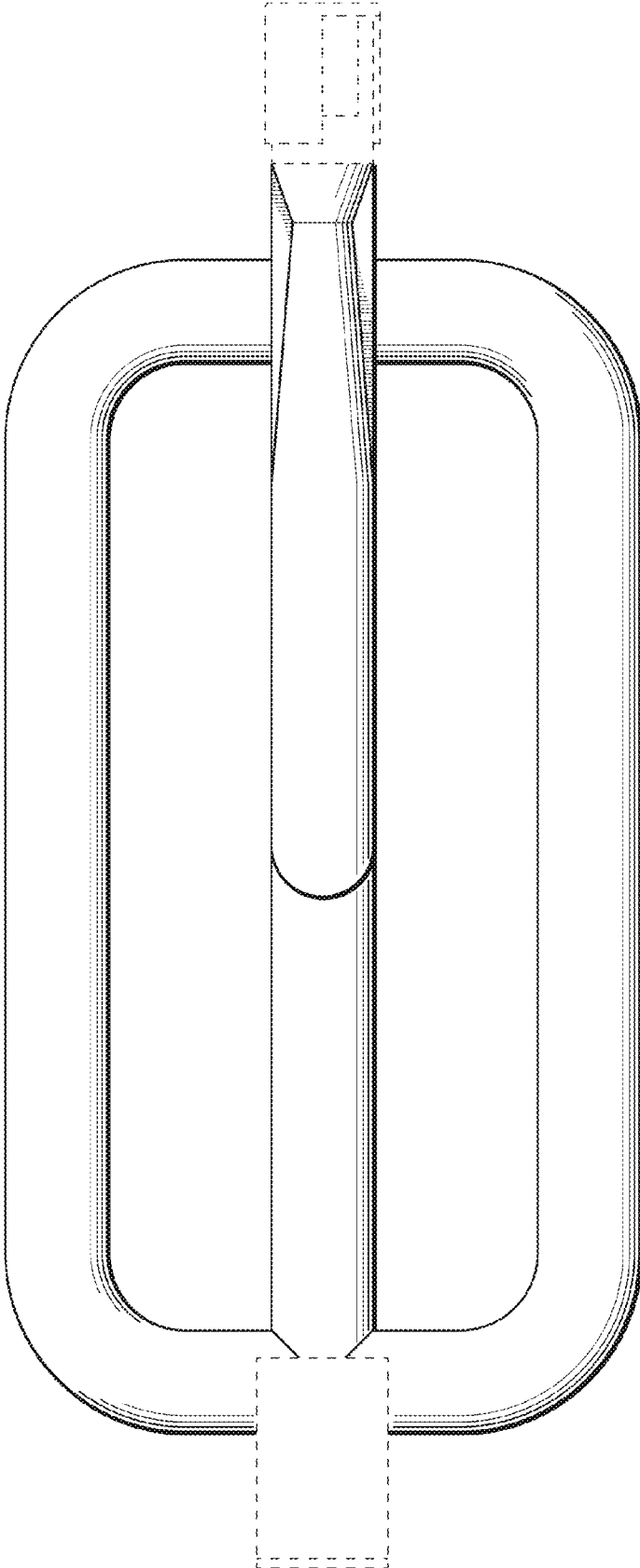


FIG. 7