



- (51) **International Patent Classification:**
F42B 7/08 (2006.01) F42B 10/04 (2006.01)
F42B 7/10 (2006.01)
- (21) **International Application Number:**
PCT/US2012/034167
- (22) **International Filing Date:**
19 April 2012 (19.04.2012)
- (25) **Filing Language:** English
- (26) **Publication Language:** English
- (30) **Priority Data:**
61/478,139 22 April 2011 (22.04.2011) US
- (72) **Inventor; and**
- (71) **Applicant : ECKSTEIN, Donald, B.** [US/US]; 6105 Harvester Court, Burke, VA 22015 (US).
- (74) **Agent: DOWNEY, Robert, M.;** Robert M. Downey, P.A., 6751 N. Federal Highway, Suite 300, Boca Raton, FL 33487 (US).
- (81) **Designated States** (*unless otherwise indicated, for every kind of national protection available*): AE, AG, AL, AM, AO, AT, AU, AZ, BA, BB, BG, BH, BR, BW, BY, BZ,

CA, CH, CL, CN, CO, CR, CU, CZ, DE, DK, DM, DO, DZ, EC, EE, EG, ES, FI, GB, GD, GE, GH, GM, GT, HN, HR, HU, ID, IL, IN, IS, JP, KE, KG, KM, KN, KP, KR, KZ, LA, LC, LK, LR, LS, LT, LU, LY, MA, MD, ME, MG, MK, MN, MW, MX, MY, MZ, NA, NG, NI, NO, NZ, OM, PE, PG, PH, PL, PT, QA, RO, RS, RU, RW, SC, SD, SE, SG, SK, SL, SM, ST, SV, SY, TH, TJ, TM, TN, TR, TT, TZ, UA, UG, US, UZ, VC, VN, ZA, ZM, ZW.

(84) **Designated States** (*unless otherwise indicated, for every kind of regional protection available*): ARIPO (BW, GH, GM, KE, LR, LS, MW, MZ, NA, RW, SD, SL, SZ, TZ, UG, ZM, ZW), Eurasian (AM, AZ, BY, KG, KZ, MD, RU, TJ, TM), European (AL, AT, BE, BG, CH, CY, CZ, DE, DK, EE, ES, FI, FR, GB, GR, HR, HU, IE, IS, IT, LT, LU, LV, MC, MK, MT, NL, NO, PL, PT, RO, RS, SE, SI, SK, SM, TR), OAPI (BF, BJ, CF, CG, CI, CM, GA, GN, GQ, GW, ML, MR, NE, SN, TD, TG).

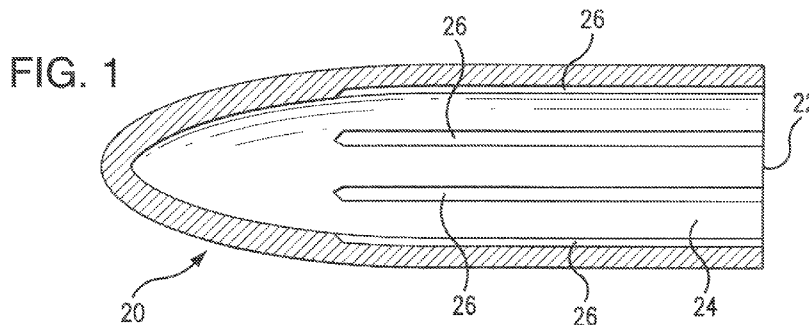
Published:
— with international search report (Art. 21(3))

(88) **Date of publication of the international search report:**
28 March 2013



WO 2012/145457 A3

(54) **Title:** TANDEM NESTED PROJECTILE ASSEMBLY



(57) **Abstract:** A projectile assembly (10) includes an individual projectile (20) and a composite projectile (30). The individual projectile (20) has a communicating portion (22). The composite projectile (30) includes at least one flechette (32). Prior to the projection of the projectile assembly (10), the composite projectile (30) is located adjacent to the communicating portion (22) of the individual projectile (20). The individual projectile (20) and the composite projectile (30) are structured and disposed for separating from one another after the initial projection of the projectile assembly (10).

A. CLASSIFICATION OF SUBJECT MATTER*F42B 7/08(2006.01)i, F42B 7/10(2006.01)i, F42B 10/04(2006.01)i*

According to International Patent Classification (IPC) or to both national classification and IPC

B. FIELDS SEARCHED

Minimum documentation searched (classification system followed by classification symbols)

F42B 7/08; F42B 14/06; F42B 12/02; F42B 8/14; F42B 10/32; F42B 12/64

Documentation searched other than minimum documentation to the extent that such documents are included in the fields searched

Korean utility models and applications for utility models

Japanese utility models and applications for utility models

Electronic data base consulted during the international search (name of data base and, where practicable, search terms used)

eKOMPASS(KIPO internal) & Keywords:"projectile", "flechette", and "weapon"

C. DOCUMENTS CONSIDERED TO BE RELEVANT

Category*	Citation of document, with indication, where appropriate, of the relevant passages	Relevant to claim No.
Y A	US 05375529 A (KNIGHT, JR.; C. REED et al.) 27 December 1994 See column 3, lines 27 - 52 and figures 1, 4.	1, 18, 19 2-17, 20-40
Y A	US 05796031 A (SIGLER; JOHN W.) 18 August 1998 See column 2, lines 35 - 40 and figure 2D.	1, 18, 19 2-17, 20-40
A	US 05035183 A (LUXTON; DAVID) 30 July 1991 See column 3, lines 3 - 5, lines 26 - 34 and figures 1a, 3.	1-40
A	US 05440994 A (ALEXANDER; WILLIAM) 15 August 1995 See column 4, lines 29 - 33 and figure 1.	1-40

 Further documents are listed in the continuation of Box C. See patent family annex.

* Special categories of cited documents:

"A" document defining the general state of the art which is not considered to be of particular relevance

"E" earlier application or patent but published on or after the international filing date

"L" document which may throw doubts on priority claim(s) or which is cited to establish the publication date of citation or other special reason (as specified)

"O" document referring to an oral disclosure, use, exhibition or other means

"P" document published prior to the international filing date but later than the priority date claimed

"T" later document published after the international filing date or priority date and not in conflict with the application but cited to understand the principle or theory underlying the invention

"X" document of particular relevance; the claimed invention cannot be considered novel or cannot be considered to involve an inventive step when the document is taken alone

"Y" document of particular relevance; the claimed invention cannot be considered to involve an inventive step when the document is combined with one or more other such documents, such combination being obvious to a person skilled in the art

"&" document member of the same patent family

Date of the actual completion of the international search

28 NOVEMBER 2012 (28.11.2012)

Date of mailing of the international search report

30 NOVEMBER 2012 (30.11.2012)

Name and mailing address of the ISA/KR

Korean Intellectual Property Office
189 Cheongsu-ro, Seo-gu, Daejeon Metropolitan
City, 302-701, Republic of Korea

Facsimile No. 82-42-472-7140

Authorized officer

HAN, JAE SEOB

Telephone No. 82-42-481-5439



INTERNATIONAL SEARCH REPORT

Information on patent family members

International application No.

PCT/US2012/034167

Patent document cited in search report	Publication date	Patent family member(s)	Publication date
US 05375529 A	27.12.1994	EP 0616684 A1	28.09.1994
		EP 0616684 A1	07.03.2001
		KR 10-1994-0703011 A	17.09.1994
		WO 93-08442 A1	29.04.1993
US 05796031 A	18.08.1998	EP 0857940 A1	12.08.1998
		EP 0857940 B1	21.08.2002
US 05035183 A	30.07.1991	CA 2038100 C	22.05.2001
		EP 0521008 A1	07.01.1993
		EP 0521008 B1	25.10.1995
		WO 91-14148 A1	19.09.1991
US 05440994 A	15.08.1995	None	