



(12) **United States Design Patent**  
**Eun-Sun et al.**

(10) **Patent No.:** **US D693,073 S**  
(45) **Date of Patent:** **\*\* Nov. 5, 2013**

(54) **VACUUM CLEANER**

(75) Inventors: **Lim Eun-Sun**, Kyuggido (KR); **Hyung Jun Kim**, Seoul (KR); **Dong Won Chun**, Kyunggi-do (KR)

(73) Assignee: **Samsung Electronics Co., Ltd.**, Gyeonggi-do (KR)

(\*\*) Term: **14 Years**

(21) Appl. No.: **29/410,971**

(22) Filed: **Jan. 13, 2012**

(51) **LOC (9) Cl.** ..... **15-05**

(52) **U.S. Cl.**  
USPC ..... **D32/22**

(58) **Field of Classification Search**  
USPC ..... D32/22, 30-31, 34; 55/429, 337, 55/DIG. 3; 15/410, 347, 328, 350, 352, 15/353, 361, DIG. 8, 246.2, 320  
See application file for complete search history.

(56) **References Cited**

**U.S. PATENT DOCUMENTS**

D462,813 S \* 9/2002 Nakano et al. .... D32/22  
D587,870 S \* 3/2009 Baek et al. .... D32/22

D610,317 S \* 2/2010 Lee et al. .... D32/22  
D610,318 S \* 2/2010 Shin ..... D32/22  
D633,264 S \* 2/2011 Lee ..... D32/22  
D652,589 S \* 1/2012 Lee ..... D32/22  
D670,878 S \* 11/2012 Lee ..... D32/22  
2013/0007982 A1\* 1/2013 Yun ..... 15/347

\* cited by examiner

*Primary Examiner* — Ruth McInroy

(74) *Attorney, Agent, or Firm* — Harness, Dickey & Pierce, P.L.C.

(57) **CLAIM**

We claim the ornamental design for a vacuum cleaner, as shown and described.

**DESCRIPTION**

FIG. 1 is a top, front and right-side perspective view of a vacuum cleaner showing our new design;  
FIG. 2 is a front elevational view thereof;  
FIG. 3 is a rear elevational view thereof;  
FIG. 4 is a left side elevational view thereof;  
FIG. 5 is a right side elevational view thereof; and,  
FIG. 6 is a top plan view thereof.

**1 Claim, 6 Drawing Sheets**

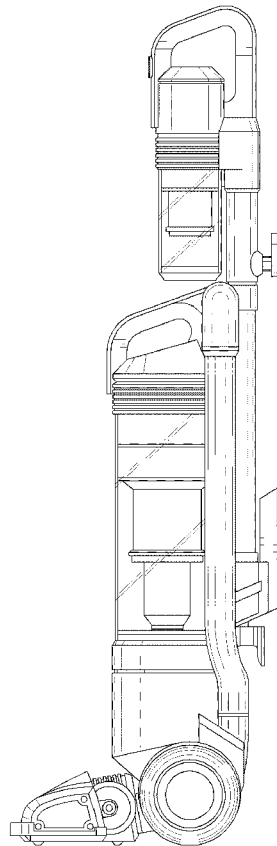
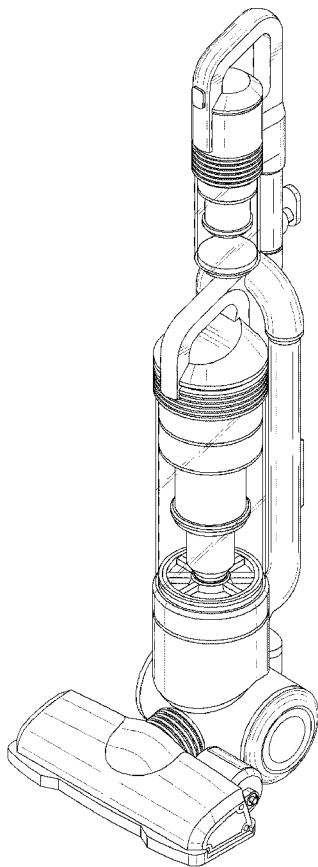


FIG. 1

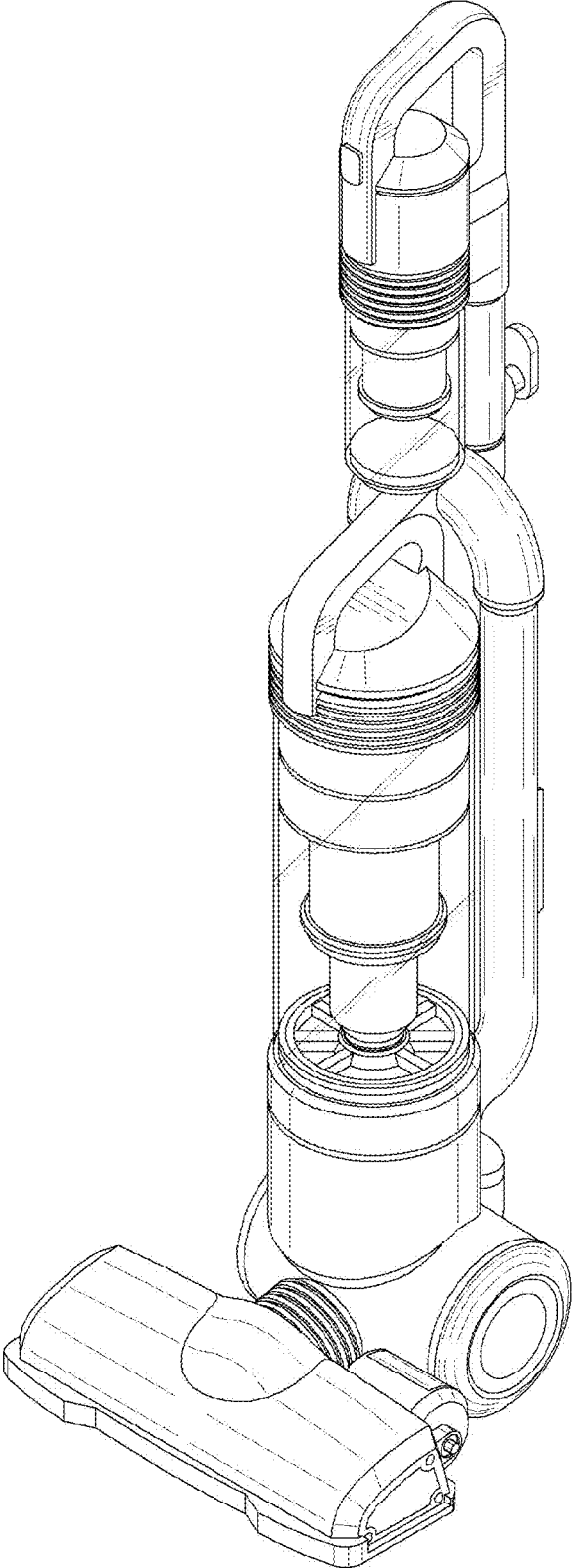


FIG. 2

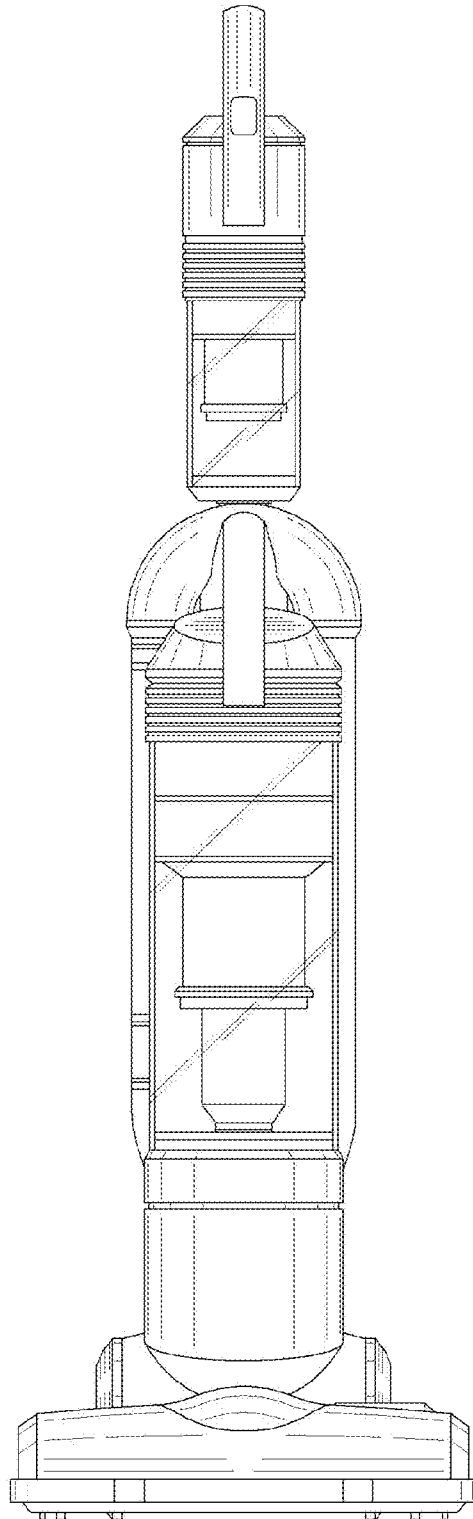


FIG. 3

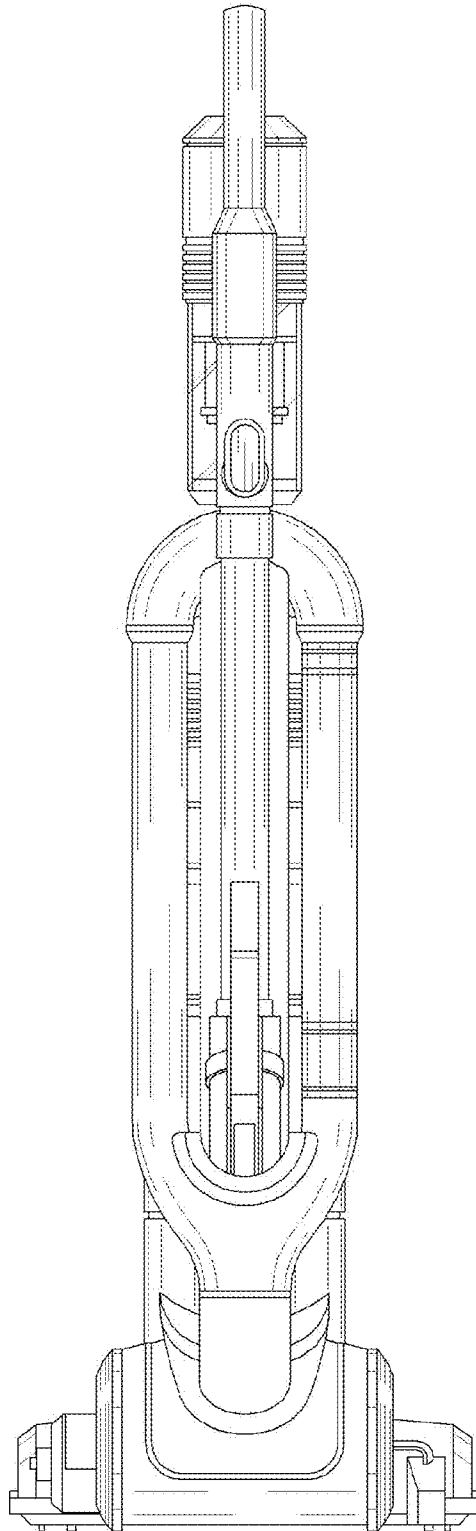


FIG. 4

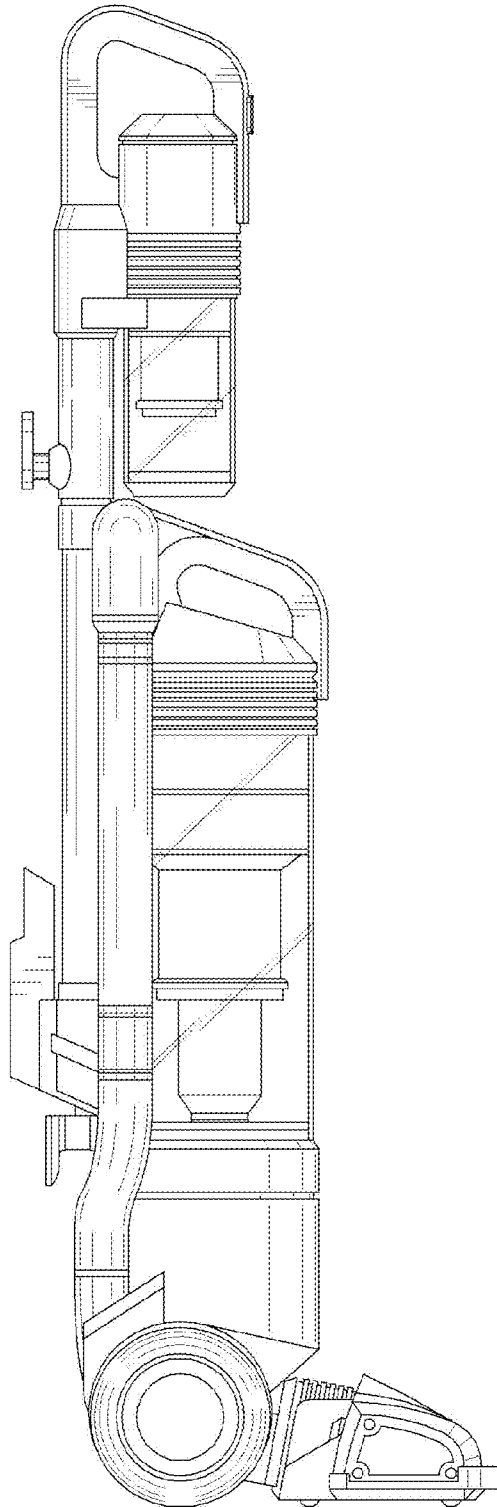


FIG. 5

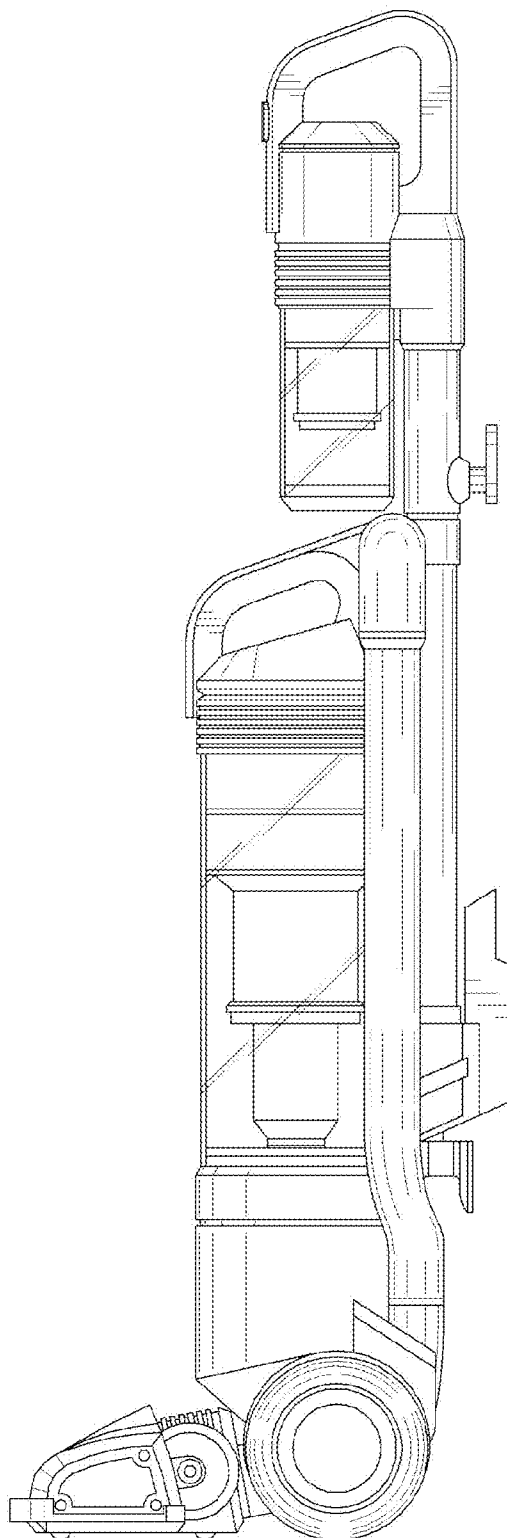


FIG. 6

