



US00D749693S

(12) **United States Design Patent**
Evans et al.

(10) **Patent No.:** **US D749,693 S**

(45) **Date of Patent:** **** Feb. 16, 2016**

- (54) **SPRAY DEVICE NOZZLE**
- (71) Applicant: **Talley Group Limited**, Romsey (GB)
- (72) Inventors: **Christopher Peter Evans**, Romsey (GB); **John James Henry Evans**, Romsey (GB)
- (73) Assignee: **TALLEY GROUP LIMITED**, Romsey (GB)
- (**) Term: **14 Years**
- (21) Appl. No.: **29/513,408**
- (22) Filed: **Dec. 30, 2014**

D307,112 S	4/1990	Huck	
D337,368 S	7/1993	Berfield et al.	
6,000,633 A *	12/1999	Lund	B05B 1/00 222/108
6,089,477 A	7/2000	Dillon	
6,729,558 B1	5/2004	Seenauth	
7,128,283 B1 *	10/2006	Shahin	B05B 1/042 239/591
D532,863 S *	11/2006	Mather	D23/213
D532,864 S *	11/2006	Mather	D23/213
D547,416 S	7/2007	Hillhouse	
D567,897 S	4/2008	Hillhouse	
D568,439 S *	5/2008	Fulkerson	D23/213
D569,477 S *	5/2008	Fulkerson	D23/213
7,367,518 B2 *	5/2008	Tanigaki	B05B 1/042 239/592
D570,447 S	6/2008	Hillhouse	
7,648,087 B2 *	1/2010	Horn	B05B 1/02 239/594
7,757,964 B2 *	7/2010	Hansson	B05B 7/025 138/104
D639,903 S *	6/2011	Plotzitzka	D23/213
8,079,534 B2 *	12/2011	Fecht	B05B 1/042 239/590.5
D670,356 S *	11/2012	Sanwald	D23/213
D705,894 S *	5/2014	Williams	D23/213

Related U.S. Application Data

- (62) Division of application No. 29/453,206, filed on Apr. 26, 2013, now Pat. No. Des. 728,067.

Foreign Application Priority Data

- Oct. 31, 2012 (EP) 001349930
- (51) **LOC (10) Cl.** **23-01**
- (52) **U.S. Cl.**
USPC **D23/213**
- (58) **Field of Classification Search**
USPC D23/213, 223, 226, 225; 239/290, 291,
239/526, 690, 691, 597, 601; 361/227, 228
CPC B05B 1/00
See application file for complete search history.

References Cited

U.S. PATENT DOCUMENTS

1,875,992 A	9/1932	Clifford
2,162,057 A	6/1939	Brandt et al.
4,801,088 A	1/1989	Baker

* cited by examiner

Primary Examiner — Robin V Webster
(74) *Attorney, Agent, or Firm* — Westman, Champlin & Koehler, P.A.; Z. Peter Sawicki

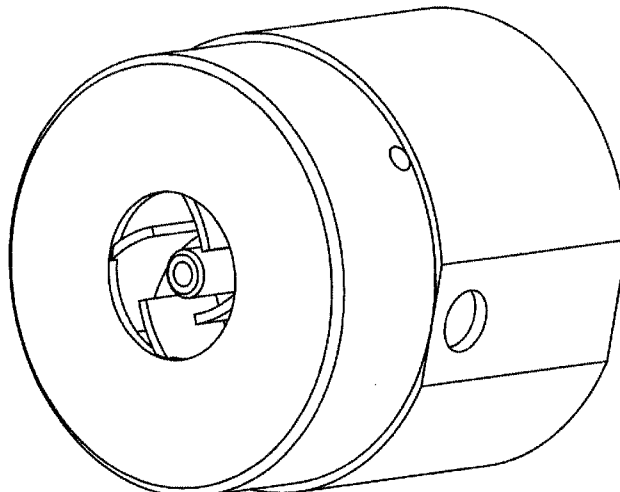
(57) **CLAIM**

The ornamental design for a spray device nozzle, as shown and described.

DESCRIPTION

FIG. 1 is perspective view of a spray device nozzle;
FIG. 2 is a front view of the nozzle;
FIG. 3 is a side view of the nozzle; and,
FIG. 4 is an opposite side view of the nozzle.

1 Claim, 3 Drawing Sheets



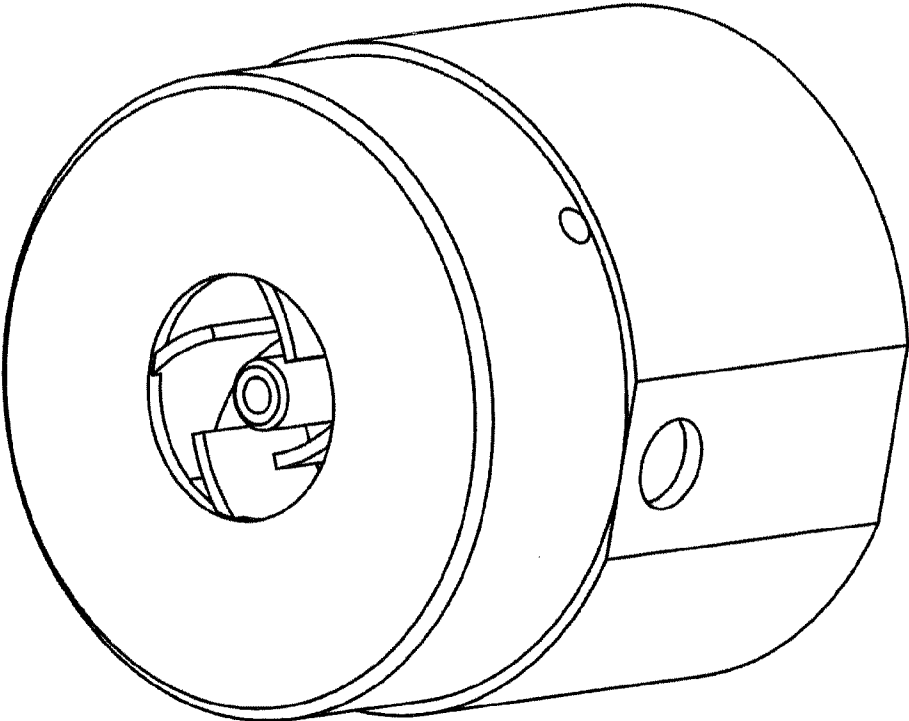


FIG. 1

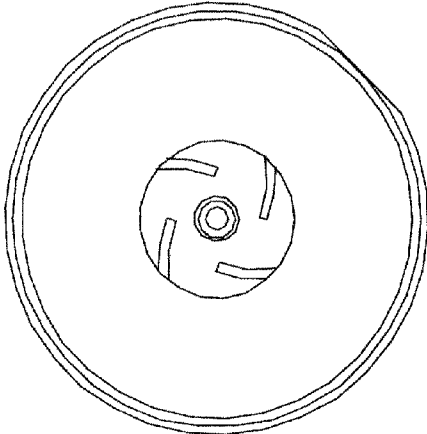


FIG. 2

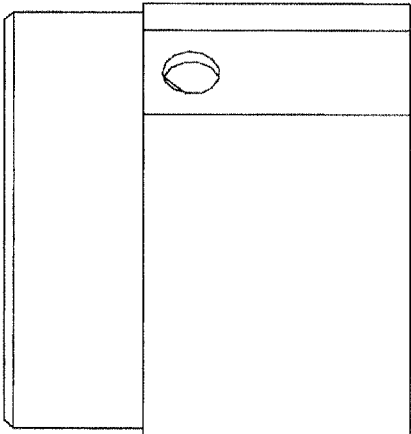


FIG. 3

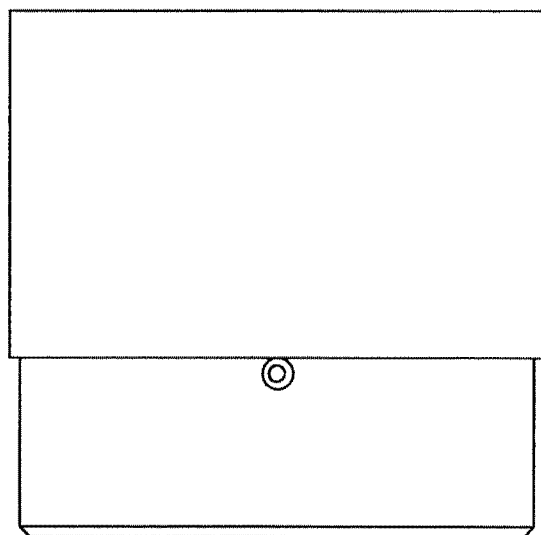


FIG. 4