

United States Patent [19]

Stout et al.

[11] Patent Number: Des. 293,857

[45] Date of Patent: ** Jan. 26, 1988

[54] **HOLSTER FOR PHARMACEUTICAL BOTTLE**

[75] Inventors: **James G. Stout; Brian D. Oyster,**
both of Alliance, Ohio

[73] Assignee: **Coastal Pet Products, Inc., Alliance,**
Ohio

[**] Term: **14 Years**

[21] Appl. No.: **742,530**

[22] Filed: **Jun. 7, 1985**

[52] U.S. Cl. **D3/106**

[58] Field of Search **D3/100, 101, 102-106;**
D2/630; 224/253, 148, 904; 220/85 H

[56] **References Cited**

U.S. PATENT DOCUMENTS

D. 171,359 1/1954 Keyston D2/630 X
D. 272,774 2/1984 Weissenburger D3/106
D. 280,256 8/1985 Miller D3/106

D. 281,830 12/1985 Hengesbach D3/106
D. 286,949 12/1986 Hardman D3/106
4,120,434 10/1978 Hewes 224/253 X
4,588,116 5/1986 Litman 224/253

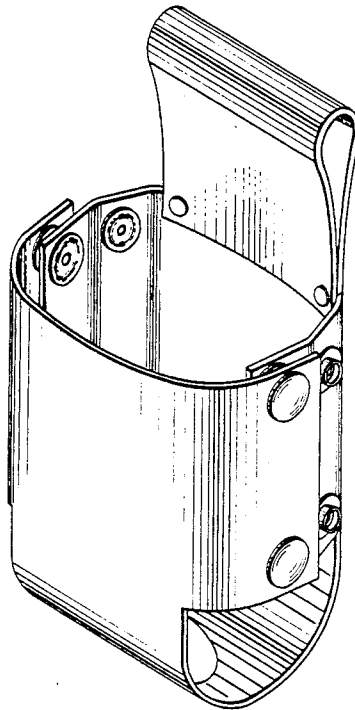
Primary Examiner—Carmen H. Vales
Attorney, Agent, or Firm—Michael Sand Co.

[57] **CLAIM**

The ornamental design for a holster for pharmaceutical bottle, as shown and described.

DESCRIPTION

FIG. 1 is a perspective view of a holster for pharmaceutical bottle showing my new design;
FIG. 2 is a front elevational view thereof;
FIG. 3 is a top plan view thereof;
FIG. 4 is a right side elevational view the left side being a mirror image thereof;
FIG. 5 is a bottom plan view thereof;
FIG. 6 is a rear elevational view thereof; and
FIG. 7 is a top plan view in a flat extended position.



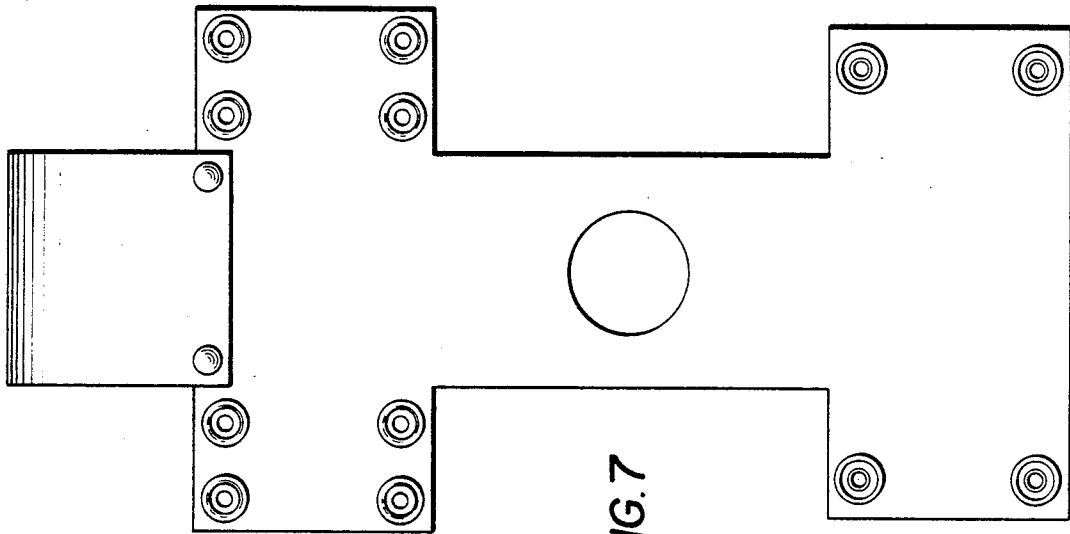


FIG. 7

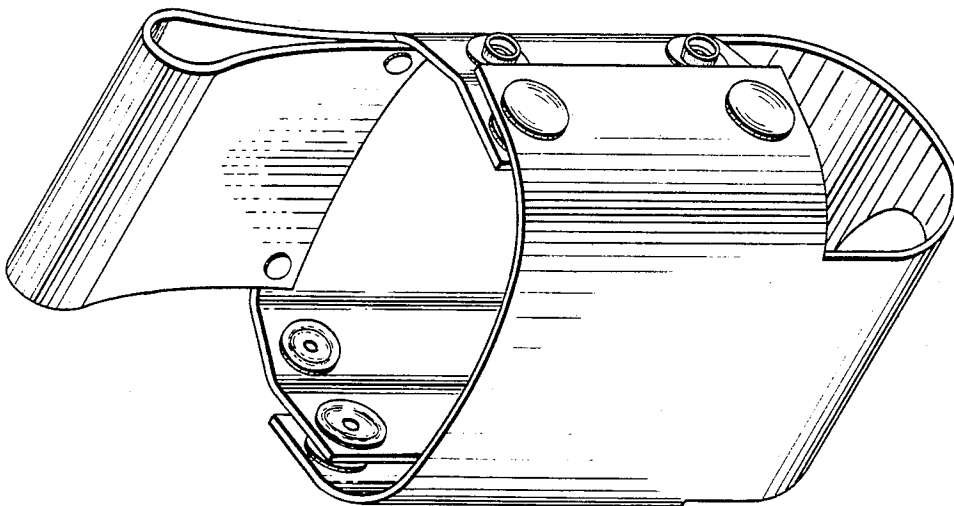


FIG. 1

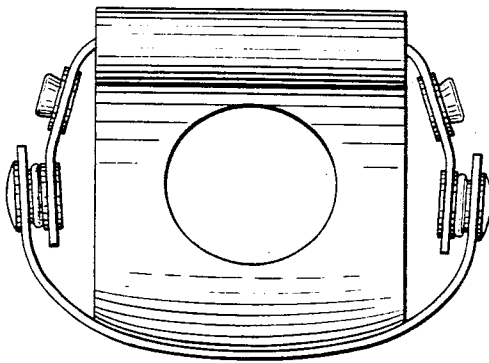


FIG. 3

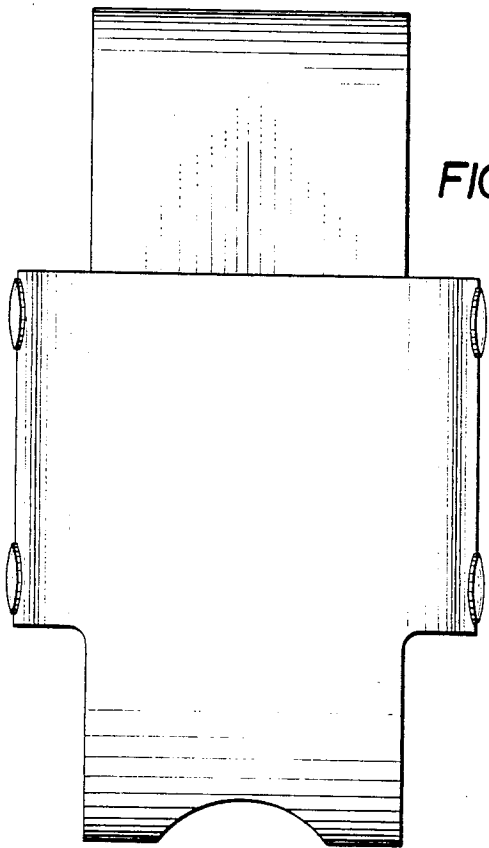


FIG. 2

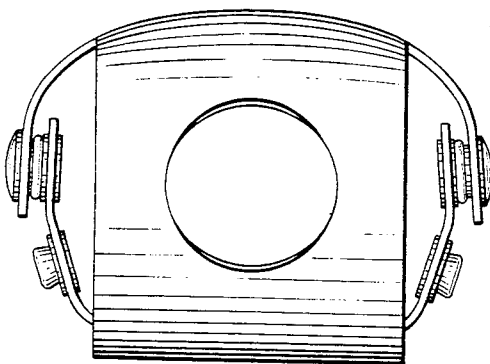


FIG. 5

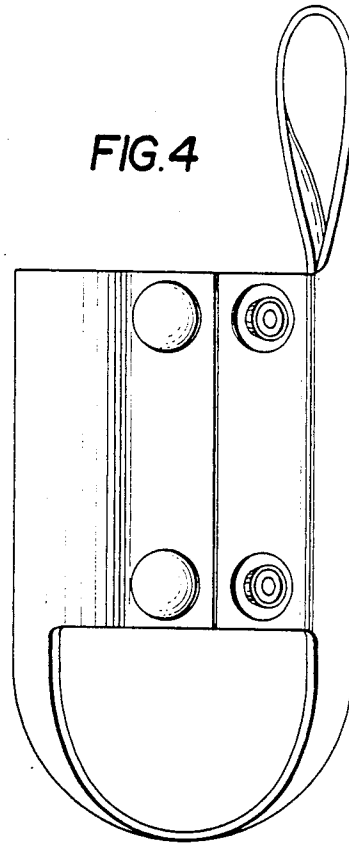


FIG. 4

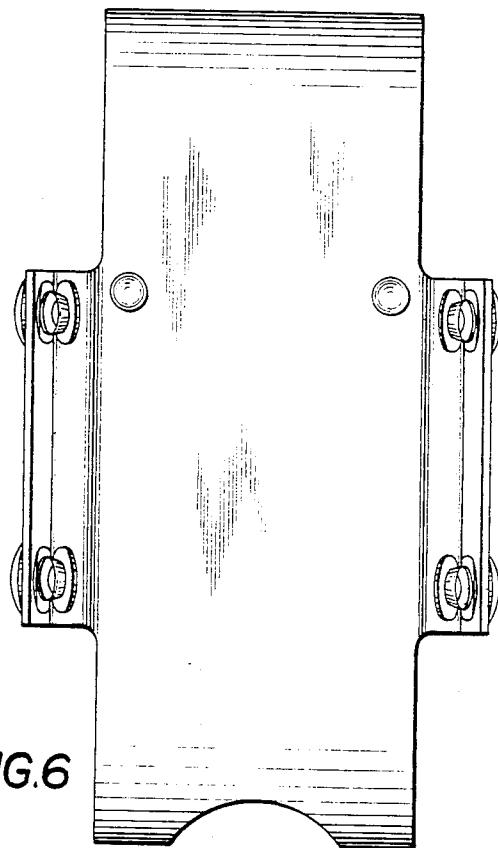


FIG. 6