



US00D438043S

(12) **United States Design Patent** (10) **Patent No.:** **US D438,043 S**  
**Hofman** (45) **Date of Patent:** **\*\* Feb. 27, 2001**

(54) **CADDY TOTE BASKET**

(75) Inventor: **James A. Hofman**, Hockessin, DE (US)

(73) Assignee: **Zenith Products Corp.**, New Castle, DE (US)

(\*\*) Term: **14 Years**

(21) Appl. No.: **29/119,522**

(22) Filed: **Mar. 2, 2000**

(51) **LOC (7) Cl.** ..... **06-04**

(52) **U.S. Cl.** ..... **D6/566; D3/305; D3/306; D3/307**

(58) **Field of Search** ..... **D6/566; D3/201, D3/304, 305, 306, 307, 308, 309, 315; 206/207, 581, 278, 315.1; 211/86-88, 181.1**

(56) **References Cited**

**U.S. PATENT DOCUMENTS**

D. 343,712 \* 1/1994 Linder ..... D3/306

D. 364,297 \* 11/1995 Daniel ..... D6/566 X  
D. 401,067 \* 11/1998 Hampshire ..... D3/309  
5,379,536 \* 1/1995 Lorenzana ..... 211/181.1 X

\* cited by examiner

*Primary Examiner*—Brian N. Vinson

(74) *Attorney, Agent, or Firm*—Edgar A. Zarins; Lloyd D. Doigan

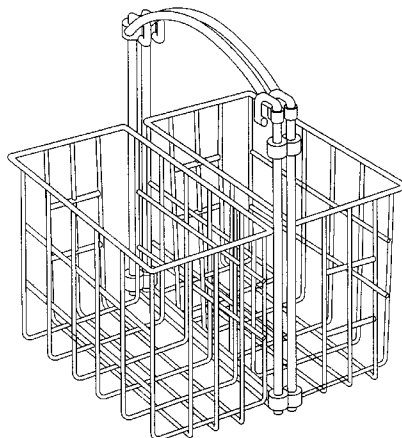
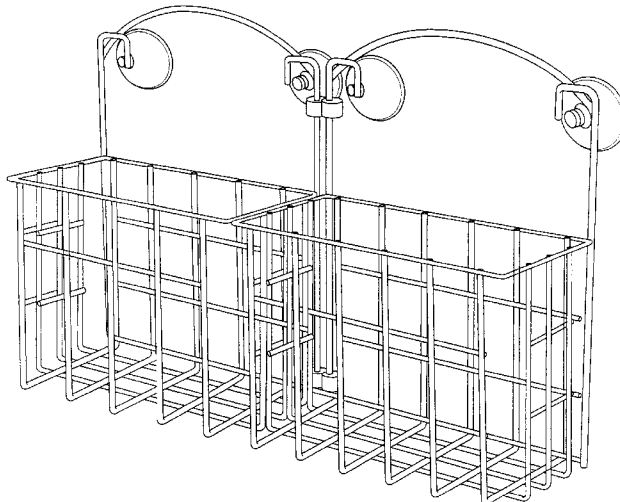
(57) **CLAIM**

The ornamental design for a caddy tote basket, as shown and described.

**DESCRIPTION**

FIG. 1 is a perspective view of a caddy tote basket showing my new design;  
FIG. 2 is a perspective view thereof in a closed position;  
FIG. 3 is a front elevational view thereof; and,  
FIG. 4 is a left side view thereof, the opposite side being a mirror image of the side shown.

**1 Claim, 2 Drawing Sheets**



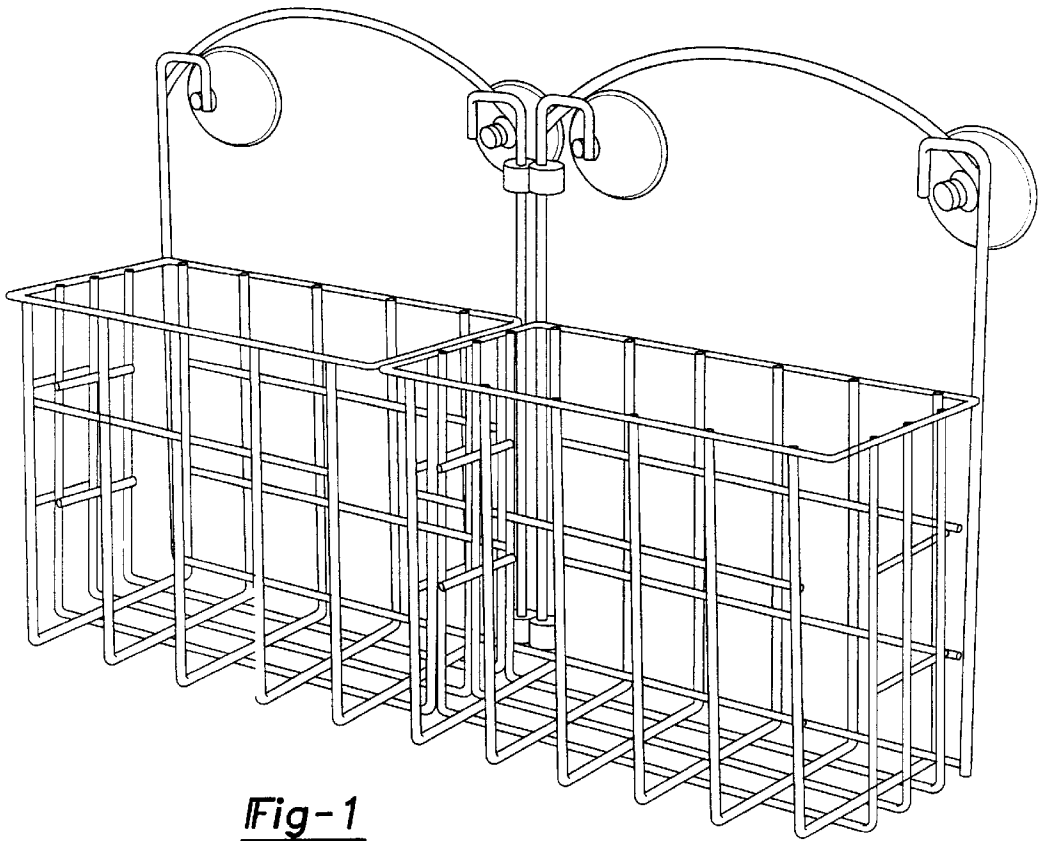


Fig-1

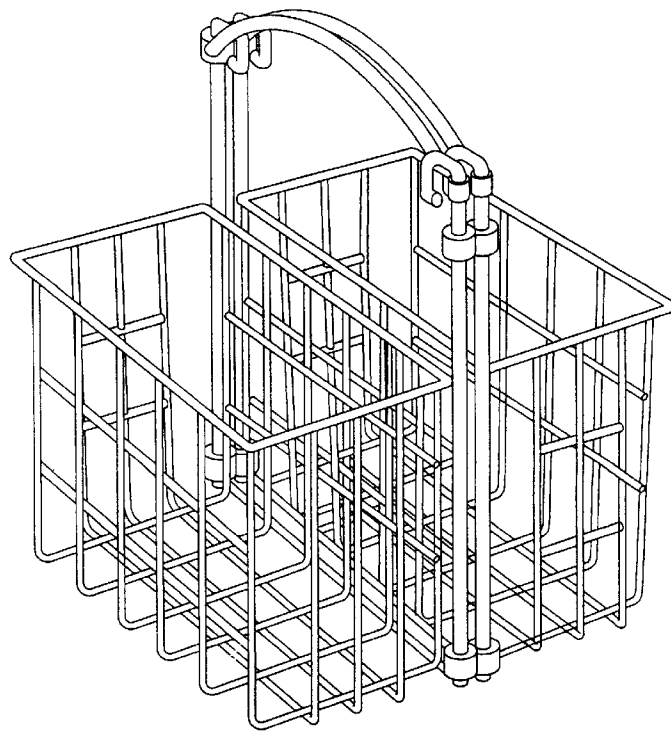


Fig-2

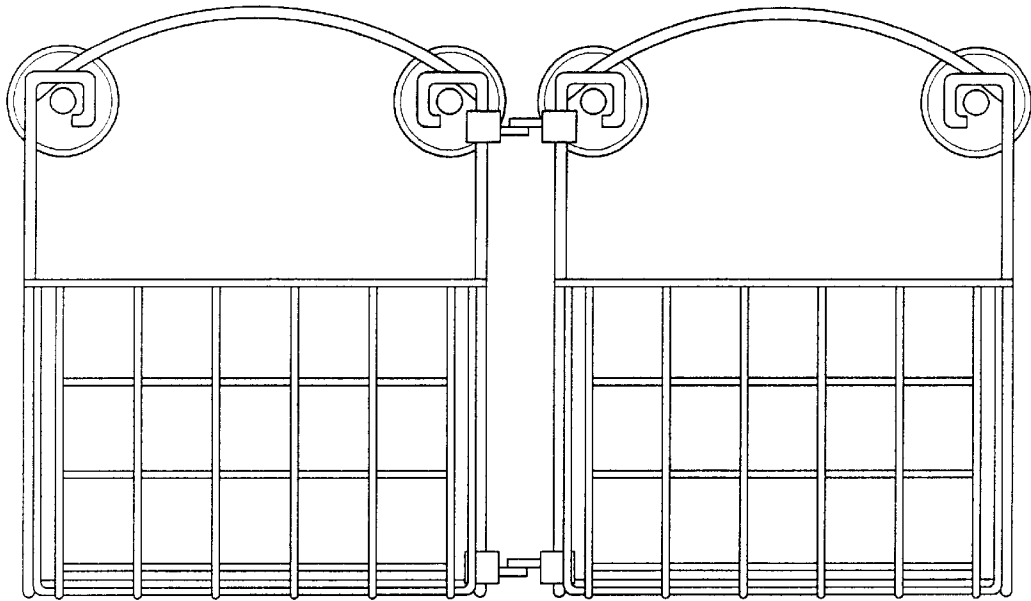


Fig-3

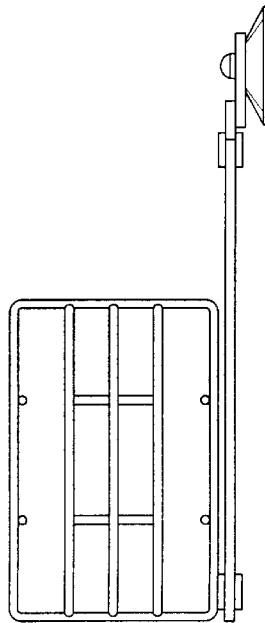


Fig-4