



US00D964355S

(12) **United States Design Patent**
Seo et al.

(10) **Patent No.:** **US D964,355 S**

(45) **Date of Patent:** **** Sep. 20, 2022**

(54) **ELECTRONIC DEVICE**

FOREIGN PATENT DOCUMENTS

(71) Applicant: **Samsung Electronics Co., Ltd.**,
Suwon-si (KR)

CN 305010147 * 1/2019
EM 003782556-0001 10/2017

(Continued)

(72) Inventors: **Yong Seo**, Suwon-si (KR); **Jae-Hyung Kim**, Suwon-si (KR); **Dae-Kyung Ahn**, Suwon-si (KR); **Kwan-Hee Lee**, Suwon-si (KR)

OTHER PUBLICATIONS

Microsoft Surface Duo, first available May 11, 2021 [online], [retrieved Apr. 15, 2022]. Available from the Internet, URL:<https://www.amazon.com/dp/B08M9BW43V/ref=cm_sw_em_r_mt_dp_BYD6ND659CMSRGHH41KG>. (Year: 2021).*

(Continued)

(**) Term: **15 Years**

Primary Examiner — Tracey J Bell

(21) Appl. No.: **29/736,508**

Assistant Examiner — Russell Carnell Smith, Jr.

(22) Filed: **Jun. 1, 2020**

(74) *Attorney, Agent, or Firm* — McAndrews Held & Malloy, Ltd.

(30) **Foreign Application Priority Data**

Dec. 6, 2019 (KR) 30-2019-0059083

(57) **CLAIM**

(51) **LOC (13) Cl.** **14-02**

The ornamental design for an electronic device, as shown and described.

(52) **U.S. Cl.**
USPC **D14/345**

(58) **Field of Classification Search**

USPC D14/341, 342, 343, 344, 345, 346, 347
CPC .. H04M 1/027; H04M 1/0202; H04M 1/0279;
H04M 1/0235; H04M 1/0237; H04M
1/0239; H04M 1/0266; H04M 1/0268;
H04M 1/0295; G06F 1/1641; G06F
1/1647; G06F 1/1652

See application file for complete search history.

DESCRIPTION

FIG. 1 is a front perspective view of an electronic device showing our new design;

FIG. 2 is a front elevation view thereof;

FIG. 3 is a rear elevation view thereof;

FIG. 4 is a left side elevation view thereof;

FIG. 5 is a right side elevation view thereof;

FIG. 6 is a top plan view thereof;

FIG. 7 is a bottom plan view thereof; and,

FIG. 8 is a rear perspective view thereof.

The dashed broken lines in the figures illustrate portions of the electronic device that form no part of the claimed design.

The dot-dash broken lines in the figures define the boundaries of the claimed design and form no part thereof.

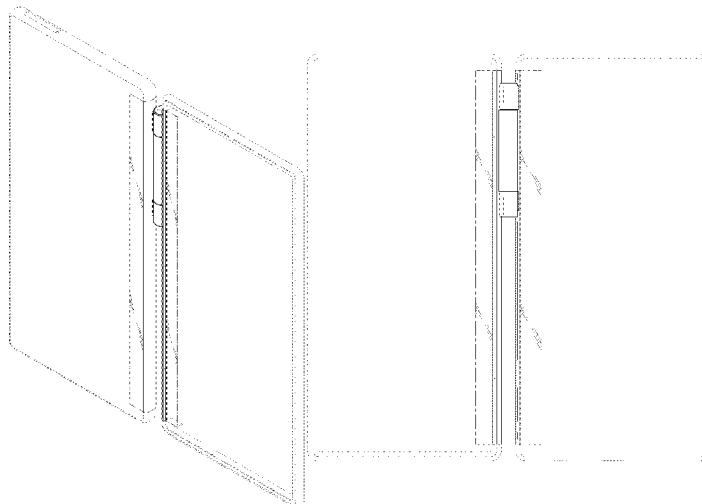
(56) **References Cited**

U.S. PATENT DOCUMENTS

D386,521 S * 11/1997 Eisenbaum D19/76
D477,014 S * 7/2003 Clarkson D14/345
D588,126 S * 3/2009 Chiang D14/345
D650,781 S * 12/2011 Rashid D14/341
D658,173 S * 4/2012 Kim D14/345
D655,349 S 5/2012 Ehara et al.

(Continued)

1 Claim, 8 Drawing Sheets



(56)

References Cited

U.S. PATENT DOCUMENTS

D714,244 S * 9/2014 Lee D14/138 G
D716,750 S * 11/2014 Matsumoto D14/345
D719,540 S * 12/2014 Lee D14/345
D749,572 S * 2/2016 Park D14/345
D775,598 S * 1/2017 Kim D14/345
D816,079 S * 4/2018 Yamazaki D14/341
D834,009 S * 11/2018 Itou D14/248
D839,232 S * 1/2019 Itou D14/248
D847,134 S * 4/2019 Yamazaki D14/345
D848,416 S * 5/2019 Yamazaki D14/345
D860,990 S * 9/2019 Tian D14/345
2021/0064084 A1* 3/2021 Lin G06F 1/1681
2022/0004394 A1* 1/2022 Ebron G06F 1/3287

FOREIGN PATENT DOCUMENTS

EM 005737558-0003 12/2018
WO DM/094401 7/2017

OTHER PUBLICATIONS

Huawei Mate X2, first available Feb. 25, 2021 [online], [retrieved Apr. 15, 2022]. Available from the Internet, URL:<https://www.gsmarena.com/huawei_mate_x2-pictures-10697.php>. (Year: 2021).*

* cited by examiner

FIG. 1

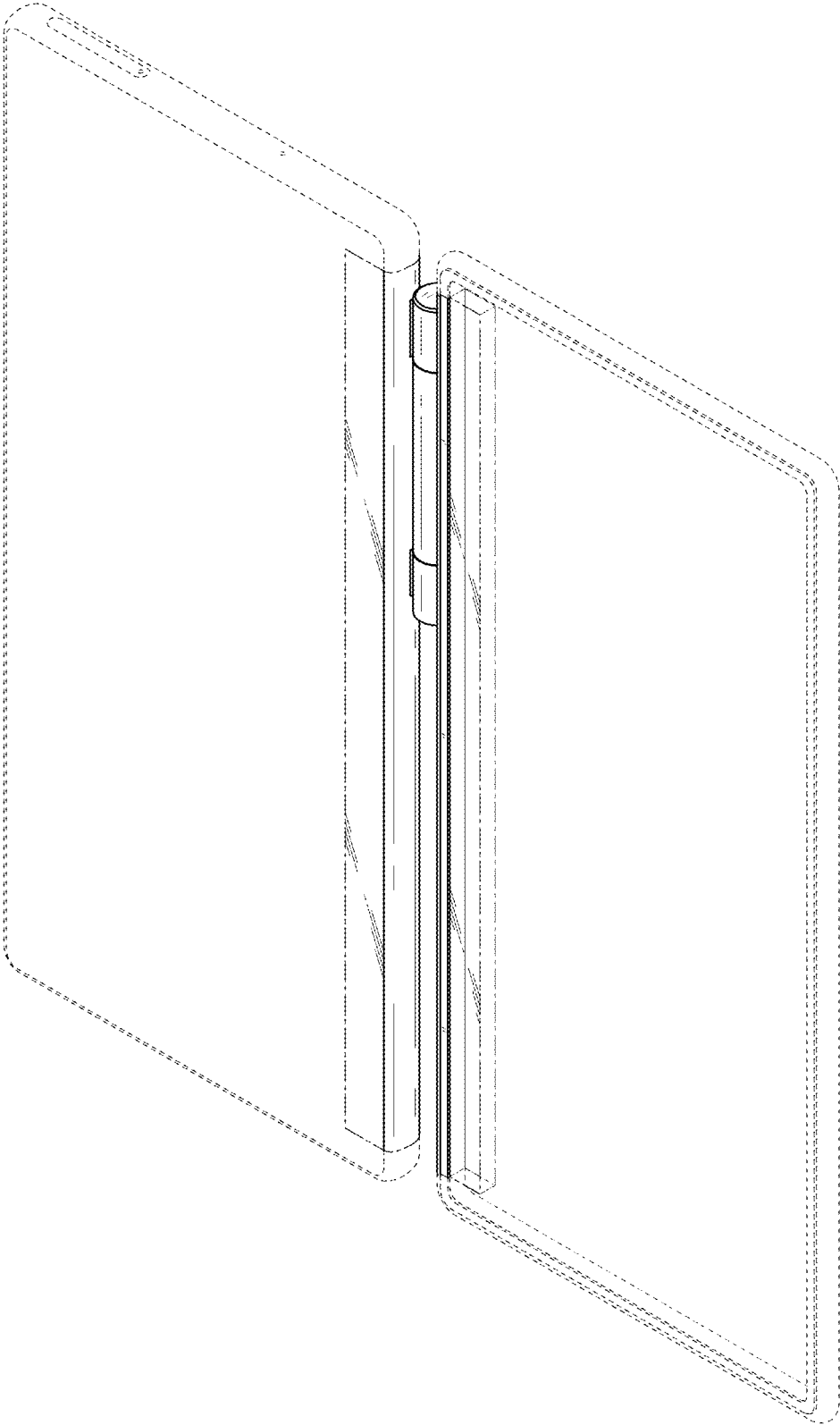


FIG. 2

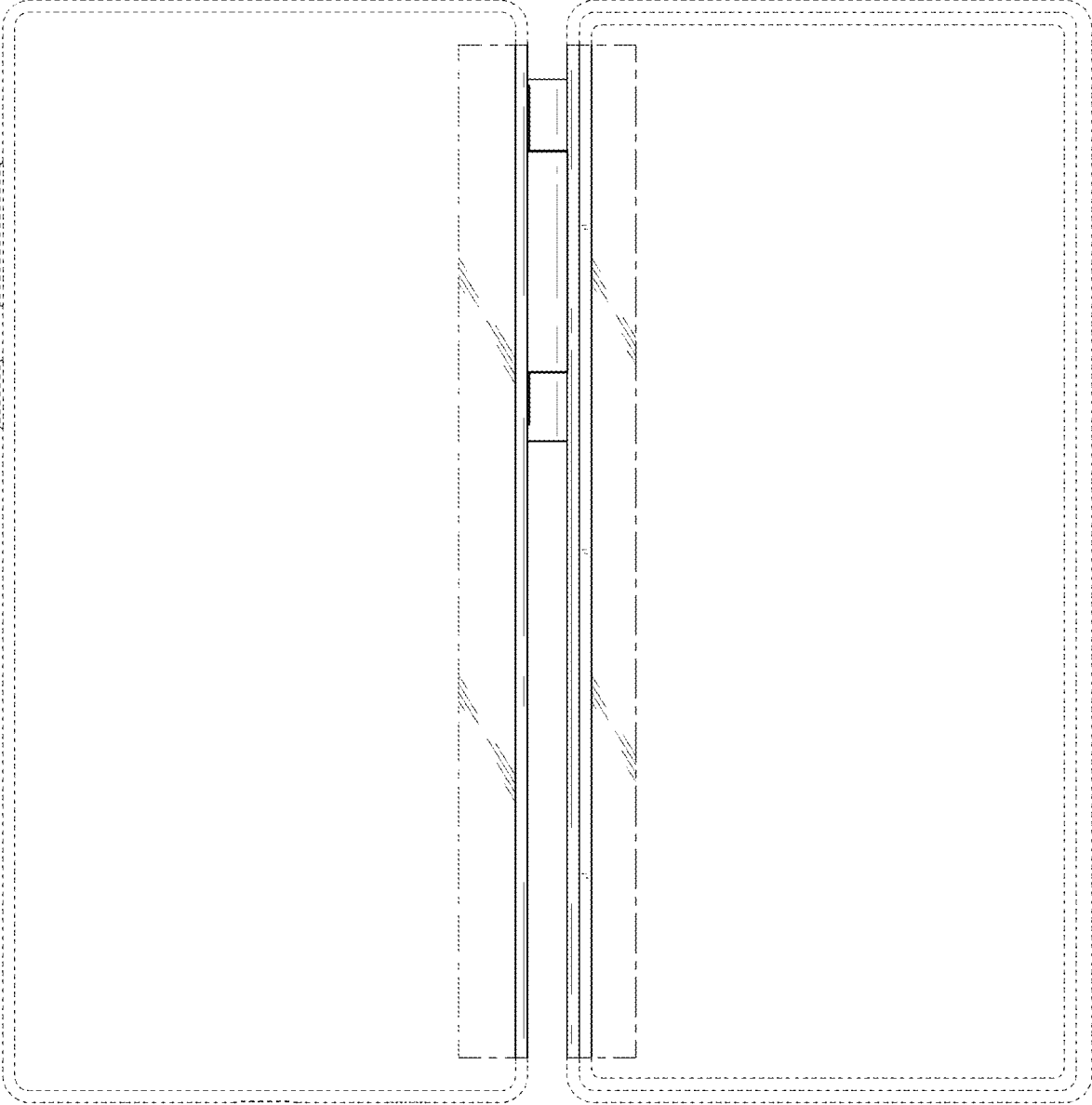


FIG. 3

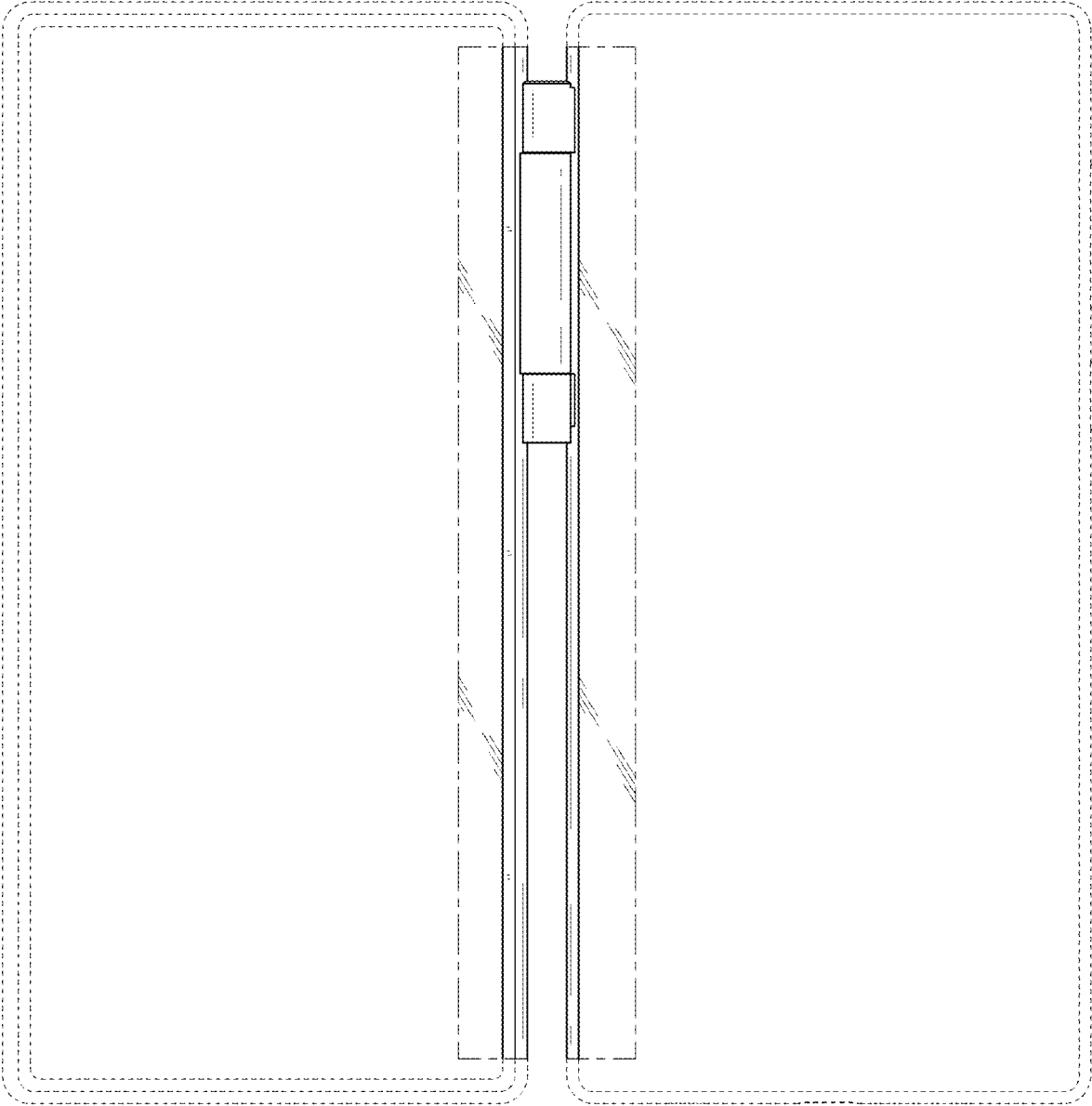


FIG. 4

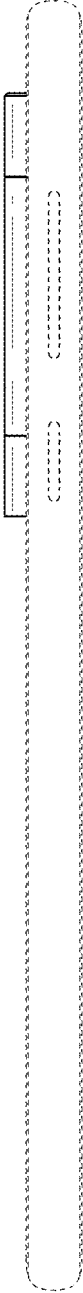


FIG. 5

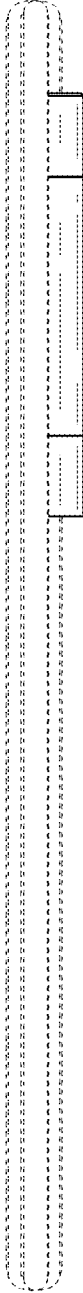


FIG. 6



FIG. 7



FIG. 8

