



US00D724787S

(12) **United States Design Patent**  
**Lavigne et al.**

(10) **Patent No.:** **US D724,787 S**

(45) **Date of Patent:** **\*\* Mar. 17, 2015**

(54) **COMPACT**

(71) Applicant: **River Light V, L.P.**, New York, NY (US)

(72) Inventors: **Chad Lavigne**, New York, NY (US);  
**Tory Burch**, New York, NY (US)

(73) Assignee: **River Light V, L.P.**, New York, NY (US)

(\*\*) Term: **14 Years**

(21) Appl. No.: **29/471,302**

(22) Filed: **Oct. 30, 2013**

(51) **LOC (10) Cl.** ..... **28-03**

(52) **U.S. Cl.**  
USPC ..... **D28/84**

(58) **Field of Classification Search**

CPC ..... A45D 33/006; A45D 33/003; A45D  
33/04–33/16; A45D 33/025; A45D 33/02;  
A45D 33/20; A45D 33/22; A45D 33/24;  
A45D 33/26; A45D 33/28; A45D 33/18;  
A45D 40/22; A45D 40/222; A45D 40/24;  
A45D 42/02  
USPC ..... D28/64.1–64.7, 76–84; 206/581, 823;  
132/286–318; D9/503–505, 421, 428,  
D9/447

See application file for complete search history.

(56) **References Cited**

**U.S. PATENT DOCUMENTS**

D52,042 S \* 5/1918 Kendall ..... D28/76  
D63,506 S \* 12/1923 Slater ..... D28/83

D83,488 S \* 3/1931 Bell ..... D28/83  
D115,961 S 8/1939 Gaige  
D130,221 S 11/1941 Bermond  
D145,047 S 6/1946 Reilly  
D153,096 S 3/1949 Arpels  
D155,410 S 10/1949 Flato  
D185,825 S 8/1959 Braun  
D496,758 S \* 9/2004 Stohr ..... D28/76  
D553,296 S 10/2007 Kuethe et al.  
D579,153 S 10/2008 Lee  
D596,354 S 7/2009 Yamamoto  
D655,866 S \* 3/2012 Villarreal et al. .... D28/83

\* cited by examiner

*Primary Examiner* — Jennifer Rivard

(74) *Attorney, Agent, or Firm* — Kilpatrick Townsend & Stockton LLP

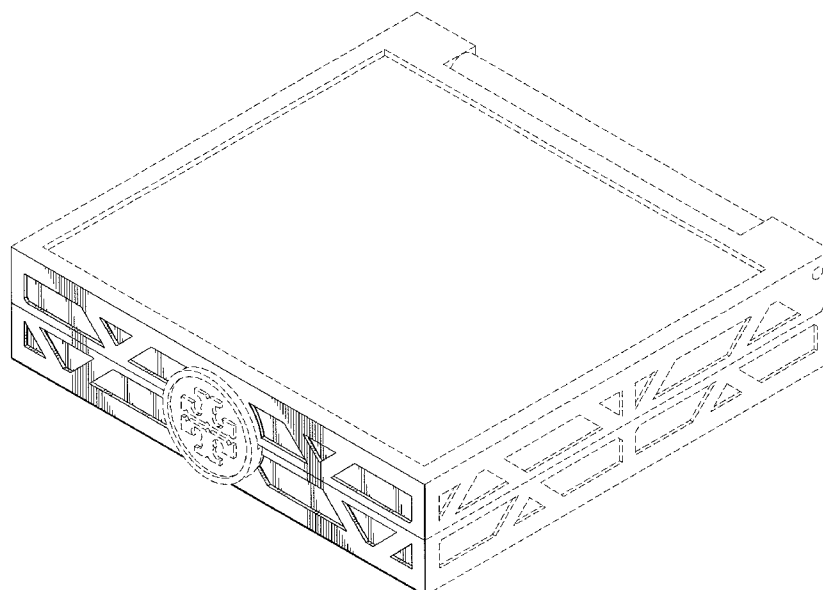
(57) **CLAIM**

The ornamental design for a compact, as shown and described.

**DESCRIPTION**

FIG. 1 is a perspective view of a compact.  
FIG. 2 is a front view of the compact of FIG. 1.  
FIG. 3 is a right side view of the compact of FIG. 1, the left side view being a mirror image of the right side view.  
FIG. 4 is a rear view of the compact of FIG. 1.  
FIG. 5 is a top view of the compact of FIG. 1; and,  
FIG. 6 is a bottom view of the compact of FIG. 1.  
The broken lines shown in the drawings illustrate portions of the compact and form no part of the claimed design.

**1 Claim, 6 Drawing Sheets**



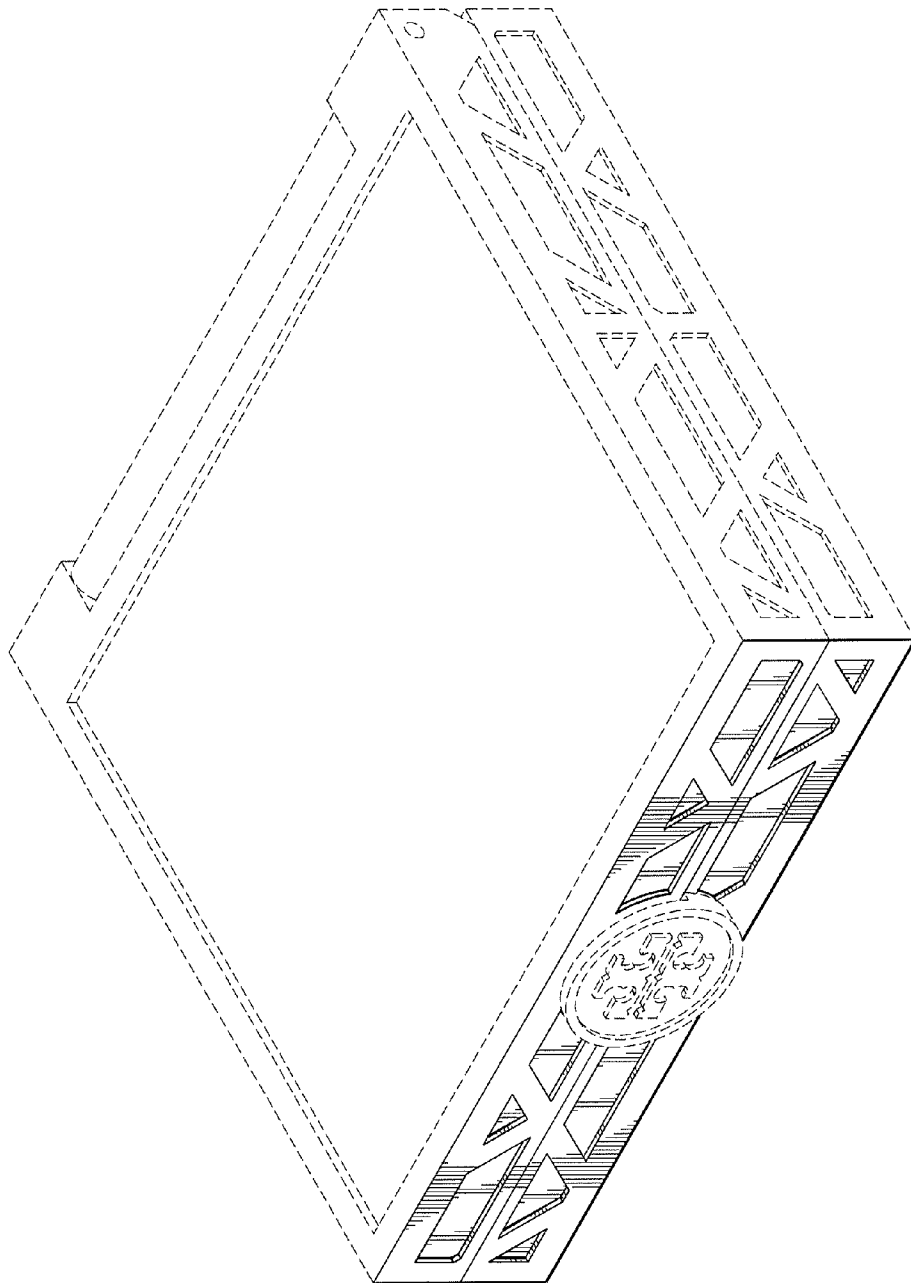


FIG. 1

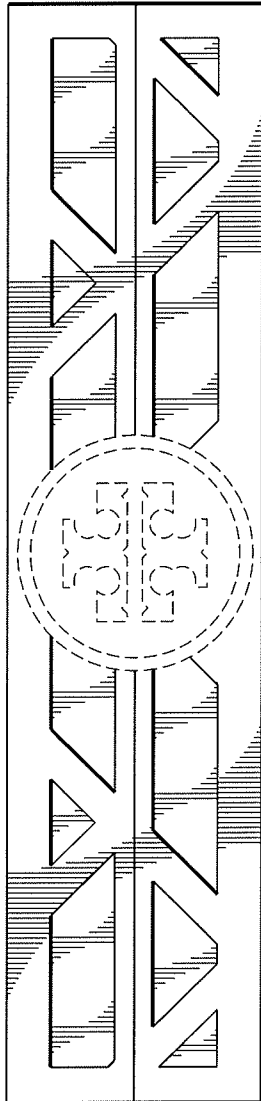


FIG. 2

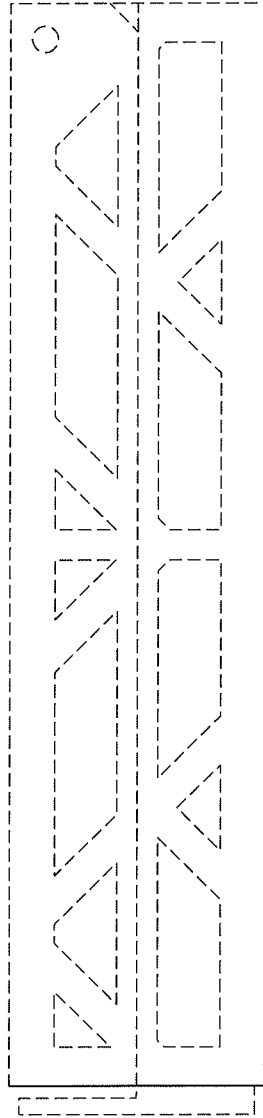


FIG. 3

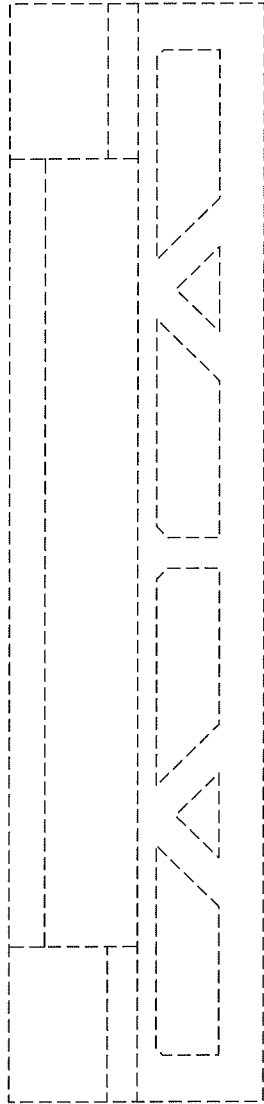


FIG. 4

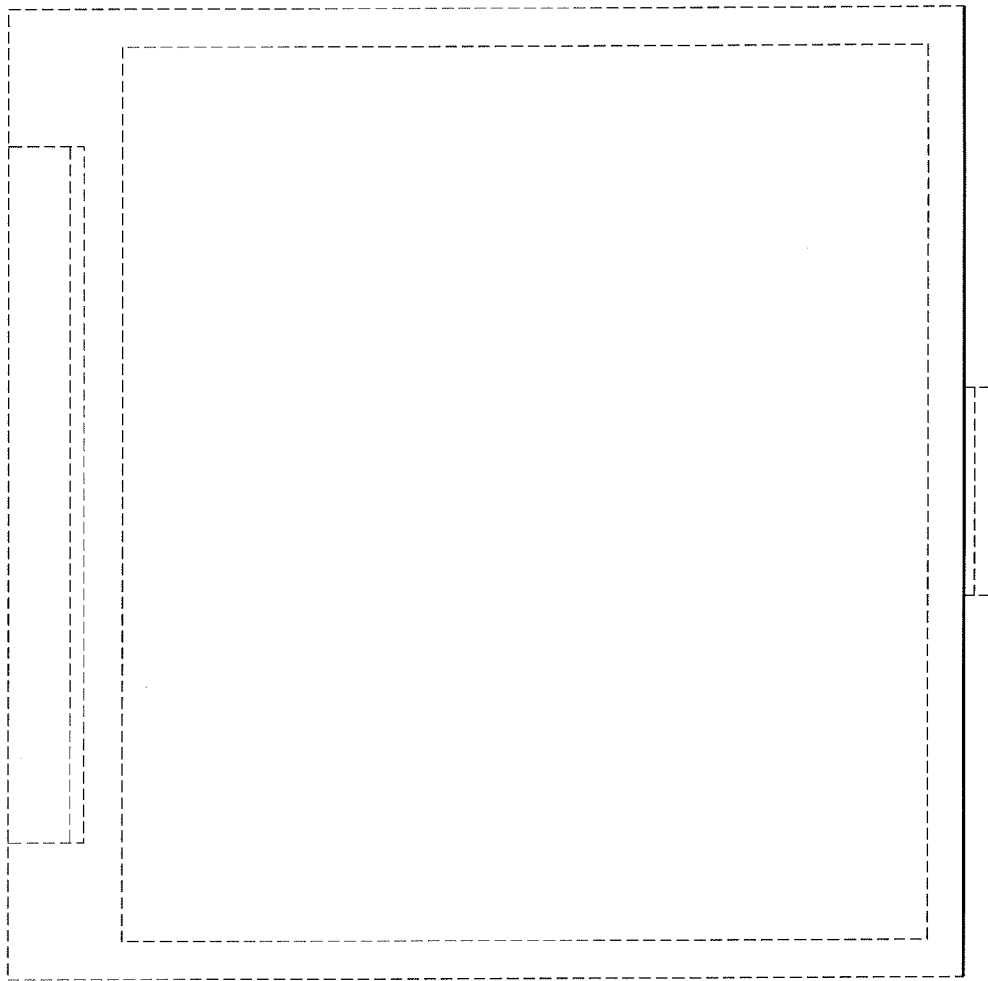


FIG. 5

FIG. 6

