

(19) World Intellectual Property Organization  
International Bureau



(43) International Publication Date  
18 March 2010 (18.03.2010)

PCT

(10) International Publication Number  
WO 2010/029349 A3

- (51) International Patent Classification:  
*E01F 7/00* (2006.01)      *E02D 29/02* (2006.01)
- (21) International Application Number:  
PCT/GB2009/051145
- (22) International Filing Date:  
9 September 2009 (09.09.2009)
- (25) Filing Language:  
English
- (26) Publication Language:  
English
- (30) Priority Data:  
0816700.9    12 September 2008 (12.09.2008)    GB  
0817112.6    18 September 2008 (18.09.2008)    GB
- (71) Applicant (for all designated States except US): **HESCO BASTION LIMITED** [GB/GB]; Unit 37, Knowsthorpe Gate, Cross Green Industrial Estate, Leeds Yorkshire LS9 0NP (GB).

AO, AT, AU, AZ, BA, BB, BG, BH, BR, BW, BY, BZ, CA, CH, CL, CN, CO, CR, CU, CZ, DE, DK, DM, DO, DZ, EC, EE, EG, ES, FI, GB, GD, GE, GH, GM, GT, HN, HR, HU, ID, IL, IN, IS, JP, KE, KG, KM, KN, KP, KR, KZ, LA, LC, LK, LR, LS, LT, LU, LY, MA, MD, ME, MG, MK, MN, MW, MX, MY, MZ, NA, NG, NI, NO, NZ, OM, PE, PG, PH, PL, PT, RO, RS, RU, SC, SD, SE, SG, SK, SL, SM, ST, SV, SY, TJ, TM, TN, TR, TT, TZ, UA, UG, US, UZ, VC, VN, ZA, ZM, ZW.

(84) Designated States (unless otherwise indicated, for every kind of regional protection available): ARIPO (BW, GH, GM, KE, LS, MW, MZ, NA, SD, SL, SZ, TZ, UG, ZM, ZW), Eurasian (AM, AZ, BY, KG, KZ, MD, RU, TJ, TM), European (AT, BE, BG, CH, CY, CZ, DE, DK, EE, ES, FI, FR, GB, GR, HR, HU, IE, IS, IT, LT, LU, LV, MC, MK, MT, NL, NO, PL, PT, RO, SE, SI, SK, SM, TR), OAPI (BF, BJ, CF, CG, CI, CM, GA, GN, GQ, GW, ML, MR, NE, SN, TD, TG).

- (72) Inventor; and
- (75) Inventor/Applicant (for US only): **HESELDEN, James** [GB/GB]; Hesco Bastion Ltd, Unit 37, Knowsthorpe Gate, Leeds Yorkshire LS9 0NP (GB).
- (74) Agent: **W.P. THOMPSON & CO.**; 55 Drury Lane, London WC2B 5SQ (GB).
- (81) Designated States (unless otherwise indicated, for every kind of national protection available): AE, AG, AL, AM,

**Published:**

- with international search report (Art. 21(3))
- before the expiration of the time limit for amending the claims and to be republished in the event of receipt of amendments (Rule 48.2(h))

(88) Date of publication of the international search report:  
27 January 2011

(54) Title: SIGHT SCREEN

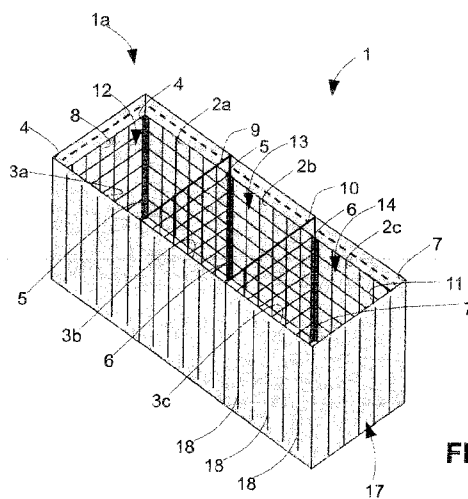


FIG. 1a

(57) Abstract: A deployable sight screen comprising: a gabion comprising opposed side walls connected together at spaced intervals by a plurality of partition walls such that spaces between neighbouring pairs of partition walls define, together with the side walls, one or more individual compartments of the gabion; a material substantially covering one or more surfaces of said gabion; wherein said material is effective to prevent a line of viewing through said gabion; and said material is arranged to allow the passage of air therethrough.

WO 2010/029349 A3

INTERNATIONAL SEARCH REPORT

International application No  
PCT/GB2009/051145

**A. CLASSIFICATION OF SUBJECT MATTER**  
 INV. E01F7/00 E02D29/02  
 ADD.  
 According to International Patent Classification (IPC) or to both national classification and IPC

**B. FIELDS SEARCHED**  
 Minimum documentation searched (classification system followed by classification symbols)  
 E01F E02D

Documentation searched other than minimum documentation to the extent that such documents are included in the fields searched

Electronic data base consulted during the international search (name of data base and, where practical, search terms used)  
 EPO-Internal

**C. DOCUMENTS CONSIDERED TO BE RELEVANT**

Category*	Citation of document, with indication, where appropriate, of the relevant passages	Relevant to claim No.
X	GB 2 423 107 A (HESCO BASTION LTD [GB]) 16 August 2006 (2006-08-16)  page 3 - page 23; figures 1,4,6	1-6,8,9, 11-17, 19-24
X	WO 2005/080691 A1 (HESCO BASTION LTD [GB]; HESELDEN JAMES [GB]) 1 September 2005 (2005-09-01) page 3 - page 23; figure 1	1-6,8,9, 11-17, 19-24
X	US 5 472 297 A (HESELDEN JAMES W [GB]) 5 December 1995 (1995-12-05)  the whole document	1-5,8,9, 11-16, 19-24
X	WO 2008/088299 A1 (GORODETSKIY EMELEYAN [UA]) 24 July 2008 (2008-07-24) the whole document	1,3
	-/--	

Further documents are listed in the continuation of Box C.

See patent family annex.

\* Special categories of cited documents :

- "A" document defining the general state of the art which is not considered to be of particular relevance
- "E" earlier document but published on or after the international filing date
- "L" document which may throw doubts on priority claim(s) or which is cited to establish the publication date of another citation or other special reason (as specified)
- "O" document referring to an oral disclosure, use, exhibition or other means
- "P" document published prior to the international filing date but later than the priority date claimed

- "T" later document published after the international filing date or priority date and not in conflict with the application but cited to understand the principle or theory underlying the invention
- "X" document of particular relevance; the claimed invention cannot be considered novel or cannot be considered to involve an inventive step when the document is taken alone
- "Y" document of particular relevance; the claimed invention cannot be considered to involve an inventive step when the document is combined with one or more other such documents, such combination being obvious to a person skilled in the art.
- "&" document member of the same patent family

Date of the actual completion of the international search

7 December 2010

Date of mailing of the international search report

14/12/2010

Name and mailing address of the ISA/

European Patent Office, P.B. 5818 Patentlaan 2  
 NL - 2280 HV Rijswijk  
 Tel. (+31-70) 340-2040,  
 Fax: (+31-70) 340-3016

Authorized officer

Geiger, Harald

## INTERNATIONAL SEARCH REPORT

International application No

PCT/GB2009/051145

C(Continuation). DOCUMENTS CONSIDERED TO BE RELEVANT

Category*	Citation of document, with indication, where appropriate, of the relevant passages	Relevant to claim No.
X	EP 0 735 198 A1 (VALSELLA MECCANOTECNICA SPA [IT]) 2 October 1996 (1996-10-02) the whole document -----	1,3,4
X	US 2003/035690 A1 (EARL MILAN DENNIS [US]) 20 February 2003 (2003-02-20) paragraph [0036] - paragraph [0054]; figures 3,4,6 -----	1,3,4,7
X	EP 0 816 572 A2 (VALSELLA MECCANOTECNICA SPA [IT]) 7 January 1998 (1998-01-07) the whole document -----	1,3,4
X	GB 2 445 356 A (HESCO BASTION LTD [GB]) 9 July 2008 (2008-07-09) the whole document -----	29

# INTERNATIONAL SEARCH REPORT

International application No.  
PCT/GB2009/051145

## Box No. II Observations where certain claims were found unsearchable (Continuation of item 2 of first sheet)

This international search report has not been established in respect of certain claims under Article 17(2)(a) for the following reasons:

1.  Claims Nos.:  
because they relate to subject matter not required to be searched by this Authority, namely:
  
2.  Claims Nos.:  
because they relate to parts of the international application that do not comply with the prescribed requirements to such an extent that no meaningful international search can be carried out, specifically:
  
3.  Claims Nos.:  
because they are dependent claims and are not drafted in accordance with the second and third sentences of Rule 6.4(a).

## Box No. III Observations where unity of invention is lacking (Continuation of item 3 of first sheet)

This International Searching Authority found multiple inventions in this international application, as follows:

see additional sheet

1.  As all required additional search fees were timely paid by the applicant, this international search report covers all searchable claims.
  
2.  As all searchable claims could be searched without effort justifying an additional fees, this Authority did not invite payment of additional fees.
  
3.  As only some of the required additional search fees were timely paid by the applicant, this international search report covers only those claims for which fees were paid, specifically claims Nos.:  
  
1-24, 29
  
4.  No required additional search fees were timely paid by the applicant. Consequently, this international search report is restricted to the invention first mentioned in the claims; it is covered by claims Nos.:

### Remark on Protest

- The additional search fees were accompanied by the applicant's protest and, where applicable, the payment of a protest fee.
- The additional search fees were accompanied by the applicant's protest but the applicable protest fee was not paid within the time limit specified in the invitation.
- No protest accompanied the payment of additional search fees.

## FURTHER INFORMATION CONTINUED FROM PCT/ISA/ 210

This International Searching Authority found multiple (groups of) inventions in this international application, as follows:

## 1. claims: 1, 3, 4

A deployable sight screen comprising:  
a partition wall having a first side and a second side, said partition wall comprising a plurality of partition wall elements connected to one another by pivotal connections;  
a plurality of support wall elements connected to, and extending from, one or more of said pivotal connections;  
wherein said partition wall further comprises material to prevent a line of viewing therethrough; and said material to prevent a line of viewing further arranged to allow the passage of air therethrough;  
dependent claims specifying arrangement of the material;

## 2. claims: 5-7

A deployable sight screen comprising:  
a partition wall having a first side and a second side, said partition wall comprising a plurality of partition wall elements connected to one another by pivotal connections;  
a plurality of support wall elements connected to, and extending from, one or more of said pivotal connections;  
wherein said partition wall further comprises material to prevent a line of viewing therethrough; and said material to prevent a line of viewing further arranged to allow the passage of air therethrough;  
dependent claims specifying perforations of the material ;

## 3. claims: 8-10

A deployable sight screen comprising:  
a partition wall having a first side and a second side, said partition wall comprising a plurality of partition wall elements connected to one another by pivotal connections;  
a plurality of support wall elements connected to, and extending from, one or more of said pivotal connections;  
wherein said partition wall further comprises material to prevent a line of viewing therethrough; and said material to prevent a line of viewing further arranged to allow the passage of air therethrough;  
dependent claims specifying the wall with wire mesh;

## 4. claims: 12-14

A deployable sight screen comprising:  
a partition wall having a first side and a second side, said partition wall comprising a plurality of partition wall elements connected to one another by pivotal connections;  
a plurality of support wall elements connected to, and

## FURTHER INFORMATION CONTINUED FROM PCT/ISA/ 210

extending from, one or more of said pivotal connections;  
wherein said partition wall further comprises material to  
prevent a line of viewing therethrough; and said material to  
prevent a line of viewing further arranged to allow the  
passage of air therethrough;  
dependent claims specifying pivotal connections of the  
partition walls to one another;  
---

## 5. claims: 17, 18

A deployable sight screen comprising:  
a partition wall having a first side and a second side, said  
partition wall comprising a plurality of partition wall  
elements connected to one another by pivotal connections;  
a plurality of support wall elements connected to, and  
extending from, one or more of said pivotal connections;  
wherein said partition wall further comprises material to  
prevent a line of viewing therethrough; and said material to  
prevent a line of viewing further arranged to allow the  
passage of air therethrough;  
dependent claims specifying the suitable materials ;  
---

## 6. claims: 19-24

A deployable sight screen comprising:  
a partition wall having a first side and a second side, said  
partition wall comprising a plurality of partition wall  
elements connected to one another by pivotal connections;  
a plurality of support wall elements connected to, and  
extending from, one or more of said pivotal connections;  
wherein said partition wall further comprises material to  
prevent a line of viewing therethrough; and said material to  
prevent a line of viewing further arranged to allow the  
passage of air therethrough;  
dependent claims specifying how the support walls are  
arranged and how they are connected to each other ;  
---

## 7. claim: 29

A deployable sight screen comprising:  
a partition wall having a first side and a second side, said  
partition wall comprising a plurality of partition wall  
elements connected to one another by pivotal connections;  
a plurality of support wall elements connected to, and  
extending from, one or more of said pivotal connections;  
wherein said partition wall further comprises material to  
prevent a line of viewing therethrough; and said material to  
prevent a line of viewing further arranged to allow the  
passage of air therethrough;  
dependent claims specifying a self supporting wall ;  
---

## FURTHER INFORMATION CONTINUED FROM PCT/ISA/ 210

8. claims: 2, 11, 15, 16

A deployable sight screen comprising:  
a gabion comprising opposed side walls connected together at spaced intervals by a plurality of partition walls such that spaces between neighbouring pairs of partition walls define, together with the side walls, one or more individual compartments of the gabion;  
wherein one or more surfaces of said gabion further comprises material to prevent a line of viewing therethrough; and  
said material to prevent a line of viewing further arranged to allow the passage of air therethrough;  
dependent claims specifying how the gabion is made up;;  
---

9. claims: 25-28

A container suitable for storing the sight screen of claims 1 to 23 in a folded configuration and from which the sight screen can be deployed, the container comprising a base, at least one side wall and a roof, the container having a retaining means disposed therein in, on or to which a folded sight screen can be releaseably attached, connected or retentively engaged by way of at least one releasable attaching, connecting or retentive engaging means; wherein the at least one releasable attaching, connecting or retentive engaging means is adapted to attach, connect or retentively engage a part of the sight screen to the retaining means when the sight screen is folded but to release the gabion from the retaining means when the sight screen is deployed;  
dependent claims specifying the container.  
---

## INTERNATIONAL SEARCH REPORT

Information on patent family members

International application No

PCT/GB2009/051145

Patent document cited in search report	Publication date	Patent family member(s)	Publication date
GB 2423107	A	16-08-2006	EP 1713981 A1 25-10-2006
			WO 2005080691 A1 01-09-2005
			US 2009080975 A1 26-03-2009
			US 2009185871 A1 23-07-2009
			US 2007160423 A1 12-07-2007
			US 2010086366 A1 08-04-2010
			US 2010092251 A1 15-04-2010
			US 2008095579 A1 24-04-2008
WO 2005080691	A1	01-09-2005	EP 1713981 A1 25-10-2006
			GB 2423107 A 16-08-2006
			US 2009080975 A1 26-03-2009
			US 2009185871 A1 23-07-2009
			US 2007160423 A1 12-07-2007
			US 2010086366 A1 08-04-2010
			US 2010092251 A1 15-04-2010
			US 2008095579 A1 24-04-2008
US 5472297	A	05-12-1995	NONE
WO 2008088299	A1	24-07-2008	NONE
EP 0735198	A1	02-10-1996	IT MI950607 A1 27-09-1996
US 2003035690	A1	20-02-2003	NONE
EP 0816572	A2	07-01-1998	IT MI961364 A1 05-01-1998
GB 2445356	A	09-07-2008	AU 2007341098 A1 10-07-2008
			CA 2667939 A1 10-07-2008
			CN 101522995 A 02-09-2009
			CR 10903 A 23-07-2009
			EA 200970665 A1 30-12-2009
			EC SP099479 A 28-08-2009
			EP 2099973 A1 16-09-2009
			WO 2008081177 A1 10-07-2008
			JP 2010514959 T 06-05-2010
			KR 20090096540 A 10-09-2009
			US 2010008726 A1 14-01-2010
			US 2010032333 A1 11-02-2010
			US 2010072101 A1 25-03-2010
			US 2008156683 A1 03-07-2008
			US 2008159814 A1 03-07-2008
			US 2008237078 A1 02-10-2008
			ZA 200902726 A 31-03-2010