



US00D405077S

United States Patent [19]

[11] Patent Number: **Des. 405,077**

Urushihata et al.

[45] Date of Patent: ****Feb. 2, 1999**

[54] **OPTICAL SCANNER**

D. 344,501	2/1994	Gong et al.	D14/116
D. 349,109	7/1994	Karlin	D14/116
D. 362,435	9/1995	Charych et al.	D14/116
D. 385,265	10/1997	Knowles et al.	D14/116
D. 388,076	12/1997	Swift et al.	D14/116

[75] Inventors: **Mutsumi Urushihata**, Hachioji;
Takeshi Asaka, Tokyo, both of Japan;
Ian Jenkins, Stony Brook, N.Y.;
Jonathan Marks, Cambridge, Mass.

Primary Examiner—M. H. Tung

[73] Assignee: **Symbol Technologies, Inc.**, Holtsville,
N.Y.

[57] **CLAIM**

[**] Term: **14 Years**

The ornamental design for an optical scanner, as shown and described.

[21] Appl. No.: **82,170**

DESCRIPTION

[22] Filed: **Jan. 16, 1998**

[51] **LOC (6) Cl.** **14-02**

FIG. 1 is a top, front, left-side perspective view of a optical scanner showing our new design;

[52] **U.S. Cl.** **D14/116**

FIG. 2 is a top plan view thereof;

[58] **Field of Search** D14/114, 116,
D14/100, 107; D19/41-51; 235/375, 378,
385, 454, 462, 472, 486; 382/312-15, 321,
318-19; 250/203.1, 216; D26/37, 45, 50

FIG. 3 is a front elevational view thereof;

FIG. 4 is a left-side elevational view thereof;

FIG. 5 is a right-side elevational view thereof;

FIG. 6 is a rear elevational view thereof; and,

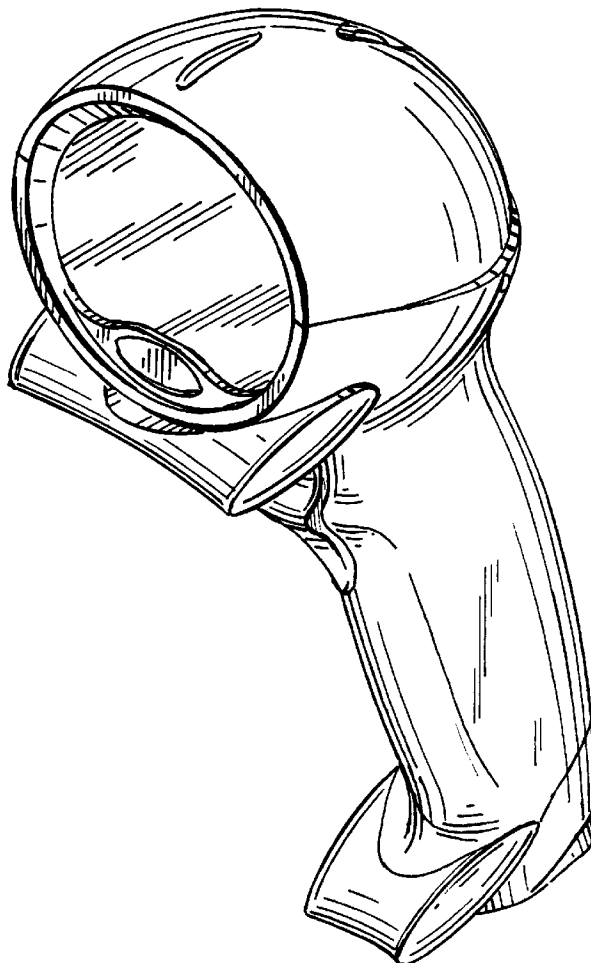
FIG. 7 is a bottom plan view thereof.

[56] **References Cited**

U.S. PATENT DOCUMENTS

D. 343,170 1/1994 Gilpin et al. D14/116

1 Claim, 3 Drawing Sheets



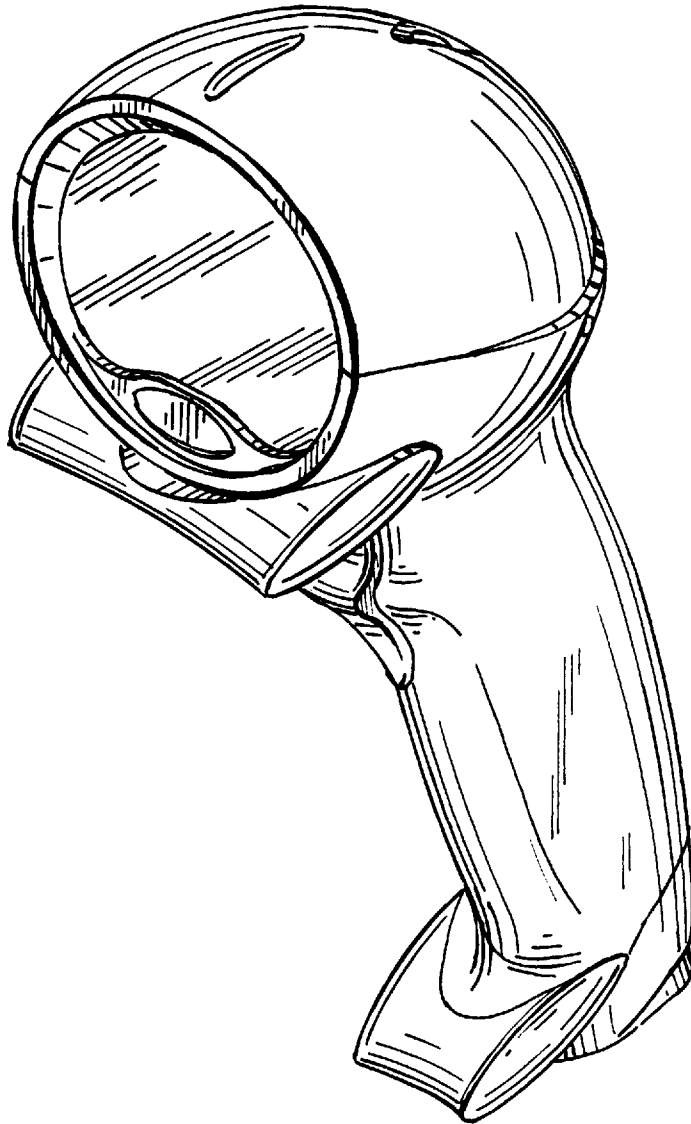


FIG. 1

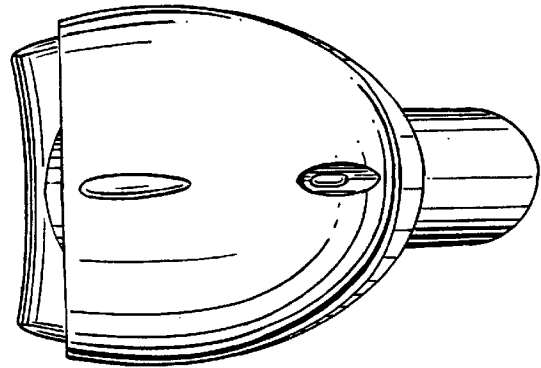


FIG. 2

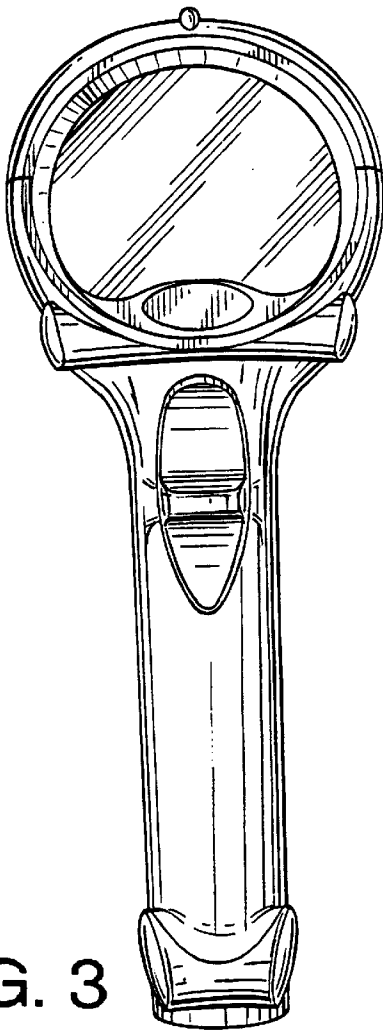


FIG. 3

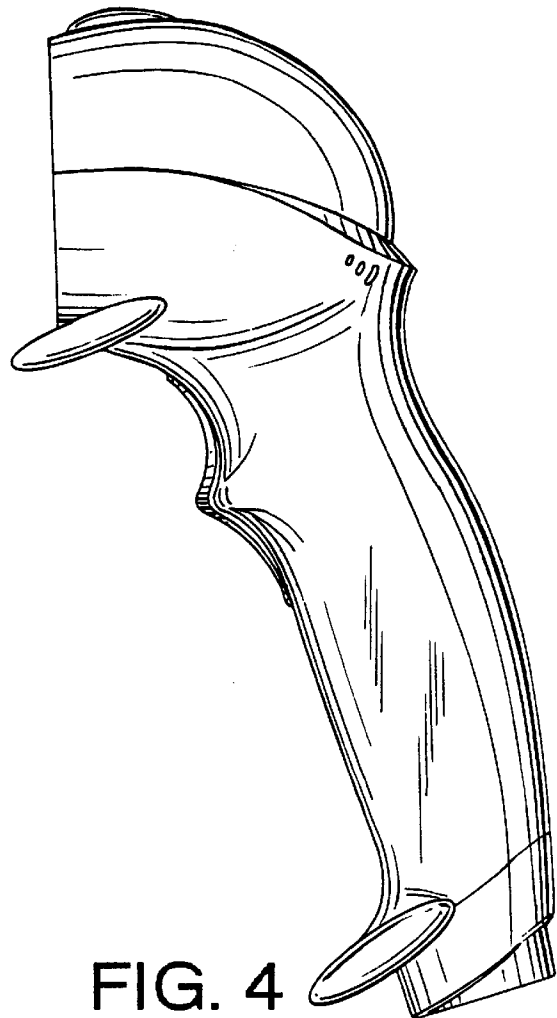


FIG. 4

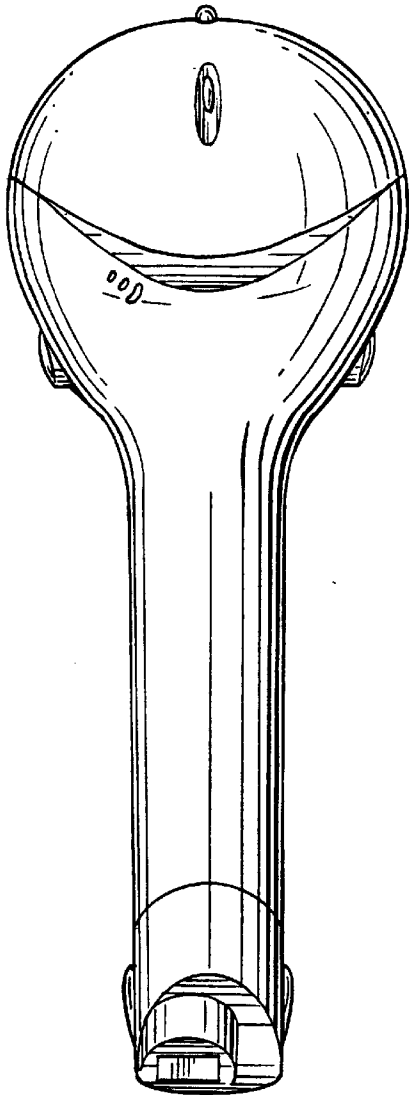


FIG. 6

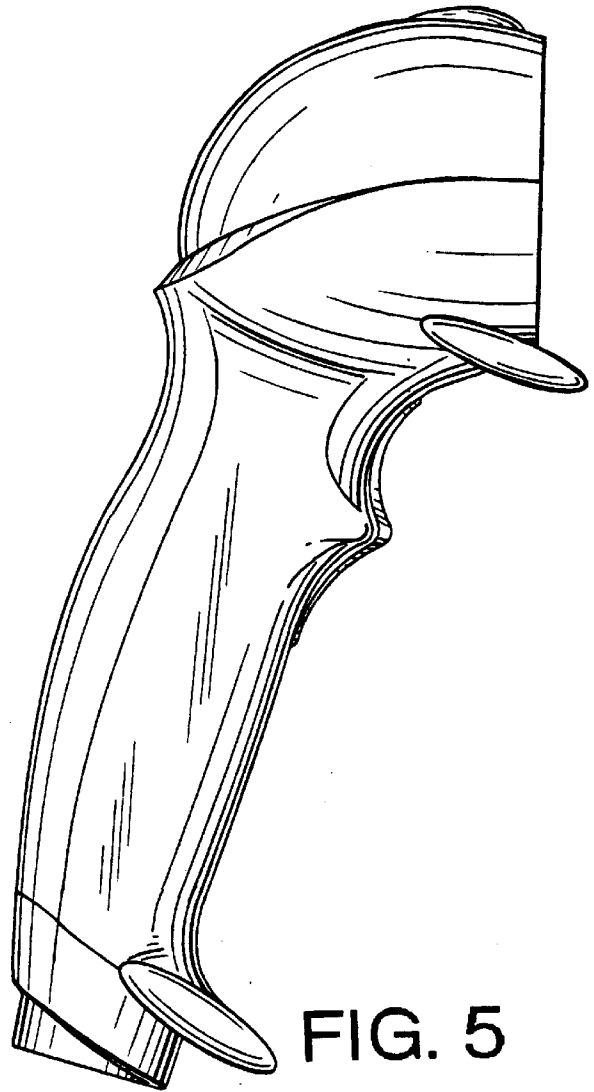


FIG. 5

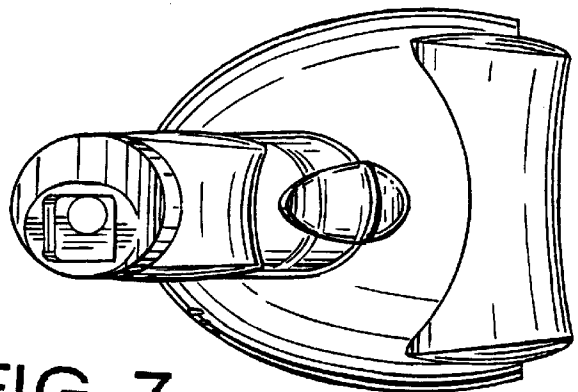


FIG. 7