



US00D531672S

(12) **United States Design Patent**
Hannon

(10) **Patent No.:** **US D531,672 S**

(45) **Date of Patent:** **** Nov. 7, 2006**

(54) **PI ILLUSTRATION DISPLAY DEVICE**

7,025,593 B1 * 4/2006 Bauldock, Sr. 434/214

(76) Inventor: **Bruce Hannon**, 1208 W. Union,
Champaign, IL (US) 61821

* cited by examiner

(**) Term: **14 Years**

Primary Examiner—Robert A. Delehanty

Assistant Examiner—Mark Cavanna

(21) Appl. No.: **29/220,550**

(74) *Attorney, Agent, or Firm*—Michael Berns; Maloney,
Parkinson & Berns

(22) Filed: **Jan. 4, 2005**

(57) **CLAIM**

(51) **LOC (8) Cl.** **19-07**

The ornamental design for a PI illustration display device, as
shown.

(52) **U.S. Cl.** **D19/62**

(58) **Field of Classification Search** D19/59-64;
D11/157; D21/483; 434/188, 195, 208, 211,
434/214, 283, 291

DESCRIPTION

See application file for complete search history.

Within a transparent rectangle, balls illustrating the length of
the circumference of a circle travel in hollow tubular chan-
nel.

(56) **References Cited**

FIG. 1 is an isometric view of the PI illustration display
device.

U.S. PATENT DOCUMENTS

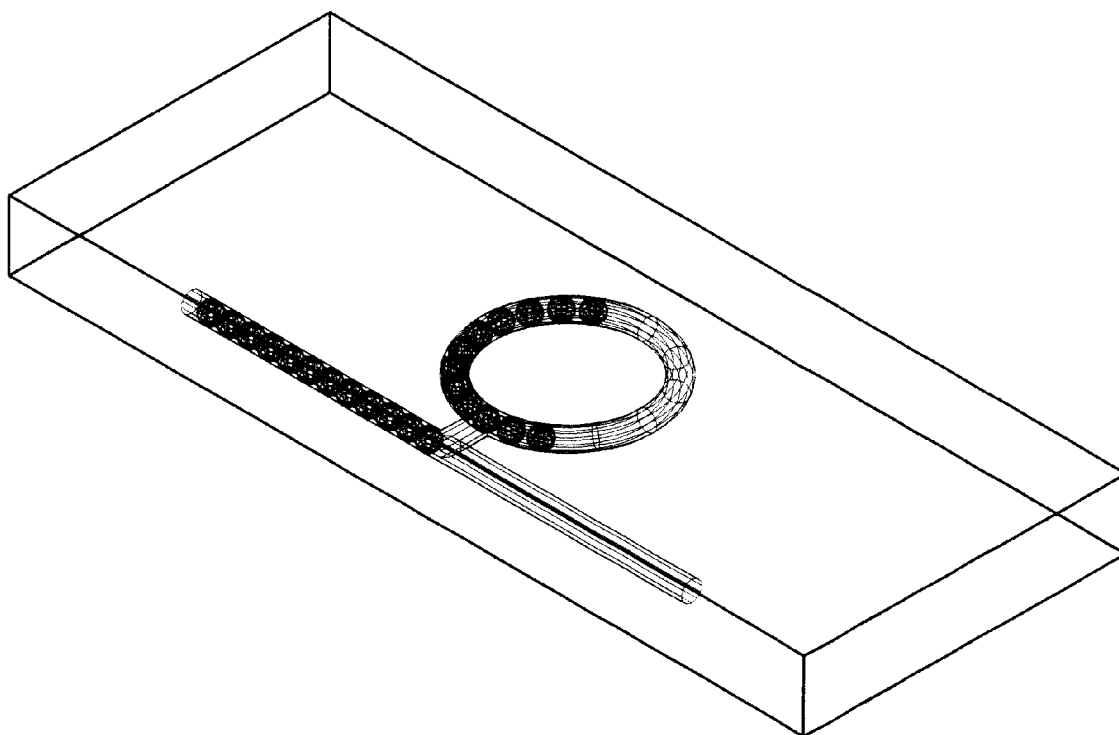
FIG. 2 is a front view of the PI illustration display device.

4,400,162	A	*	8/1983	Rustemis	434/291
5,470,234	A	*	11/1995	Sher	434/214
5,823,783	A	*	10/1998	Adams	434/208
6,293,800	B1	*	9/2001	Robertson	434/196
D474,250	S	*	5/2003	Herrera	D21/483
D486,183	S	*	2/2004	DeMaison	D19/59

FIG. 3 is a side view of the PI illustration display device;
and,

FIG. 4 is a top view of the PI illustration display device.

1 Claim, 3 Drawing Sheets



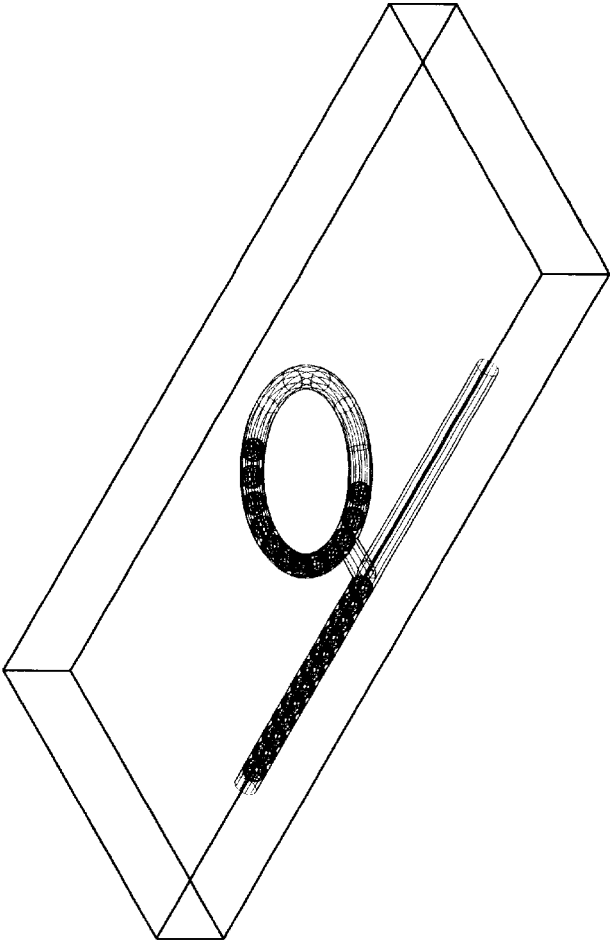


FIGURE 1

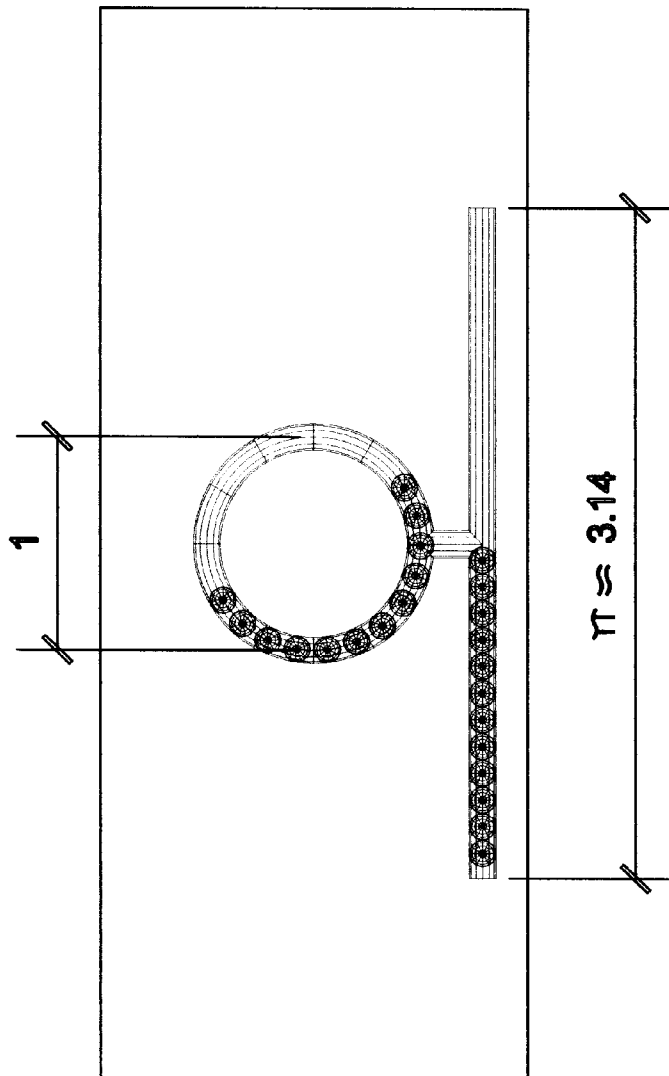


FIGURE 2



FIGURE 4

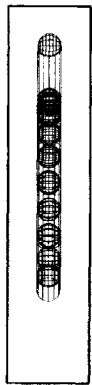


FIGURE 3