



US00D753046S

(12) **United States Design Patent**
Liffick

(10) **Patent No.:** **US D753,046 S**

(45) **Date of Patent:** **** Apr. 5, 2016**

(54) **VEHICLE WHEEL**

(71) Applicant: **Quarsa, LLC**, Chino, CA (US)

(72) Inventor: **Fenton Liffick**, Anaheim Hills, CA (US)

(73) Assignee: **Quarsa, LLC**, Chino, CA (US)

(**) Term: **15 Years**

(21) Appl. No.: **29/541,445**

(22) Filed: **Oct. 2, 2015**

(51) **LOC (10) Cl.** **12-16**

(52) **U.S. Cl.**
USPC **D12/209**

(58) **Field of Classification Search**
USPC D12/204–213
CPC B60B 7/00; B60B 7/02; B60B 7/04;
B60B 7/01; B60B 7/06; B60B 3/02; B60B
3/04; B60B 3/06; B60B 3/10; B60B 1/00;
B60B 1/08; B60B 1/10; B60B 1/12
See application file for complete search history.

(56) **References Cited**

U.S. PATENT DOCUMENTS

D501,815 S * 2/2005 Weld D12/209
D506,719 S * 6/2005 Chen D12/211

D519,436 S * 4/2006 Chen D12/211
D522,438 S * 6/2006 Kern D12/209
D528,955 S * 9/2006 Kim D12/209
D557,650 S * 12/2007 Musser D12/211
D593,019 S * 5/2009 Tirado D12/209
D635,903 S * 4/2011 Zhang D12/209
D657,296 S * 4/2012 Johnson D12/209
D717,709 S * 11/2014 Valencia Pollex D12/209

* cited by examiner

Primary Examiner — Stacia Cadmus

(74) *Attorney, Agent, or Firm* — Snell & Wilmer LLP

(57) **CLAIM**

I claim the ornamental design for a vehicle wheel, as shown and described.

DESCRIPTION

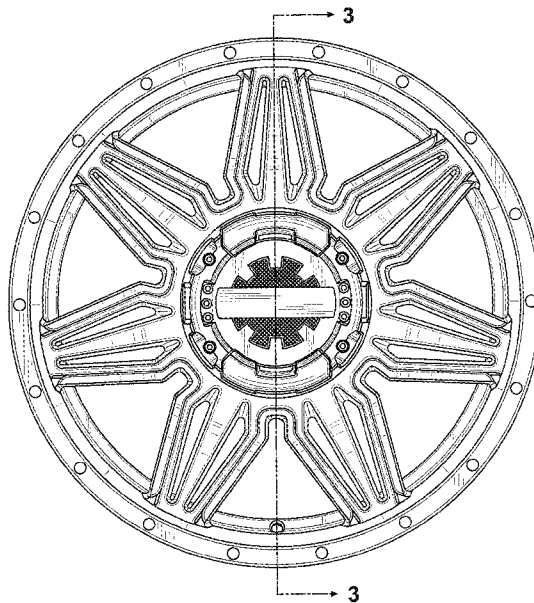
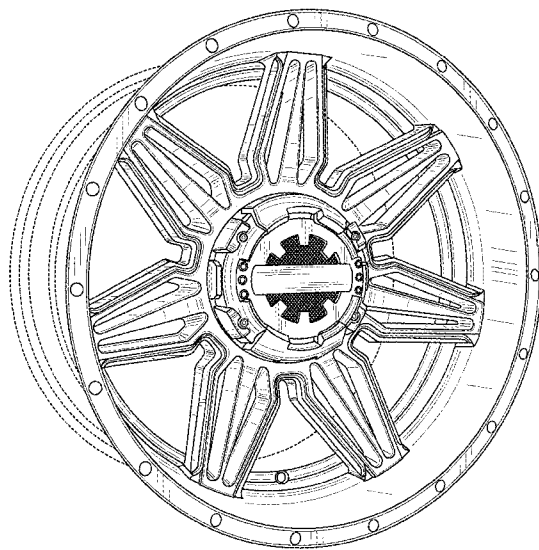
FIG. 1 is a perspective view of the vehicle wheel showing my new design;

FIG. 2 is a front view of the vehicle wheel; and,

FIG. 3 is a cross-sectional view taken along the line 3-3 of FIG. 2.

The broken lines showing portions of the vehicle wheel are for illustrative purposes only and form no part of the claimed design.

1 Claim, 3 Drawing Sheets



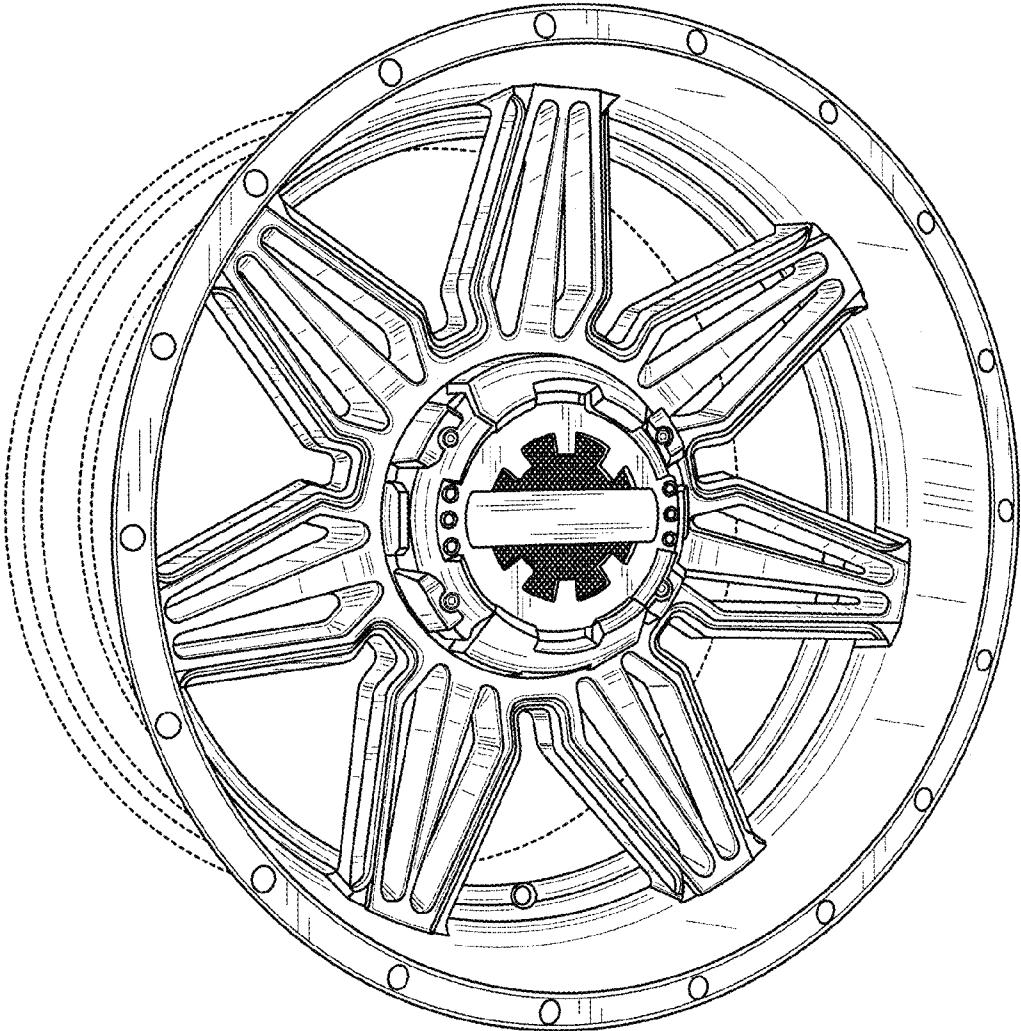


FIG. 1

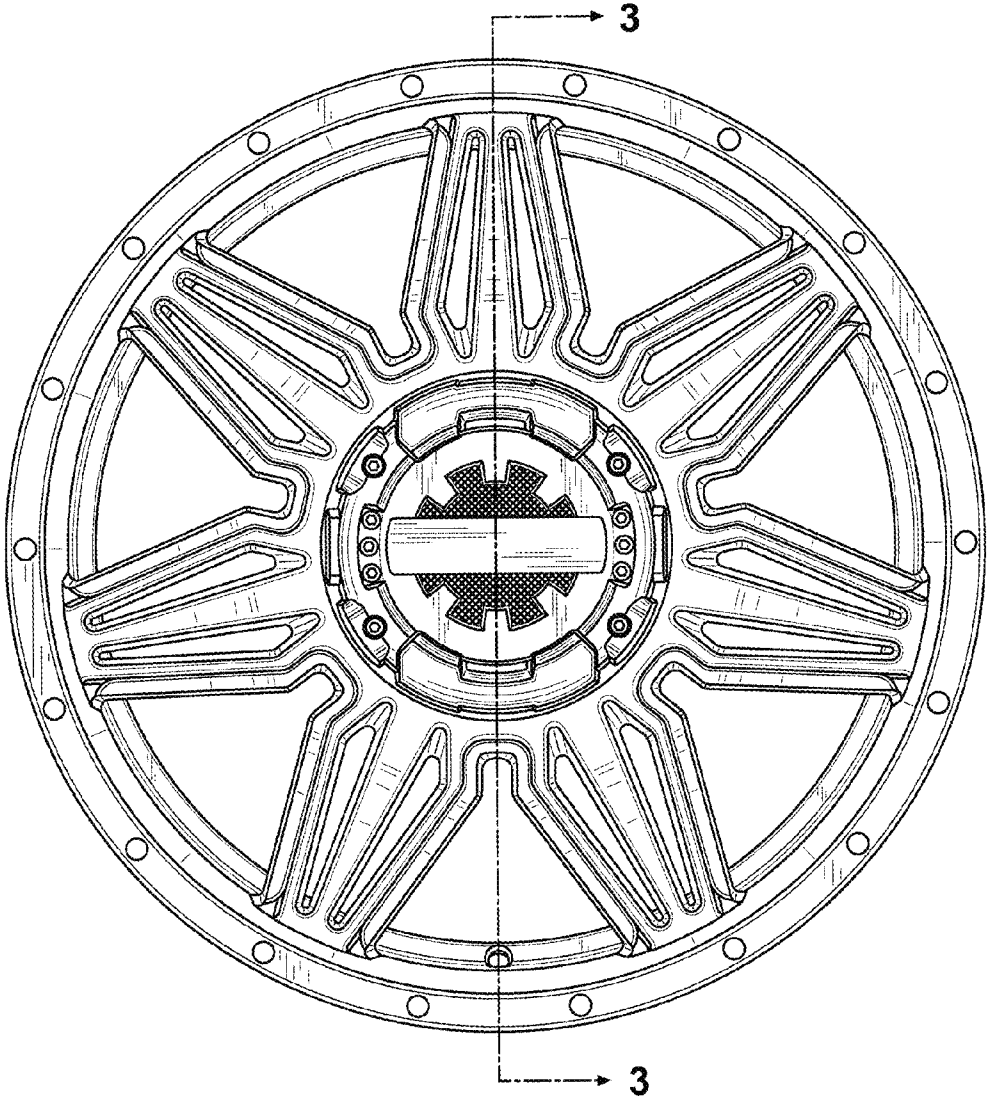


FIG. 2

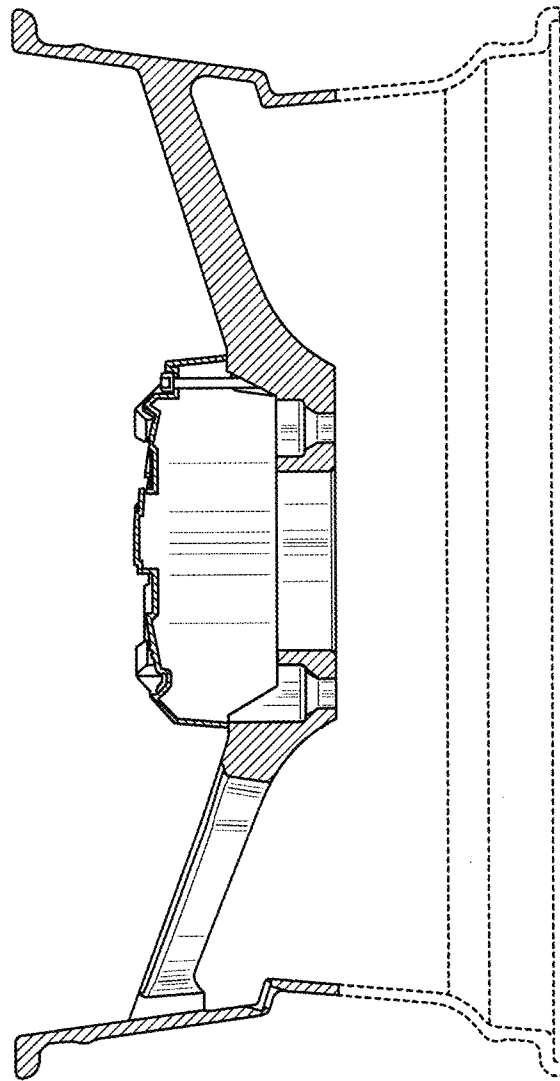


FIG. 3