



US00D764605S

(12) **United States Design Patent**
Ueda et al.

(10) **Patent No.:** **US D764,605 S**

(45) **Date of Patent:** **** Aug. 23, 2016**

(54) **TOY ROBOT**

(71) Applicant: **BANDAI CO., LTD.**, Tokyo (JP)

(72) Inventors: **Masahiro Ueda**, Tokyo (JP); **Masayuki Endo**, Tokyo (JP); **Naomi Takebe**, Tokyo (JP); **Takashi Kunita**, Tokyo (JP)

(73) Assignee: **BANDAI CO., LTD.**, Tokyo (JP)

(**) Term: **15 Years**

(21) Appl. No.: **29/526,904**

(22) Filed: **May 13, 2015**

(30) **Foreign Application Priority Data**

Nov. 14, 2014 (JP) 2014-025363

(51) **LOC (10) CL.** **21-01**

(52) **U.S. CL.**

USPC **D21/578**

(58) **Field of Classification Search**

USPC D21/578-583, 621, 622; 446/268-274, 446/279, 280, 285, 289-292, 294, 297-303, 446/353-355, 376-384; D15/199; 318/568.11, 568.12, 568.2

CPC B25J 9/00

See application file for complete search history.

(56) **References Cited**

U.S. PATENT DOCUMENTS

D453,199	S	*	1/2002	Sawai	D21/578
D534,971	S	*	1/2007	Chung	D21/578
D561,213	S	*	2/2008	Mitchell	D15/199
D561,214	S	*	2/2008	Mitchell	D12/578
D561,215	S	*	2/2008	Mitchell	D15/199
D561,795	S	*	2/2008	Mitchell	D15/199
D593,164	S	*	5/2009	Sonoda	D21/578
D622,786	S	*	8/2010	Lee	D21/578
D645,523	S	*	9/2011	Wong	D15/199
D647,149	S	*	10/2011	Wong	D15/199
D662,154	S	*	6/2012	Hara	D15/199

* cited by examiner

Primary Examiner — Zenia Bennett

(74) *Attorney, Agent, or Firm* — Rabin & Berdo, P.C.

(57) **CLAIM**

The ornamental design for a toy robot, as shown and described.

DESCRIPTION

FIG. 1 is a perspective view of a toy robot; FIG. 2 is another perspective view thereof; FIG. 3 is a front view thereof; FIG. 4 is a rear view thereof; FIG. 5 is a top view thereof; FIG. 6 is a bottom view thereof; FIG. 7 is a right side thereof; and, FIG. 8 is a left side view thereof.

1 Claim, 8 Drawing Sheets

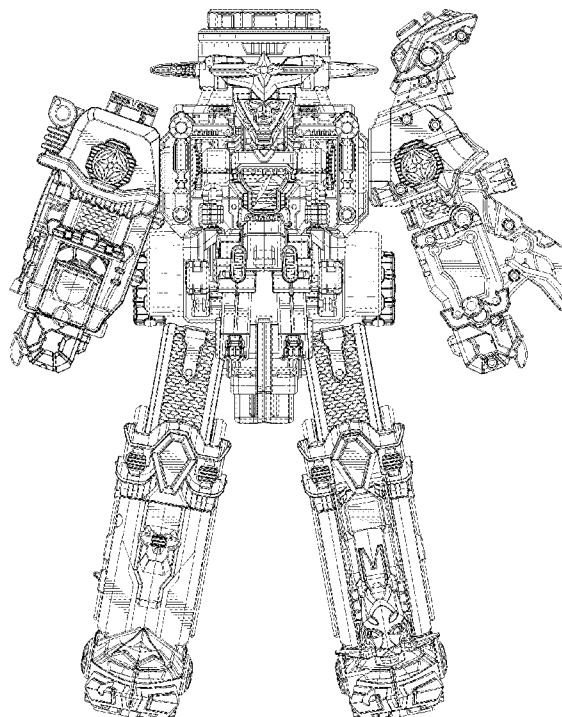


FIG. 1

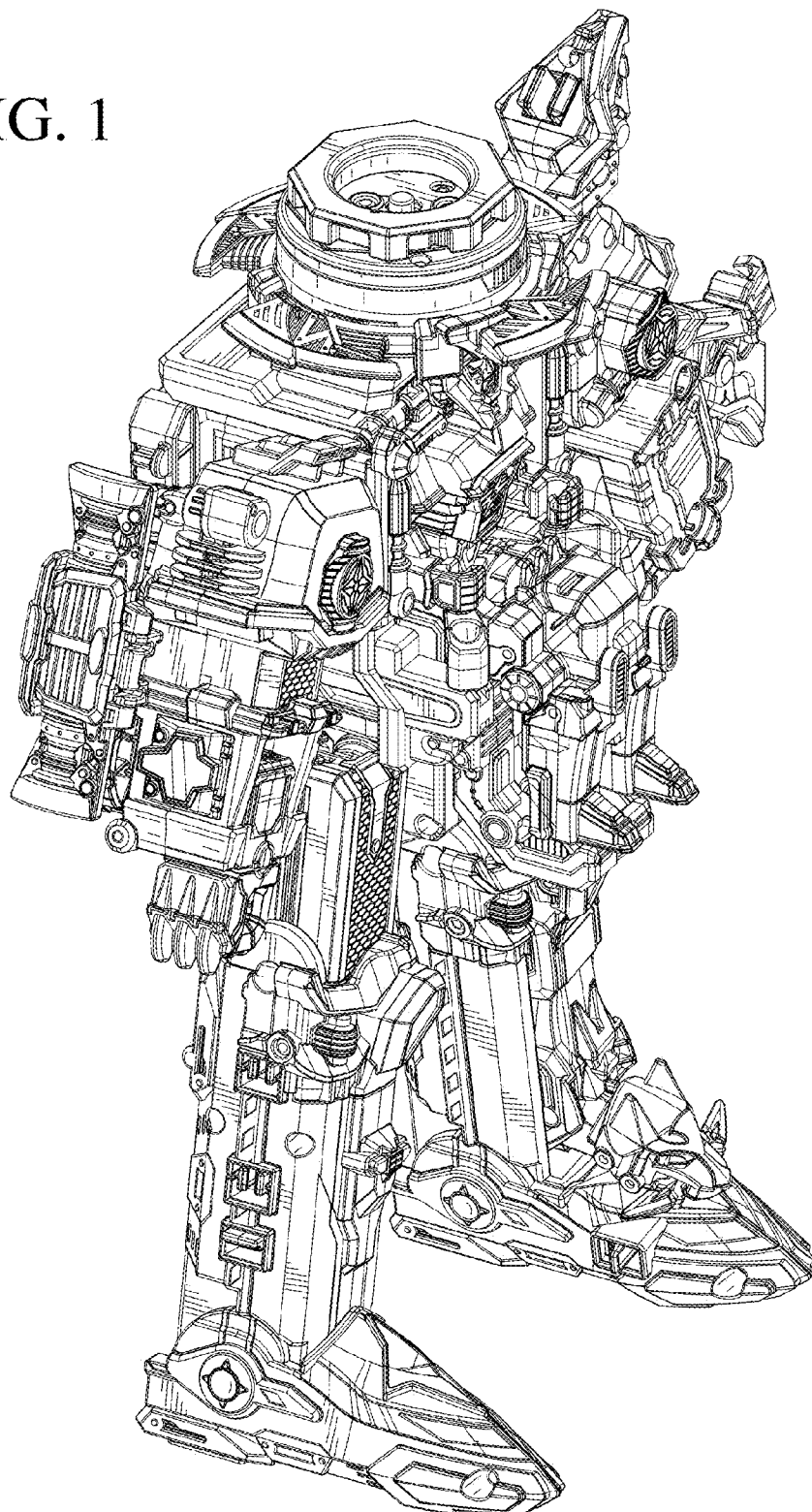


FIG. 2

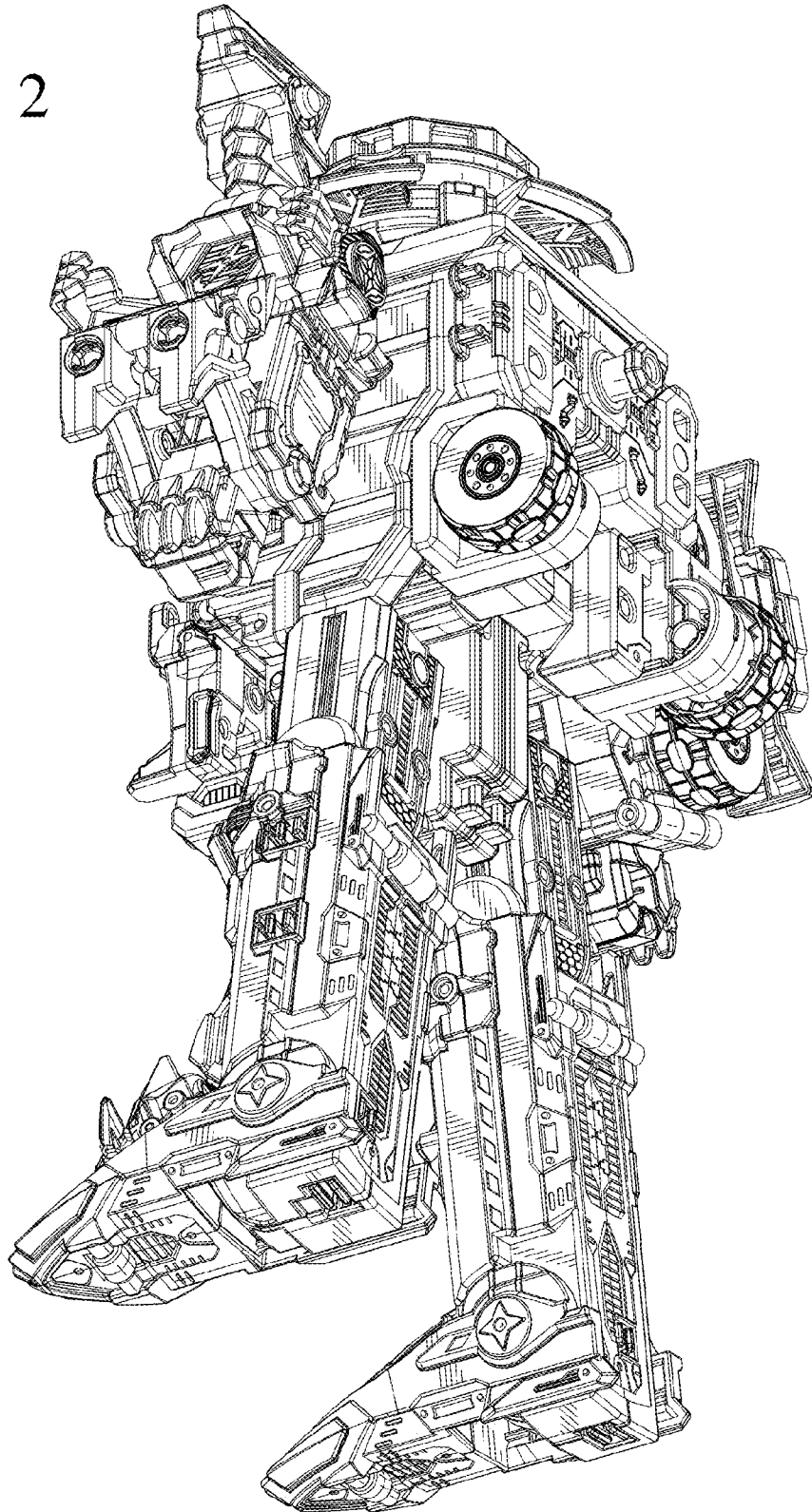
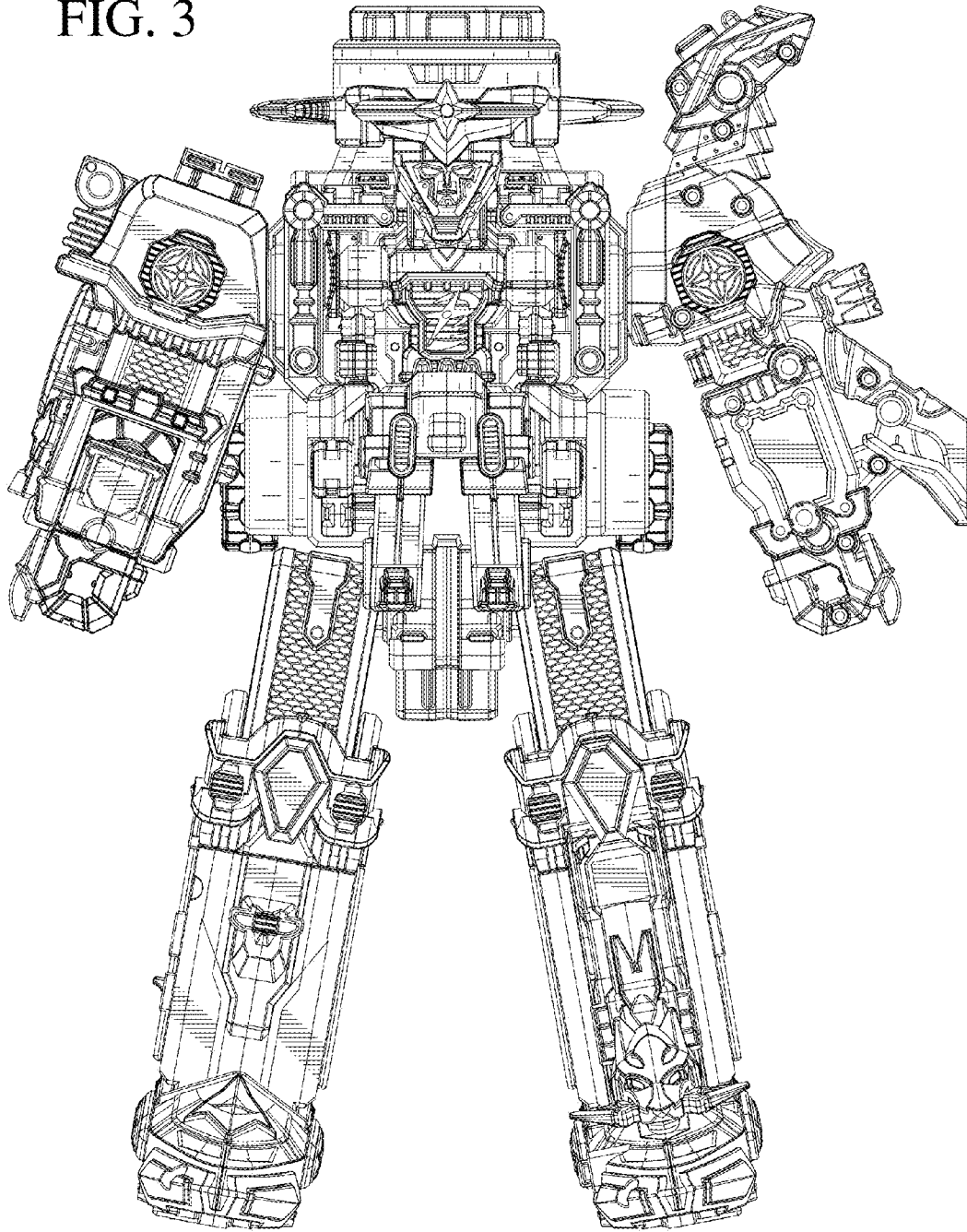


FIG. 3



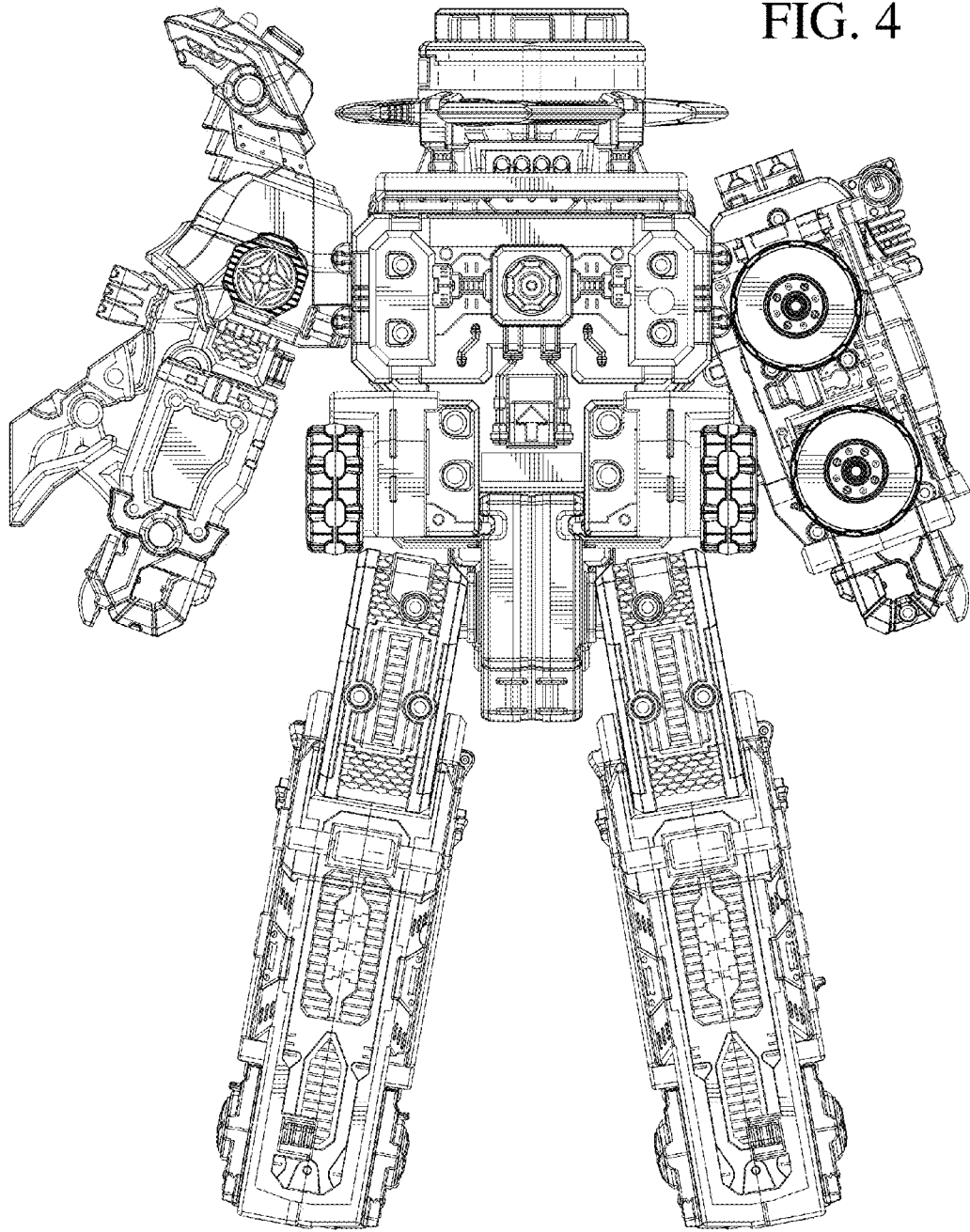


FIG. 4

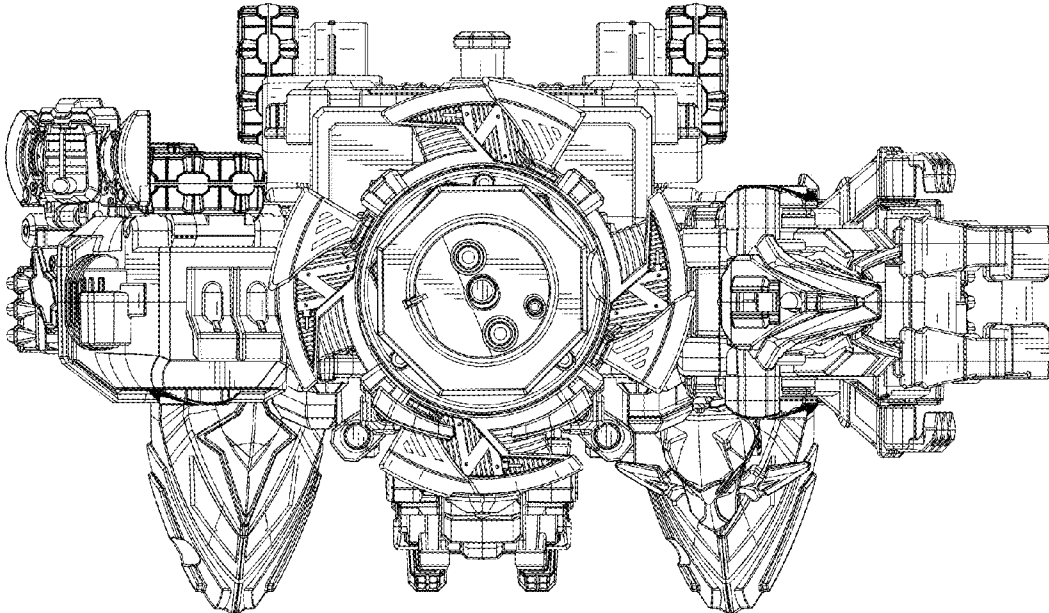


FIG. 5

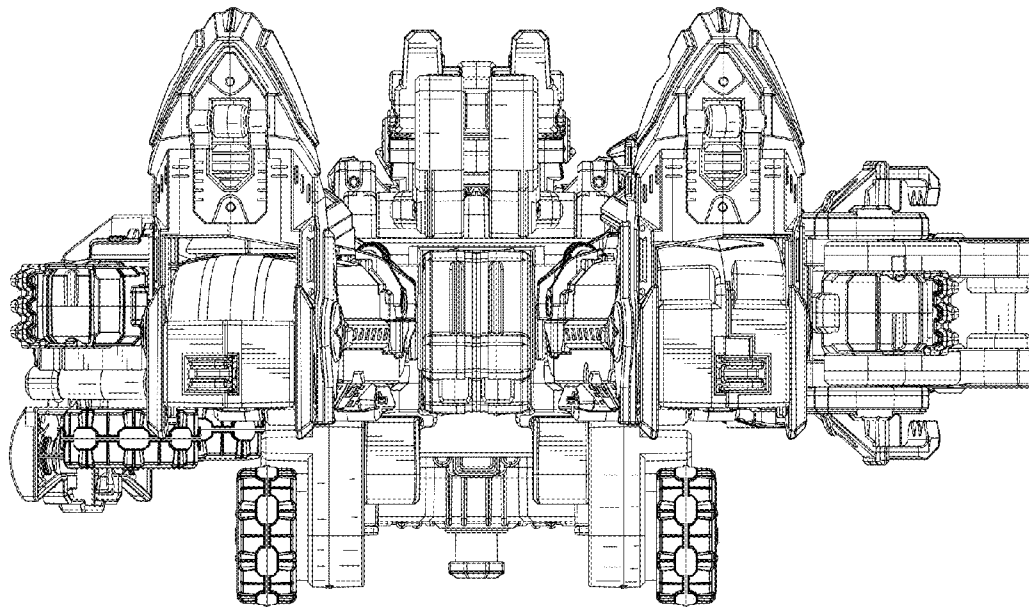


FIG. 6

FIG. 7

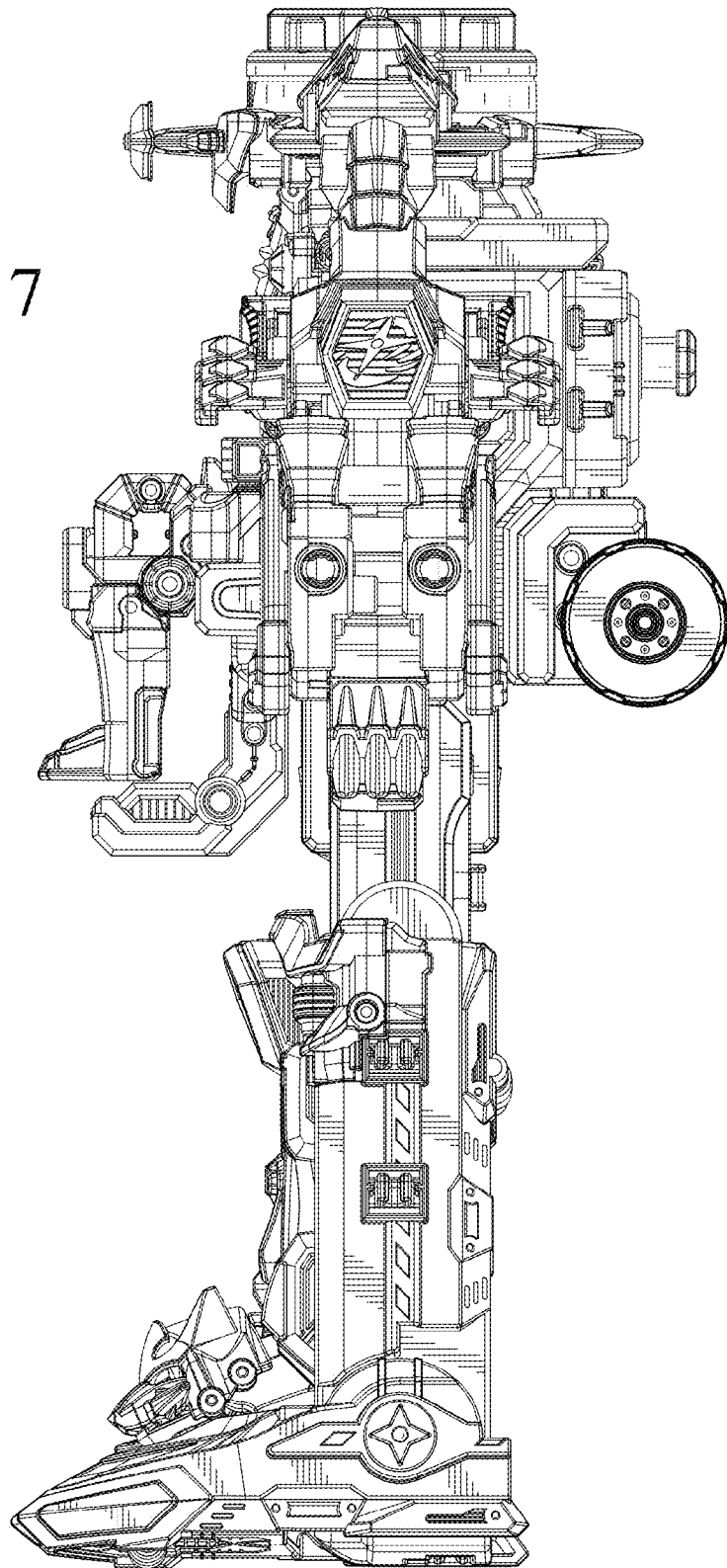


FIG. 8

