



US00D986979S

(12) **United States Design Patent**
Hu et al.

(10) **Patent No.:** **US D986,979 S**

(45) **Date of Patent:** **** May 23, 2023**

(54) **SCOOTER**

(71) Applicant: **Beijing Niu Information Technology Co., Ltd., Beijing (CN)**

(72) Inventors: **Yilin Hu, Beijing (CN); Chuankai Liu, Beijing (CN); Hao Miao, Beijing (CN)**

(73) Assignee: **Beijing Niu Information Technology Co., Ltd., Beijing (CN)**

(**) Term: **15 Years**

(21) Appl. No.: **29/740,356**

(22) Filed: **Jul. 2, 2020**

(30) **Foreign Application Priority Data**

Jan. 3, 2020 (CN) 202030003265.3

(51) **LOC (14) Cl.** **12-11**

(52) **U.S. Cl.**
USPC **D21/423**

(58) **Field of Classification Search**
USPC D21/419, 421, 423, 760, 765, 771;
D12/1, 8, 107, 110, 112-114
CPC . B62K 3/002; B62K 9/00; B62K 9/02; B62K
2202/00; B62K 13/00; B62K 11/00;
B62K 11/02; B62K 11/06; B62K 11/10;
B62K 15/00; B62K 17/00; B60Y
2200/126; H04W 4/40

See application file for complete search history.

(56) **References Cited**

U.S. PATENT DOCUMENTS

2,076,804 A * 4/1937 Winding B62M 1/32
188/24.11
D450,354 S * 11/2001 Tsai D21/423
D778,806 S * 2/2017 Welford D12/423
D829,826 S * 10/2018 Liu D21/423
D834,097 S * 11/2018 Lin D21/423
D858,647 S * 9/2019 Liu D21/423

D886,907 S * 6/2020 Gao D21/423
D900,237 S * 10/2020 Lee D21/423
D912,159 S * 3/2021 Lee D21/423
D912,736 S * 3/2021 Lee D21/423
D914,106 S * 3/2021 Murphy D21/423
D917,624 S * 4/2021 Wu D21/423

(Continued)

FOREIGN PATENT DOCUMENTS

CN 104260808 A * 1/2015 B62K 11/00
CN 303684781 * 5/2016

(Continued)

OTHER PUBLICATIONS

“Segway Ninebot ES4 Electric Kick Scooter,” Jul. 1, 2019, amazon.com, site visited Aug. 4, 2022, URL: https://www.amazon.com/ES4-Electric-Additional-Lightweight-Foldable/dp/B07TNCWY82/ref=sr_1_10?crd=8YPEIZBUMZFE&keywords=ninebot+scooter&qid=1659616626&sprefix=ninebot+scooter%2Caps%2C85&sr=8-10 (Year: 2019).*

(Continued)

Primary Examiner — Christy Nemeth
Assistant Examiner — Sarah L Smith

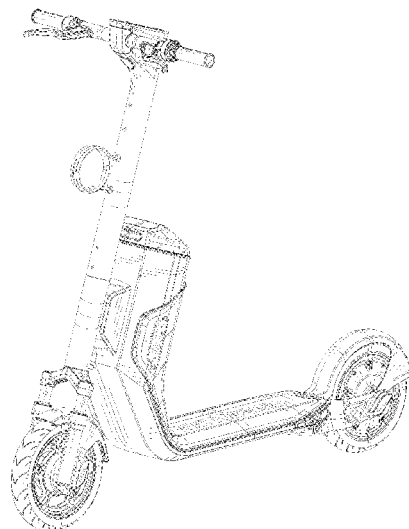
(57) **CLAIM**

The ornamental design for a scooter, as shown and described.

DESCRIPTION

FIG. 1 is a front view of a scooter showing my new design; FIG. 2 is a rear view thereof; FIG. 3 is a left view thereof; FIG. 4 is a right view thereof; FIG. 5 is a top view thereof; FIG. 6 is a bottom view thereof; and, FIG. 7 is a perspective view thereof. The broken lines in the drawings illustrate portions of the scooter and form no part of the claimed design.

1 Claim, 6 Drawing Sheets



(56)

References Cited

U.S. PATENT DOCUMENTS

D917,625	S	*	4/2021	Lee	D21/423
D923,714	S	*	6/2021	Shen	D21/423
D927,604	S	*	8/2021	Han	D21/423
D936,151	S	*	11/2021	Lisle	D21/423
D940,252	S	*	1/2022	Deng	D21/423
D943,030	S	*	2/2022	Chen	D21/423
D943,677	S	*	2/2022	Ying	D21/423
D949,748	S	*	4/2022	Lu	D12/110
D957,533	S	*	7/2022	Burkatskyy	D21/423
D958,257	S	*	7/2022	Cai	D21/423
D958,900	S	*	7/2022	Liu	D21/423
2002/0066610	A1	*	6/2002	Tsai	B62M 6/75 180/68.5
2002/0070063	A1	*	6/2002	Tsai	B62M 13/00 180/68.5

FOREIGN PATENT DOCUMENTS

CN	112896397	A	*	6/2021	B62K 15/00
DE	20311238	U1	*	9/2003	B62K 3/002
EM	005843398-0001		*	12/2018		
EP	3943373	A1	*	1/2022		
RU	00095647		*	10/2015	B62K 15/00
TW	168000-0001		*	5/2015	B62K 3/002

OTHER PUBLICATIONS

Sasha Lekach, "Privacy groups actually side with Uber in scooter data fight," Oct. 29, 2019, URL: <https://mashable.com/article/uber-jump-scooter-la-data-policy> (Year: 2019).*

* cited by examiner

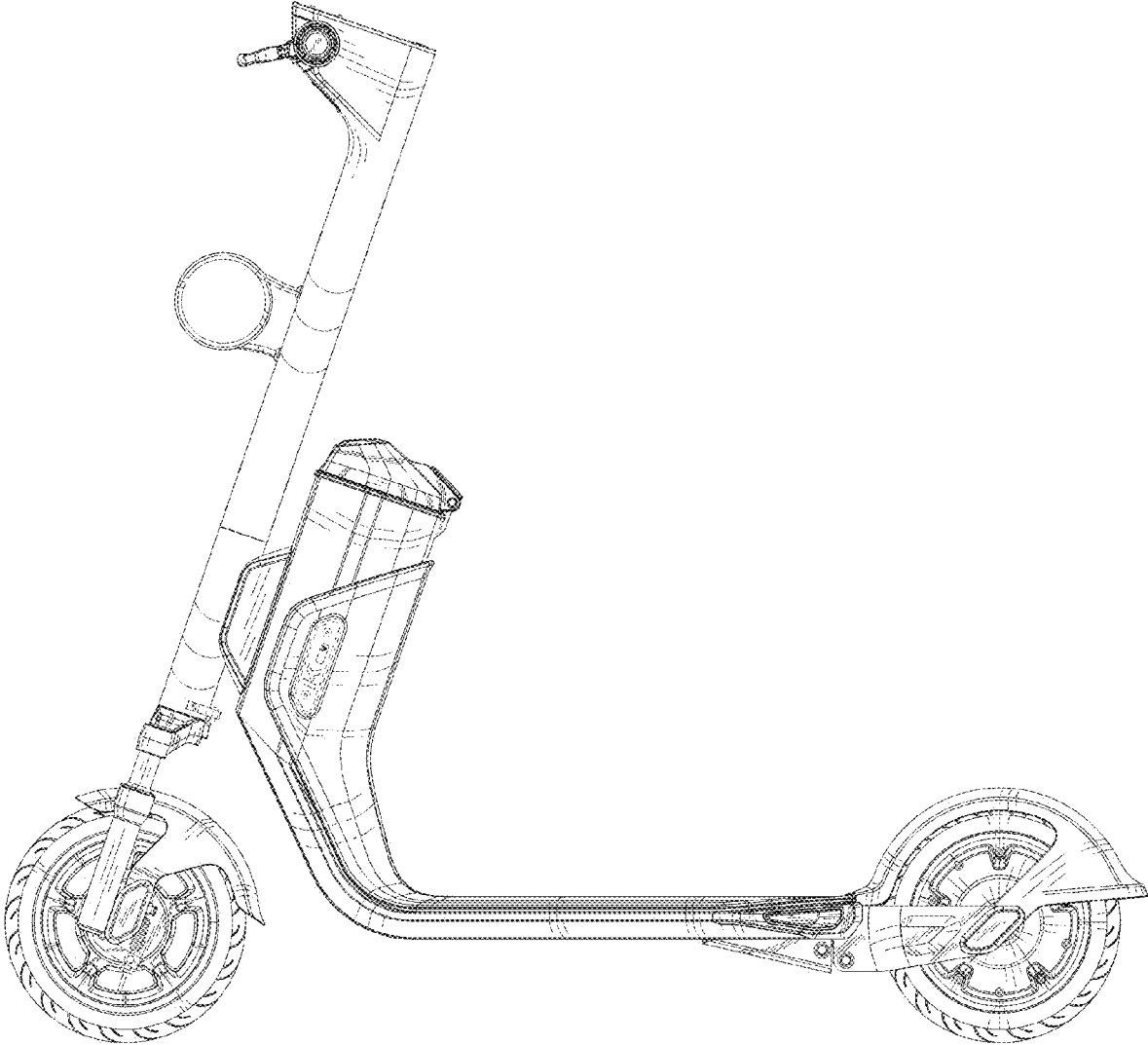


FIG. 1

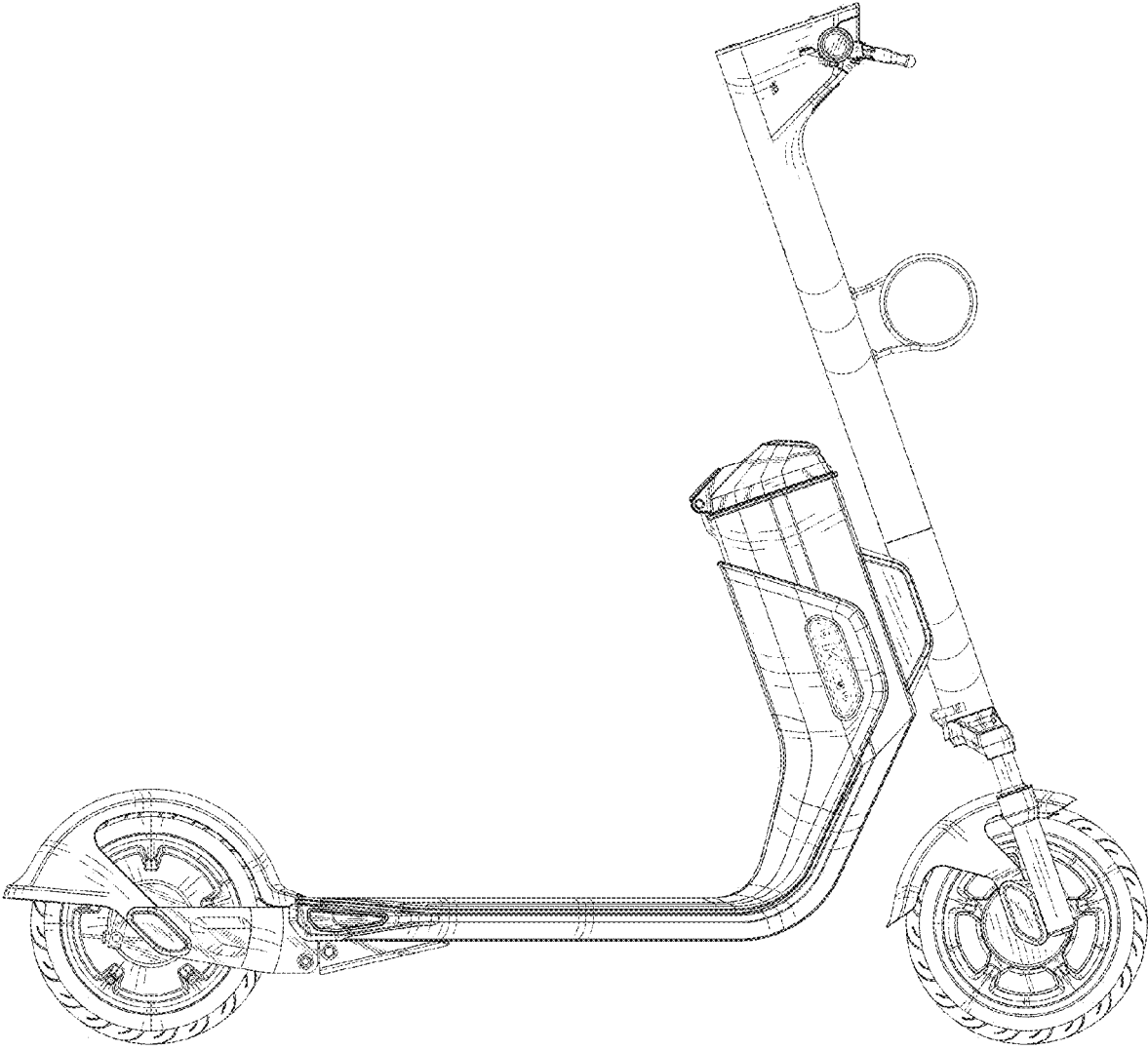


FIG. 2

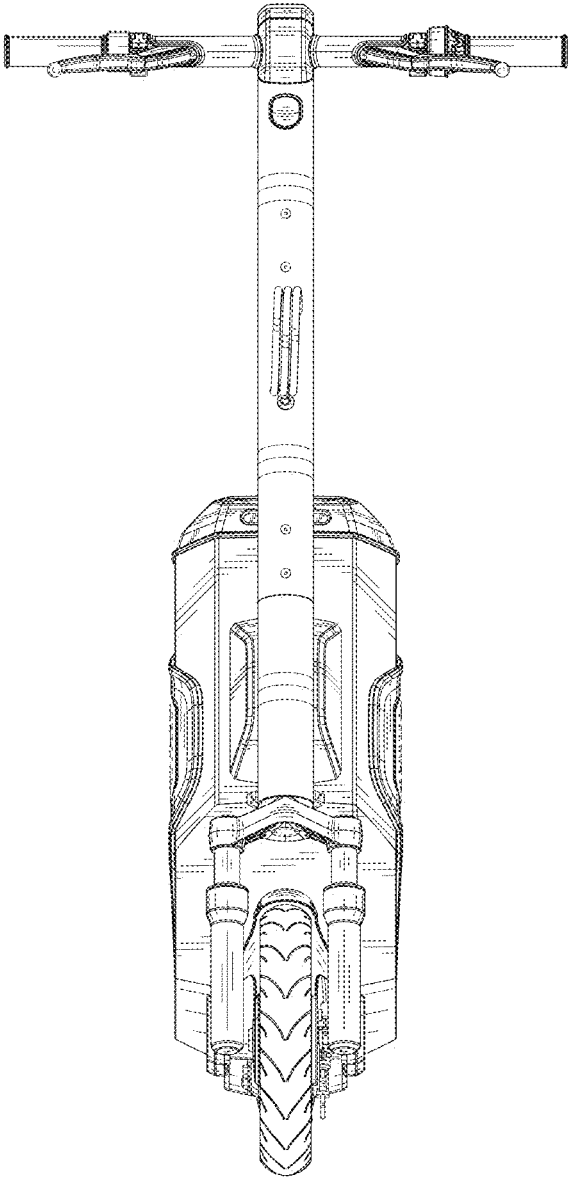


FIG.3

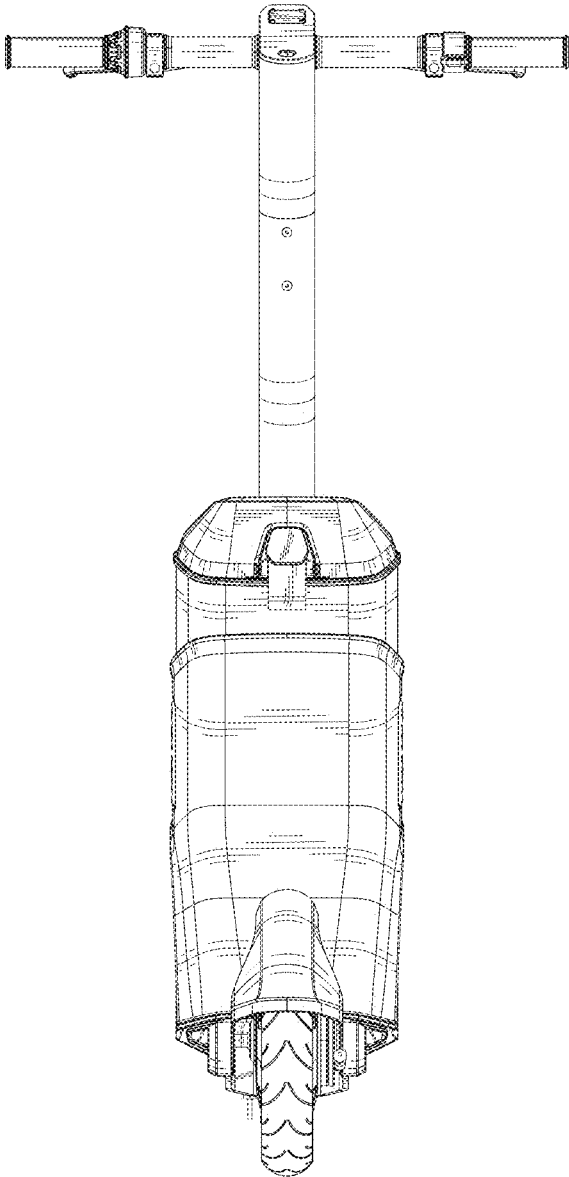


FIG.4

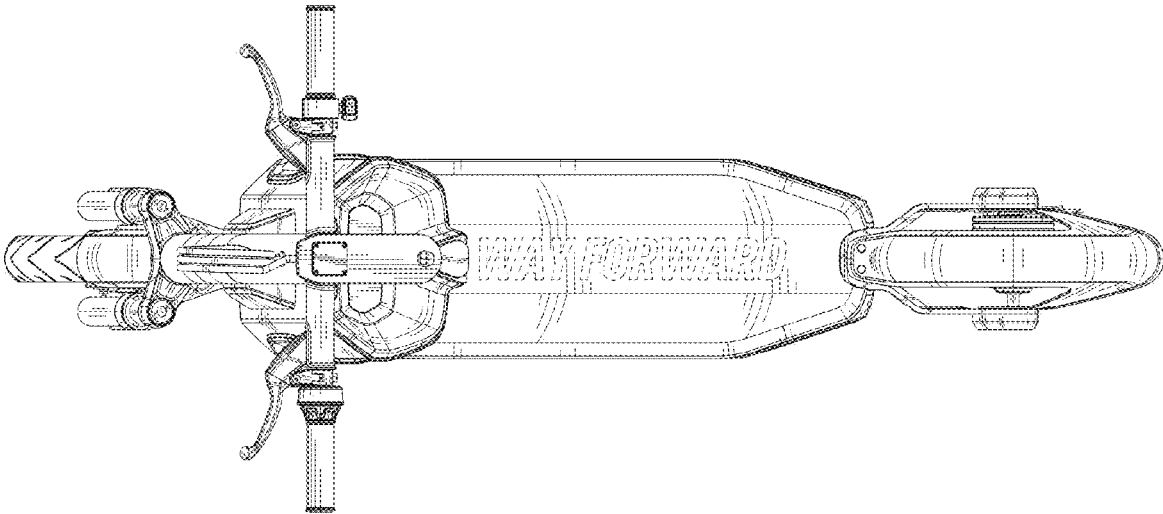


FIG.5

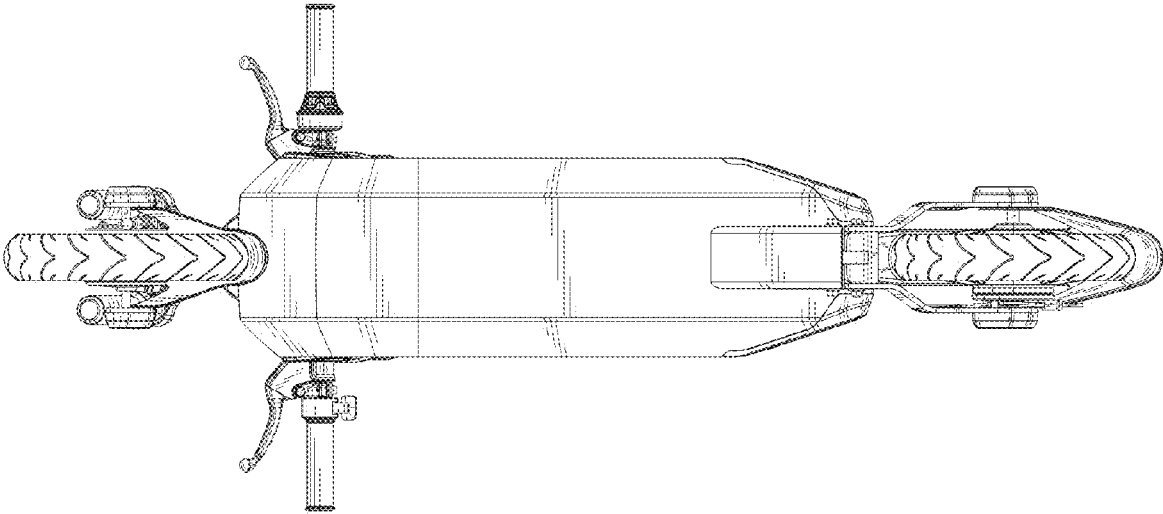


FIG.6

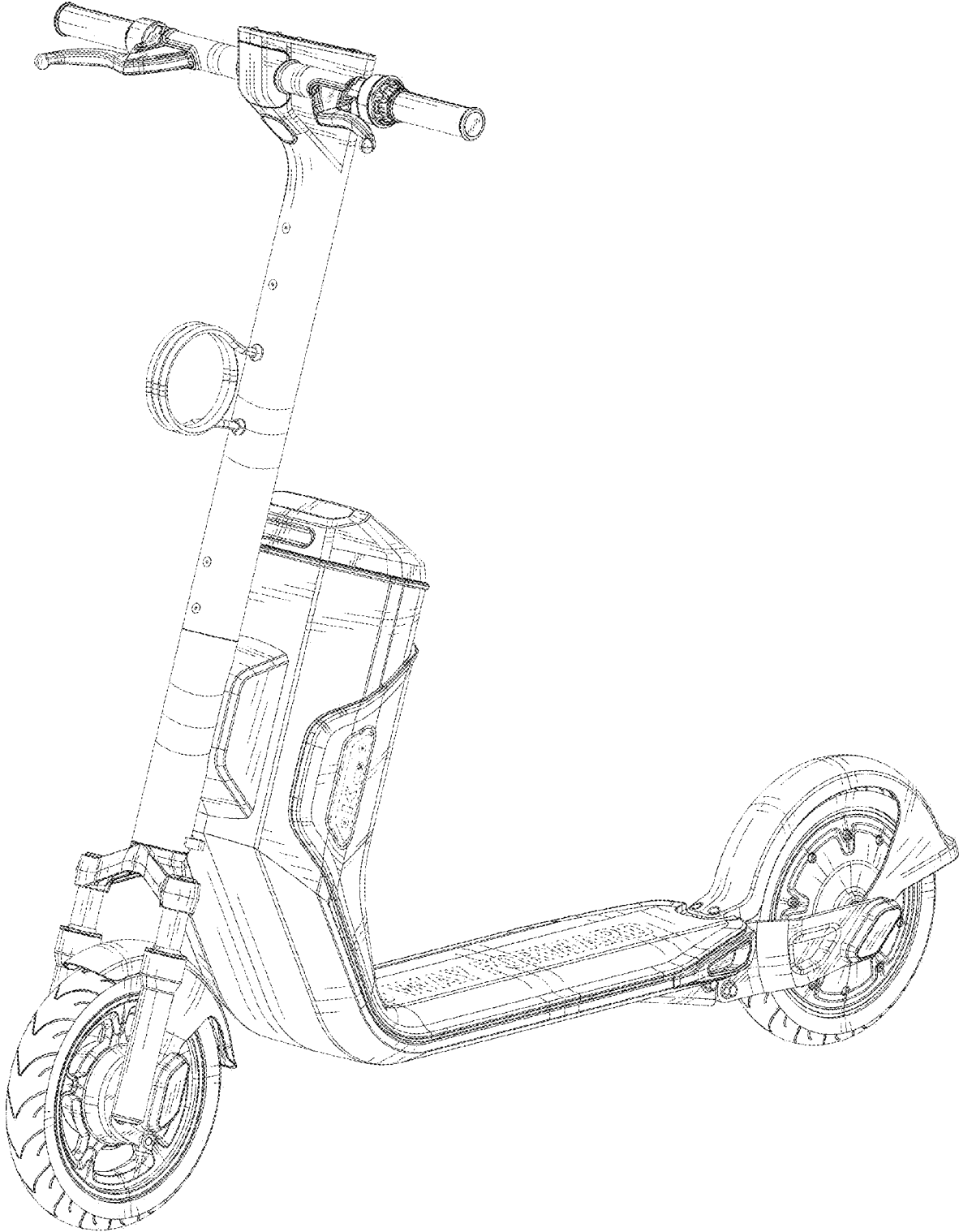


FIG. 7