



US00D726366S

(12) **United States Design Patent**
Kirakosian

(10) **Patent No.:** **US D726,366 S**

(45) **Date of Patent:** **** Apr. 7, 2015**

(54) **HOOKAH PIPE HEAD**

(71) Applicant: **Albert Kirakosian**, Northridge, CA
(US)

(72) Inventor: **Albert Kirakosian**, Northridge, CA
(US)

(**) Term: **14 Years**

(21) Appl. No.: **29/440,163**

(22) Filed: **Dec. 19, 2012**

(51) **LOC (10) Cl.** **27-02**

(52) **U.S. Cl.**

USPC **D27/167**; D27/162

(58) **Field of Classification Search**

USPC D27/106, 162–169, 194; 131/220–222,
131/226, 173, 174, 194, 329–330

See application file for complete search history.

(56) **References Cited**

U.S. PATENT DOCUMENTS

D42,165 S *	2/1912	Clemens	D27/168
1,881,793 A *	10/1932	Mariani	131/194
D127,324 S *	5/1941	Leser	D27/164
D131,197 S *	1/1942	Leser	D27/164
D132,561 S *	5/1942	Clements	D27/164
2,285,057 A *	6/1942	Russell	131/194
2,325,412 A *	7/1943	Martin	131/196
2,335,087 A *	11/1943	Schmier	131/194
D143,257 S *	12/1945	Abrams	D27/164
D147,363 S *	8/1947	Danilowicz	D27/164

2,529,278 A *	11/1950	Bowers	131/185
D249,071 S *	8/1978	Shepard, Jr.	D27/162
D632,426 S *	2/2011	Badawi	D27/162
D680,684 S *	4/2013	Enshiwat	D27/162
D684,313 S *	6/2013	Wu	D27/164
8,464,725 B2 *	6/2013	Badawi	131/173
8,763,799 B2 *	7/2014	Haidar	206/242
2010/0218778 A1 *	9/2010	Borden	131/194
2011/0308537 A1 *	12/2011	Khoury et al.	131/174

* cited by examiner

Primary Examiner — Susan Bennett Hattan

Assistant Examiner — Janice Hallmark

(74) *Attorney, Agent, or Firm* — Russo & Duckworth, LLP;
David G. Duckworth

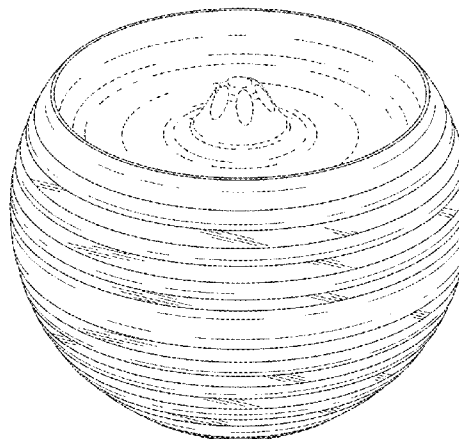
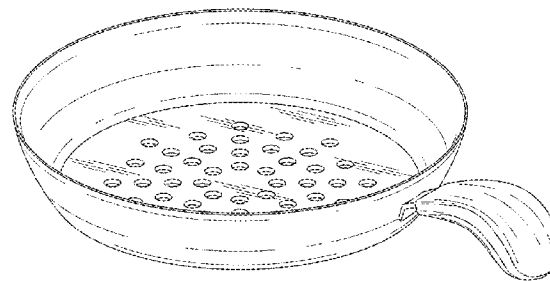
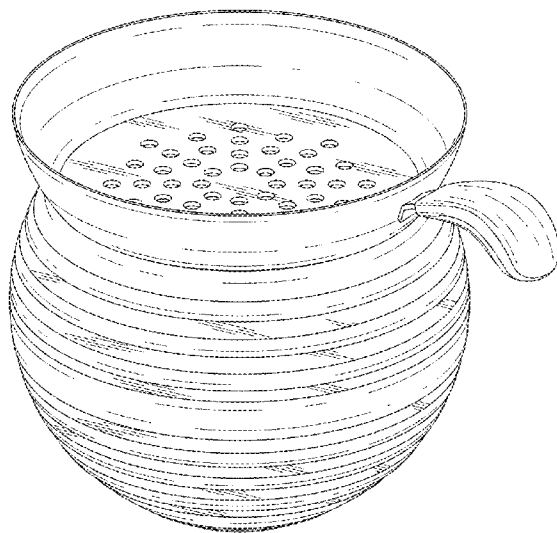
(57) **CLAIM**

The ornamental design for the hookah pipe head, as shown and described.

DESCRIPTION

FIG. 1 is a perspective view of the hookah pipe head; FIG. 2 is an exploded perspective view of the hookah pipe head; FIG. 3 is a front elevation view of the hookah pipe head; FIG. 4 is a rear elevation view of the hookah pipe head; FIG. 5 is a left side elevation view of the hookah pipe head; FIG. 6 is a right side elevation view of the hookah pipe head; FIG. 7 is a top plan view of the hookah pipe head; and, FIG. 8 is a bottom plan view of the hookah pipe head. The broken lines in the drawings illustrate portions of the hookah pipe head and form no part of the claimed design.

1 Claim, 4 Drawing Sheets



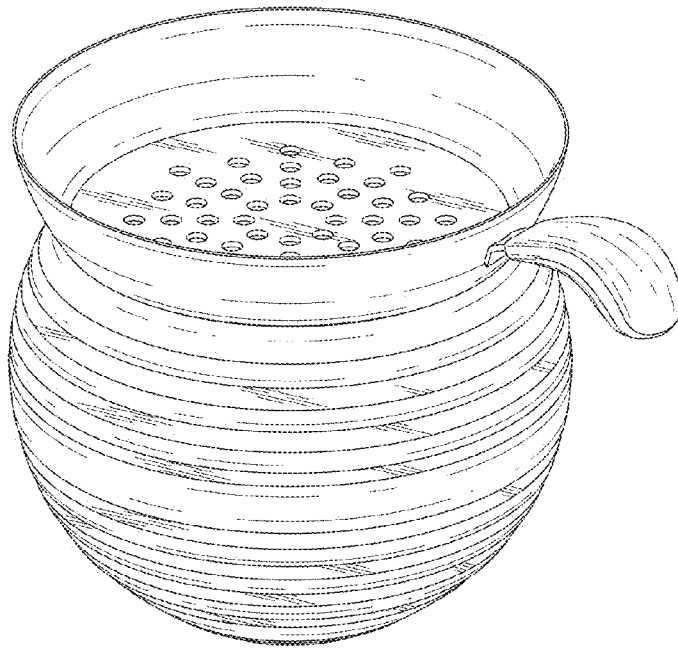


Fig. 1

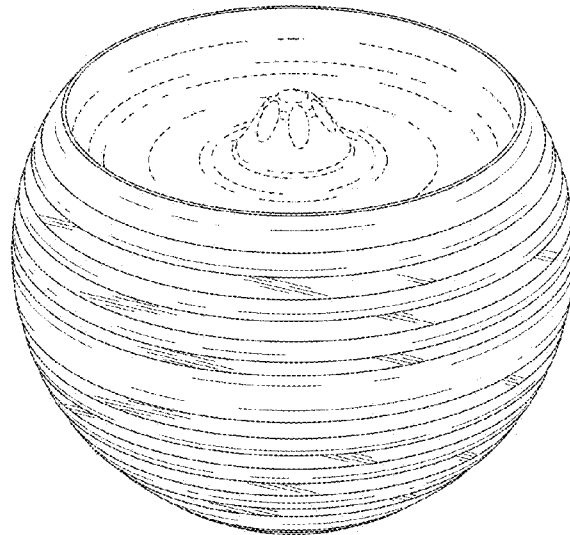
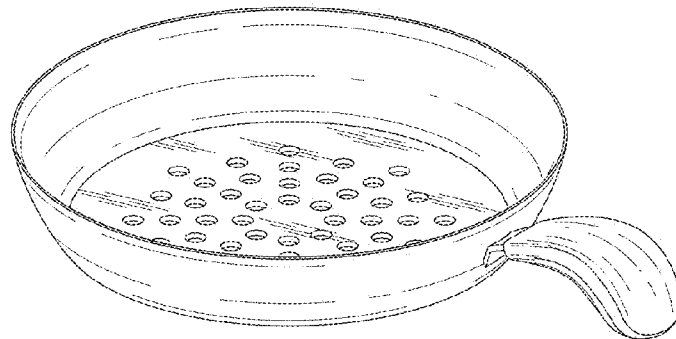


Fig. 2

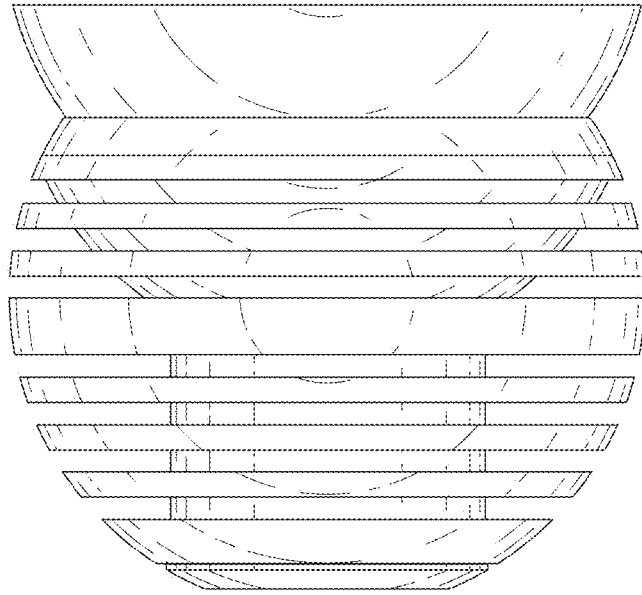


Fig. 3

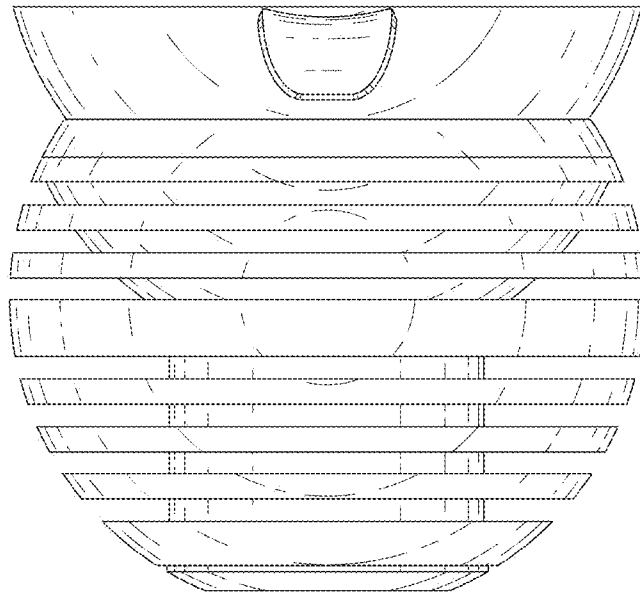


Fig. 4

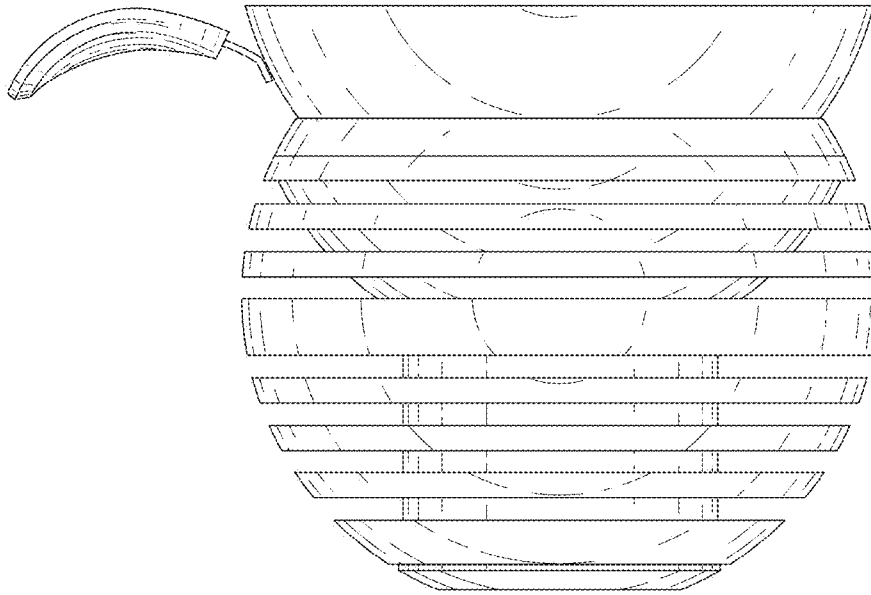


Fig. 5

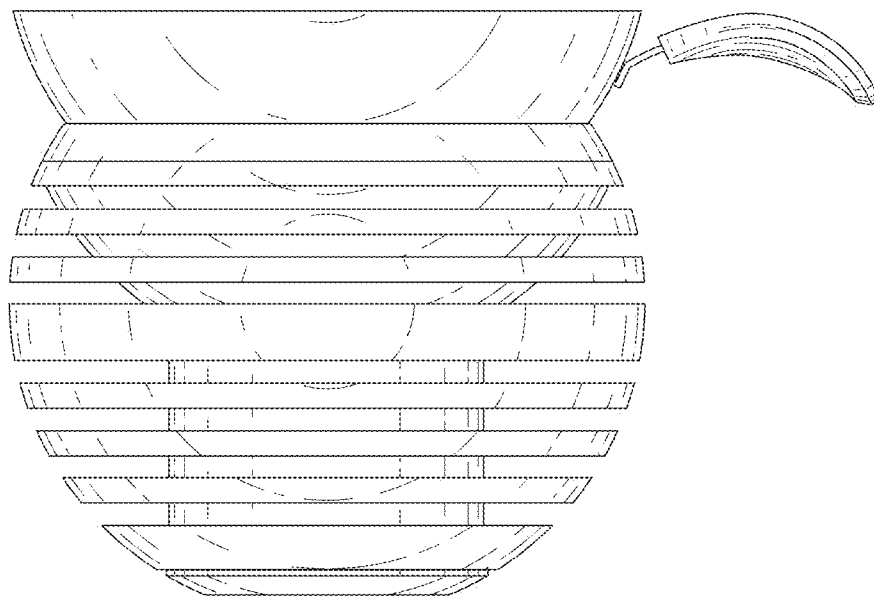


Fig. 6

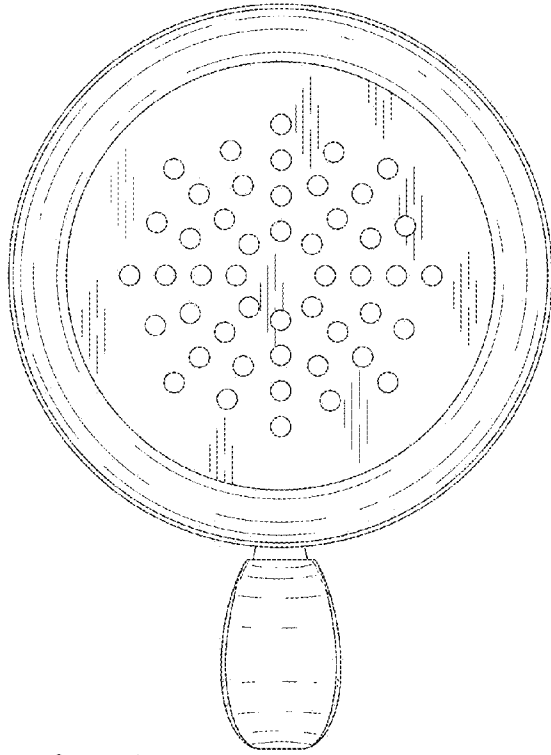


Fig. 7

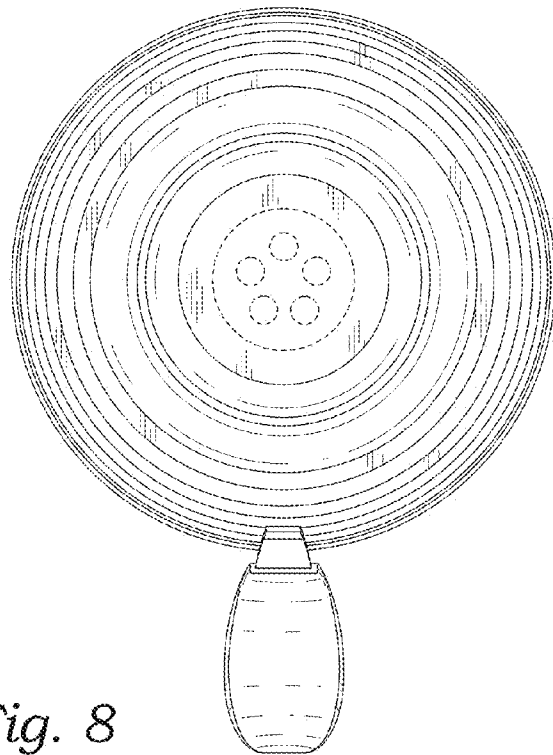


Fig. 8