



US00D715170S

(12) **United States Design Patent**
Brigham et al.

(10) **Patent No.:** **US D715,170 S**

(45) **Date of Patent:** **** Oct. 14, 2014**

(54) **FIRE ALARM**

(71) Applicant: **Sprue Safety Products Ltd.**, Coventry (GB)

(72) Inventors: **Peter Brigham**, Coventry (GB); **Chris Bolger**, Coventry (GB)

(73) Assignee: **Sprue Safety Products Ltd.** (GB)

(**) Term: **14 Years**

(21) Appl. No.: **29/483,907**

(22) Filed: **Mar. 4, 2014**

(30) **Foreign Application Priority Data**

Sep. 4, 2013 (EM) 002302489-0001

(51) **LOC (10) Cl.** **10-05**

(52) **U.S. Cl.**
USPC **D10/106.5**

(58) **Field of Classification Search**
USPC D10/106.1, 106.2, 106.5; 340/628-630,
340/571

See application file for complete search history.

(56) **References Cited**

U.S. PATENT DOCUMENTS

D252,862 S *	9/1979	Mackay	D10/106.5
D485,200 S *	1/2004	Berthold et al.	D10/106.5
D608,671 S *	1/2010	Treharne	D10/106.5
D653,575 S *	2/2012	Treharne et al.	D10/106.5
D703,565 S *	4/2014	Chen et al.	D10/106.5
D703,566 S *	4/2014	Chen et al.	D10/106.5

* cited by examiner

Primary Examiner — George D Kirschbaum

(74) *Attorney, Agent, or Firm* — Barnes & Thornburg LLP

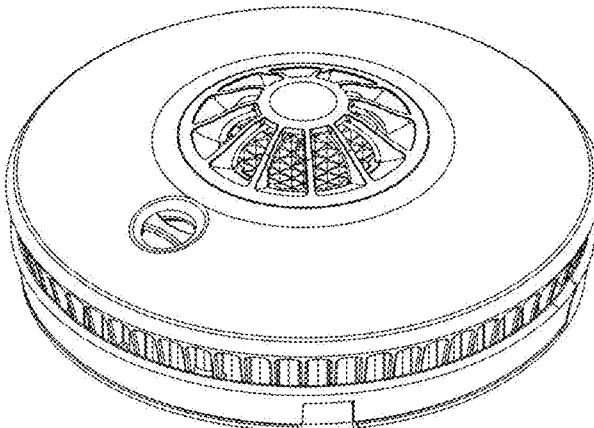
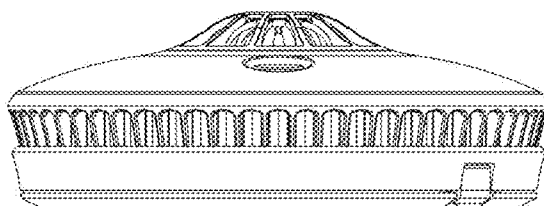
(57) **CLAIM**

What is claimed is the ornamental design for a fire alarm, as shown and described.

DESCRIPTION

FIG. 1 is a left view of our new design;
FIG. 2 is a front view thereof;
FIG. 3 is a back view thereof,
FIG. 4 is a top view thereof;
FIG. 5 is a right view thereof;
FIG. 6 is a perspective view thereof; and,
FIG. 7 is a bottom view thereof.
The broken lines shown in the drawings are for purposes of illustrating portions of the design and form no part of the claimed design.

1 Claim, 7 Drawing Sheets



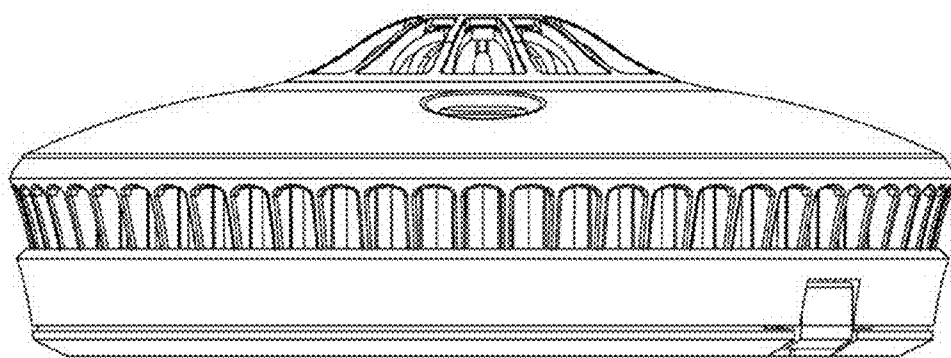


FIG. 1

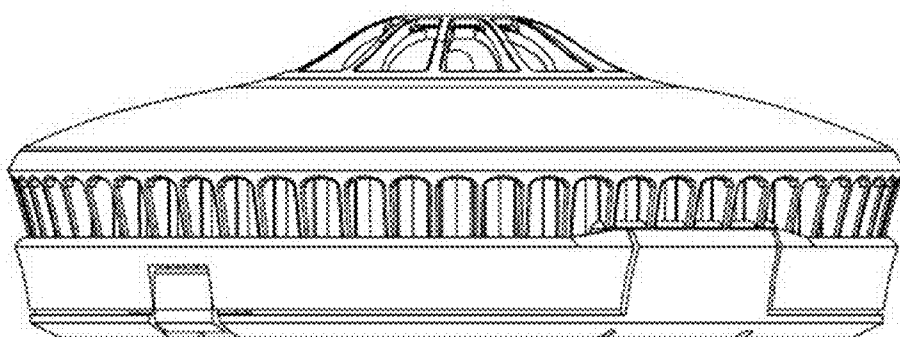


FIG. 2

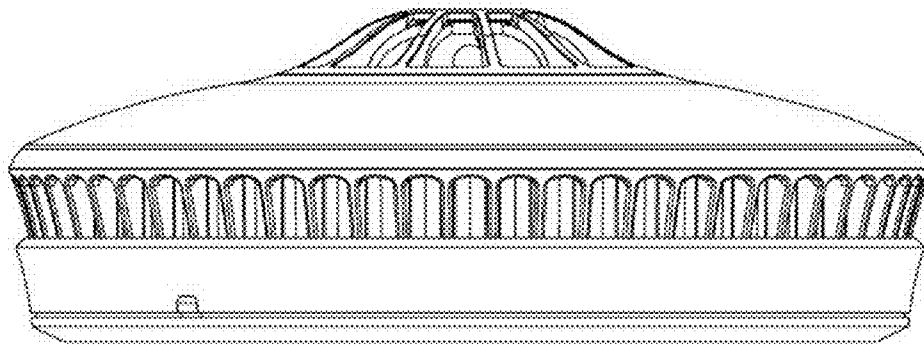


FIG. 3

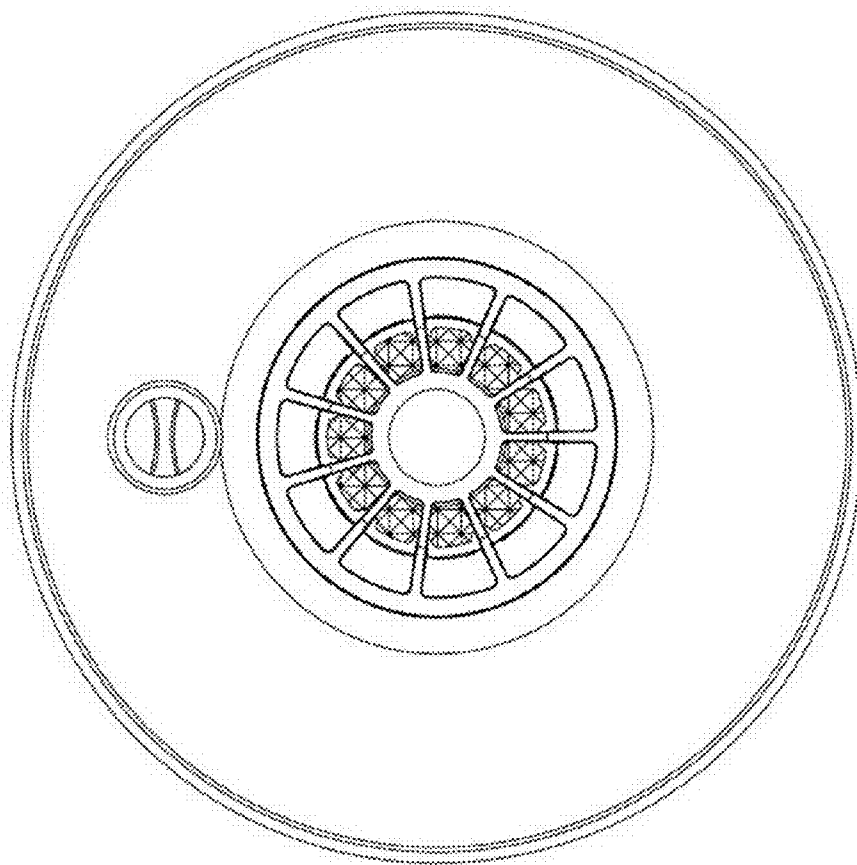


FIG. 4

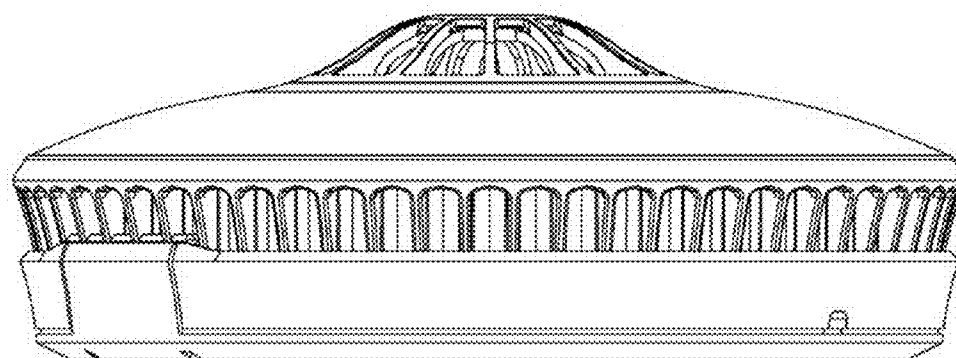


FIG. 5

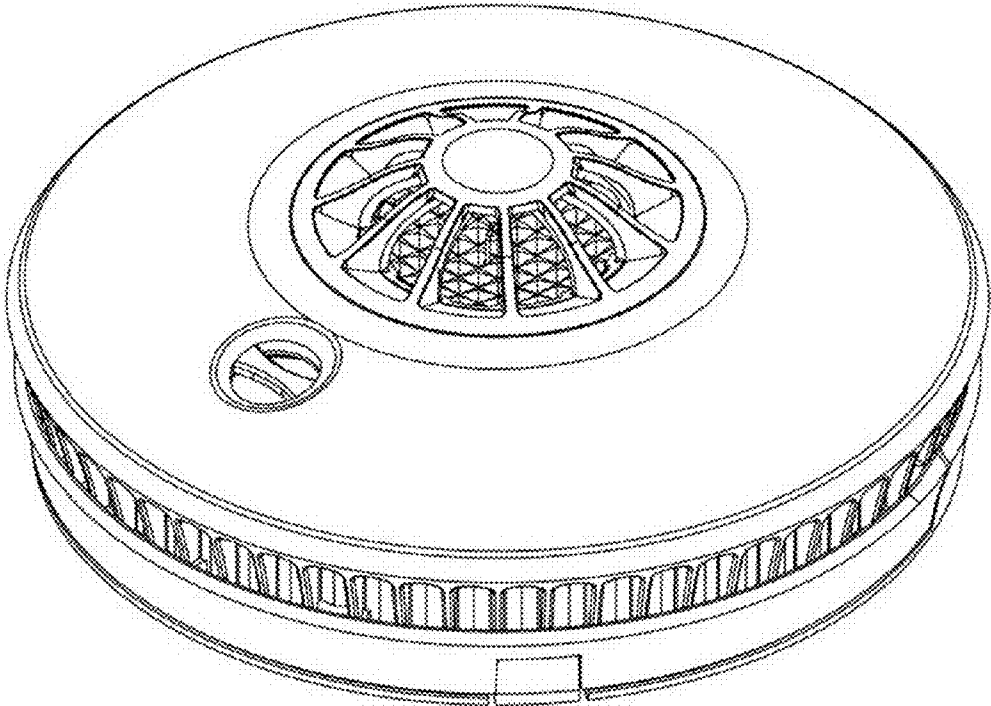


FIG. 6

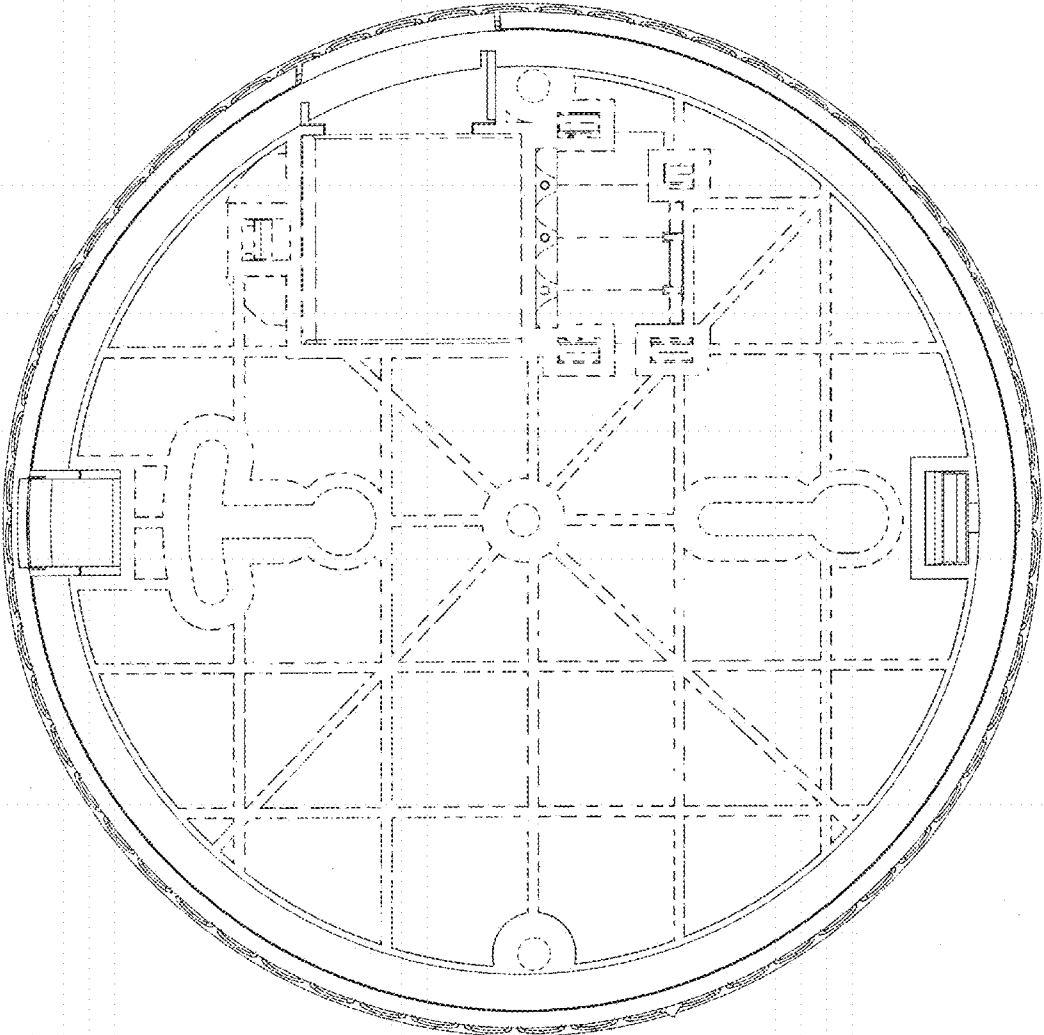


FIG. 7