

(19) World Intellectual Property Organization
International Bureau



(43) International Publication Date
31 May 2007 (31.05.2007)

PCT

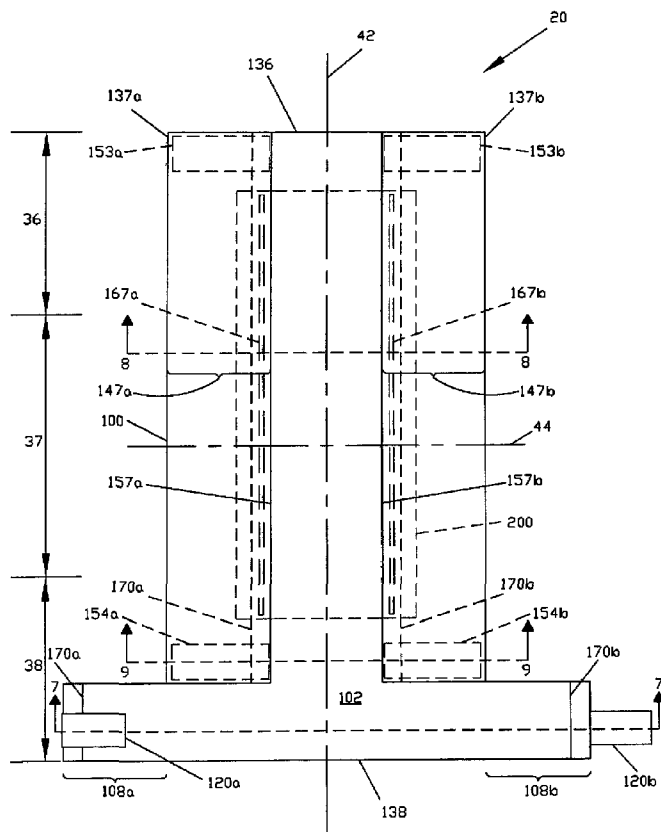
(10) International Publication Number
WO 2007/060612 A3

- (51) **International Patent Classification:**
A61F 13/56 (2006.01) A61F 13/532 (2006.01)
- (21) **International Application Number:**
PCT/IB2006/054364
- (22) **International Filing Date:**
21 November 2006 (21.11.2006)
- (25) **Filing Language:** English
- (26) **Publication Language:** English
- (30) **Priority Data:**
11/286,934 23 November 2005 (23.11.2005) US
- (71) **Applicant (for all designated States except US):** **THE PROCTER & GAMBLE COMPANY** [US/US]; One Procter & Gamble Plaza, Cincinnati, OH 45202 (US).
- (72) **Inventors; and**
- (75) **Inventors/Applicants (for US only):** **LAVON, Gary, Dean** [US/US]; 7071 Darcie Drive, Liberty Township, OH 45011 (US). **HAYDEN, Michael, Patrick** [US/US]; 3426 Crooked Tree Drive, Mason, OH 45040 (US).

- (74) **Common Representative:** **THE PROCTER & GAMBLE COMPANY**; c/o Eileen L. Hughett, Winton Hill Business Center, 6110 Center Hill Road, Cincinnati, OH 45224 (US).
- (81) **Designated States (unless otherwise indicated, for every kind of national protection available):** AE, AG, AL, AM, AT, AU, AZ, BA, BB, BG, BR, BW, BY, BZ, CA, CH, CN, CO, CR, CU, CZ, DE, DK, DM, DZ, EC, EE, EG, ES, FI, GB, GD, GE, GH, GM, GT, HN, HR, HU, ID, IL, IN, IS, JP, KE, KG, KM, KN, KP, KR, KZ, LA, LC, LK, LR, LS, LT, LU, LV, LY, MA, MD, MG, MK, MN, MW, MX, MY, MZ, NA, NG, NI, NO, NZ, OM, PG, PH, PL, PT, RO, RS, RU, SC, SD, SE, SG, SK, SL, SM, SV, SY, TJ, TM, TN, TR, TT, TZ, UA, UG, US, UZ, VC, VN, ZA, ZM, ZW
- (84) **Designated States (unless otherwise indicated, for every kind of regional protection available):** ARIPO (BW, GH, GM, KE, LS, MW, MZ, NA, SD, SL, SZ, TZ, UG, ZM, ZW), Eurasian (AM, AZ, BY, KG, KZ, MD, RU, TJ, TM), European (AT, BE, BG, CH, CY, CZ, DE, DK, EE, ES, FI, FR, GB, GR, HU, IE, IS, IT, LT, LU, LV, MC, NL, PL, PT,

[Continued on next page]

(54) **Title:** DISPOSABLE ABSORBENT ARTICLE HAVING DEPLOYABLE CHASSIS EARS



(57) **Abstract:** A simple disposable absorbent article including a chassis and an absorbent assembly. The chassis includes laterally opposing side flaps formed by laterally inwardly folded portions of the chassis and deployable chassis ears formed by other laterally inwardly folded portions of the chassis. Each chassis ear is held laterally inwardly folded until being deployed by being released and unfolded laterally outward so as to project laterally outward beyond the adjacent side flap. Fastening elements may be disposed on at least two of the chassis ears, the fastening elements being adapted for fastening the front waist region to the back waist region to encircle a waist and legs of a wearer. The chassis may be extensible. The absorbent assembly may be attached in a cruciform pattern to the chassis to allow portions of the chassis underlying the absorbent attachment assembly and lying outside the cruciform pattern to extend laterally.

WO 2007/060612 A3



RO, SE, SI, SK, TR), OAPI (BF, BJ, CF, CG, CI, CM, GA, GN, GQ, GW, ML, MR, NE, SN, TD, TG).

(88) Date of publication of the international search report:
7 September 2007

Published:

— with international search report

For two-letter codes and other abbreviations, refer to the "Guidance Notes on Codes and Abbreviations" appearing at the beginning of each regular issue of the PCT Gazette.

INTERNATIONAL SEARCH REPORT

International application No
PCT/IB2006/054364

A. CLASSIFICATION OF SUBJECT MATTER
INV. A61F13/56 A61F13/532

According to International Patent Classification (IPC) or to both national classification and IPC

B. FIELDS SEARCHED

Minimum documentation searched (classification system followed by classification symbols)
A61F

Documentation searched other than minimum documentation to the extent that such documents are included in the fields searched

Electronic data base consulted during the International search (name of data base and, where practical, search terms used)

EPO-Internal , WPI Data

C DOCUMENTS CONSIDERED TO BE RELEVANT

Category*	Citation of document, with indication, where appropriate, of the relevant passages	Relevant to claim No
X	WO 96/14815 A (PROCTER & GAMBLE [US]) 23 May 1996 (1996-05-23) page 8, line 6 - page 9, line 28 page 11, line 32 - page 13, line 33 page 21, line 15 - page 22, line 23 page 27, line 9 - page 29, line 32; figures 1-8, 12a, 12b -----	1-20
X	US 2002/138063 A1 (KUEN DAVID ARTHUR [US] ET AL) 26 September 2002 (2002-09-26) paragraphs [0016], [0048] - [0052], [0055], [0064], [0065], [0069], [0070], [0077], [0081]; figures 1-8 -----	1-20
X	WO 84/04242 A (JOHNSON & JOHNSON PROD INC [US]) 8 November 1984 (1984-11-08) page 3, line 17 - page 4, line 36; figures 1-6 -----	1-20
-/--		

Further documents are listed in the continuation of Box C

See patent family annex

* Special categories of cited documents

"A¹" document defining the general state of the art which is not considered to be of particular relevance

"E" earlier document but published on or after the International filing date

"L" document which may throw doubts on priority claim(s) or which is cited to establish the publication date of another citation or other special reason (as specified)

"O" document referring to an oral disclosure, use, exhibition or other means

"P" document published prior to the international filing date but later than the priority date claimed

"T" later document published after the international filing date or priority date and not in conflict with the application but cited to understand the principle or theory underlying the invention

"X" document of particular relevance the claimed invention cannot be considered novel or cannot be considered to involve an inventive step when the document is taken alone

"Y" document of particular relevance the claimed invention cannot be considered to involve an inventive step when the document is combined with one or more other such documents, such combination being obvious to a person skilled in the art

"&" document member of the same patent family

Date of the actual completion of the international search

8 May 2007

Date of mailing of the International search report

21/05/2007

Name and mailing address of the ISA/

European Patent Office, P B 5818 Patentlaan 2
 NL - 2280 HV Rijswijk
 Tel (+31-70) 340-2040, Tx 31 651 epo nl,
 Fax (+31-70) 340-3016

Authorized officer

Joly, Florence

INTERNATIONAL SEARCH REPORT

International application No

PCT/IB2006/054364

C(Continuation). DOCUMENTS CONSIDERED TO BE RELEVANT		
Category*	Citation of document, with indication, where appropriate, of the relevant passages	Relevant to claim No.
X	EP 1 166 735 A2 (UNI CHARM CORP [JP]) 2 January 2002 (2002-01-02) paragraphs [0009] - [0012], [0015]; figures 1-4 -----	14-16
E	WO 2007/015224 A (PROCTER & GAMBLE [US]; LAVON GARY DEAN [US]; LODGE RICHARD WORTHINGTON) 8 February 2007 (2007-02-08) the whole document -----	1-20
A	US 2005/171499 A1 (NIGAM PANKAJ [US] ET AL) 4 August 2005 (2005-08-04) figures 2,11,22,26,29 -----	8-12,18, 19
A	EP 0 832 629 A2 (UNI CHARM CORP [JP]) I April 1998 (1998-04-01) column 4, lines 9-29; figure 6 -----	5,20
A	WO 99/11209 A (KIMBERLY CLARK CO [US]) II March 1999 (1999-03-11) page 2, lines 7-10; figures 1,2 -----	5,20

INTERNATIONAL SEARCH REPORT

Information on patent family members

International application No

PCT/IB2006/054364

Patent document cited in search report		Publication date	Patent family member(s)	Publication date			
wo 9614815	A	23-05-1996	AT 193825 T	15-06-2000			
			AU 708896 B2	12-08-1999			
			AU 4135296 A	06-06-1996			
			BR 9509709 A	30-09-1997			
			CA 2203794 A1	23-05-1996			
			CN 1171733 A	28-01-1998			
			DE 69517534 D1	20-07-2000			
			DE 69517534 T2	08-03-2001			
			EP 0790815 A1	27-08-1997			
			ES 2146786 T3	16-08-2000			
			JP 10509361 T	14-09-1998			
			KR 100234465 B1	15-12-1999			
			ZA 9509484 A	15-05-1996			
US 2002138063	A1	26-09-2002	AR 033198 A1	10-12-2003			
			BR PI0208350 A	17-01-2006			
			CN 1509158 A	30-06-2004			
			EP 1399104 A1	24-03-2004			
			JP 2004524112 T	12-08-2004			
			MX PA03008612 A	08-12-2003			
			RU 2283638 C2	20-09-2006			
			wo 02076360 A1	03-10-2002			
			ZA 200307273 A	17-09-2004			
			wo 8404242	A	08-11-1984	AU 2824584 A	19-11-1984
						BR 8406880 A	16-04-1985
EP 0143810 A1	12-06-1985						
FI 845060 A	20-12-1984						
JP 1018571 Y2	31-05-1989						
JP 59165404 U	06-11-1984						
NO 845137 A	20-12-1984						
ZA 8402892 A	27-11-1985						
EP 1166735	A2	02-01-2002				AT 357199 T	15-04-2007
			CA 2348207 A1	19-12-2001			
			JP 2002000631 A	08-01-2002			
			US 2001056271 A1	27-12-2001			
wo 2007015224	A	08-02-2007	US 2007032770 A1	08-02-2007			
US 2005171499	A1	04-08-2005	AR 047589 A1	25-01-2006			
			AU 2005210650 A1	18-08-2005			
			CA 2554295 A1	18-08-2005			
			CN 1764428 A	26-04-2006			
			EP 1711149 A1	18-10-2006			
			KR 20060129362 A	15-12-2006			
			MX PA06008583 A	28-08-2006			
			wo 2005074851 A1	18-08-2005			
EP 0832629	A2	01-04-1998	CN 1179300 A	22-04-1998			
			ID 18374 A	02-04-1998			
			JP 3340032 B2	28-10-2002			
			JP 10099373 A	21-04-1998			
			US 2002156444 A1	24-10-2002			
wo 9911209	A	11-03-1999	AU 745430 B2	21-03-2002			
			AU 8770898 A	22-03-1999			
			BR 9811616 A	12-09-2000			

INTERNATIONAL SEARCH REPORT

Information on patent family members

International application No

PCT/IB2006/054364

Patent document cited in search report	Publication date	Patent family member(s)	Publication date
WO 9911209	A	CA 2301124 A1	11-03-1999
		CN 1268882 A	04-10-2000
		DE 69829575 D1	04-05-2005
		DE 69829575 T2	15-09-2005
		EP 1017346 A1	12-07-2000
		US 6117803 A	12-09-2000
