



US00D650525S

(12) **United States Design Patent**
Cafaro et al.

(10) **Patent No.:** **US D650,525 S**

(45) **Date of Patent:** **** Dec. 13, 2011**

(54) **HAIR STRAIGHTENING IRON**

(56) **References Cited**

(75) Inventors: **Michael Cafaro**, El Paso, TX (US);
Ricardo Placencia, El Paso, TX (US)

U.S. PATENT DOCUMENTS

D489,484 S *	5/2004	Cheung	D28/35
D570,542 S *	6/2008	Leung	D28/35
D596,793 S *	7/2009	Kwok	D28/35
D605,357 S *	12/2009	Kwok	D28/35

(73) Assignee: **Helen of Troy Limited**, St. Michael (BB)

* cited by examiner

(**) Term: **14 Years**

Primary Examiner — Jennifer Rivard

(21) Appl. No.: **29/382,740**

(57) **CLAIM**

The ornamental design for a hair straightening iron, as shown, and described.

(22) Filed: **Jan. 6, 2011**

DESCRIPTION

(51) **LOC (9) Cl.** **28-03**

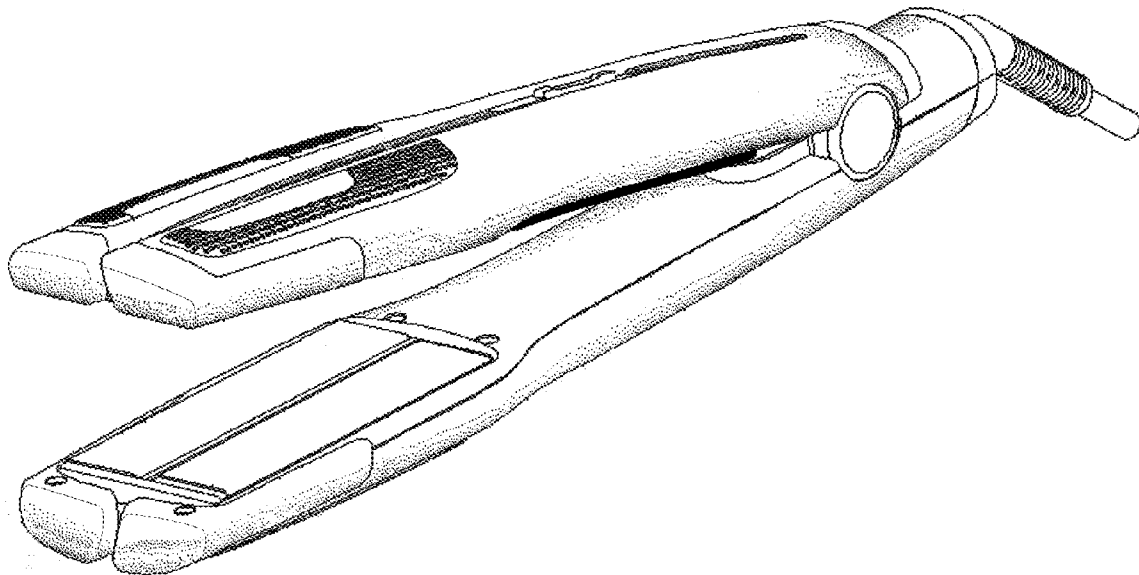
(52) **U.S. Cl.** **D28/35**

(58) **Field of Classification Search** D28/35-38;
132/223-272; 219/222, 225-226

FIG. 1 is a side view of the hair straightening iron;
FIG. 2 is a top view of the hair straightening iron;
FIG. 3 is a bottom view of the hair straightening iron;
FIG. 4 is a front view of the hair straightening iron;
FIG. 5 is a rear view of the hair straightening iron; and,
FIG. 6 is a perspective view of the hair straightening iron.

See application file for complete search history.

1 Claim, 6 Drawing Sheets



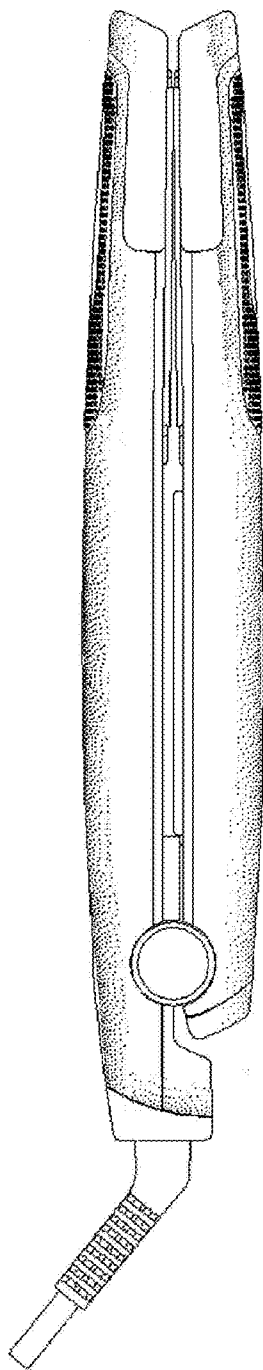


Figure 1

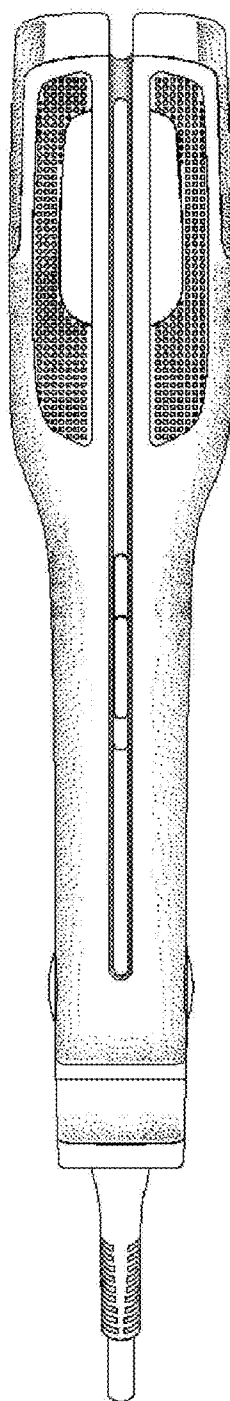


Figure 2

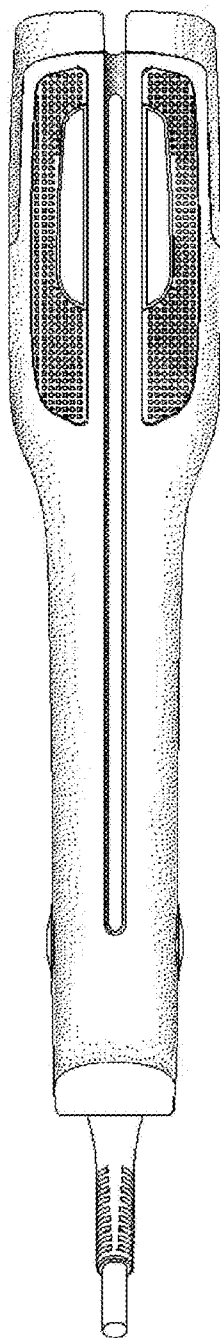


Figure 3

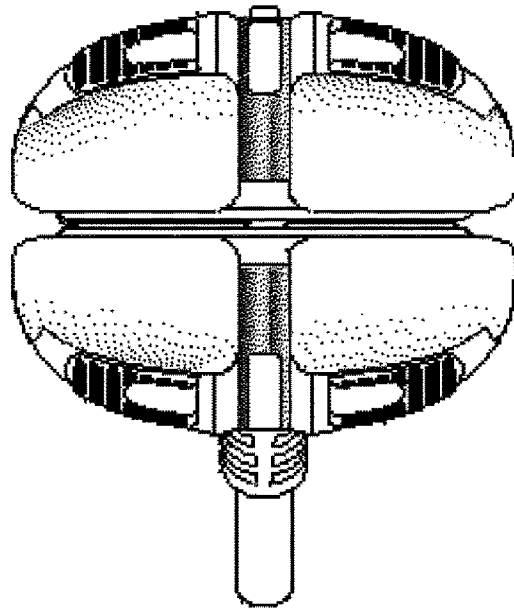


Figure 4

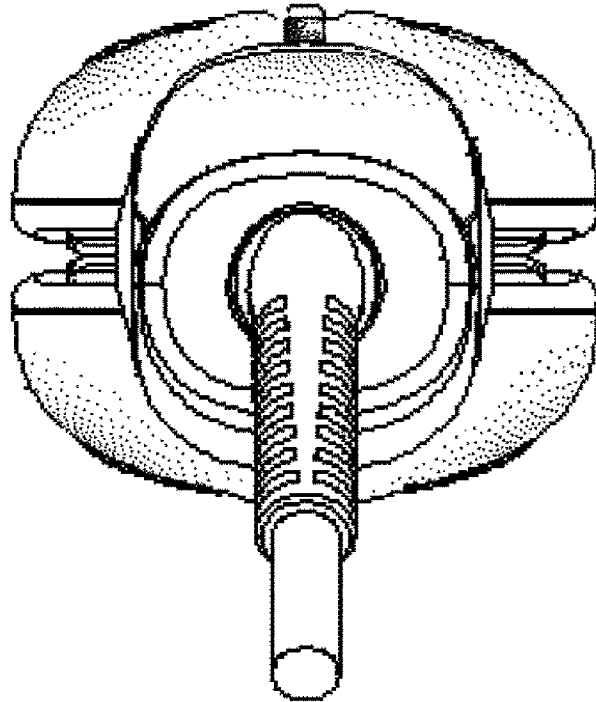


Figure 5

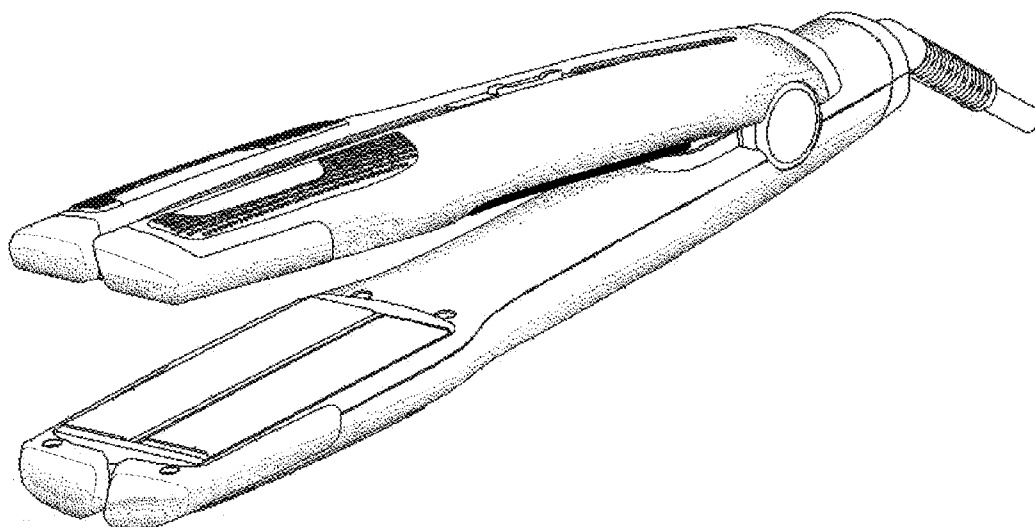


Figure 6