



US00D871469S

(12) **United States Design Patent**  
**Matsushige**

(10) **Patent No.:** **US D871,469 S**

(45) **Date of Patent:** **\*\* Dec. 31, 2019**

- (54) **ELECTRIC ACTUATOR**
- (71) Applicant: **IAI Corporation**, Shizuoka-shi (JP)
- (72) Inventor: **Seiichi Matsushige**, Shizuoka (JP)
- (73) Assignee: **IAI CORPORATION**, Shizuoka-Shi, Shizuoka (JP)
- (\*\*) Term: **15 Years**
- (21) Appl. No.: **29/610,482**
- (22) Filed: **Jul. 12, 2017**

D636,799 S *	4/2011	Fukano	.....	D15/143
D650,401 S *	12/2011	Fukano	.....	D15/143
D657,399 S *	4/2012	Nemoto	.....	D15/143
D682,901 S *	5/2013	Peschel	.....	D15/143
D685,014 S *	6/2013	Mangold	.....	D15/143
D685,403 S *	7/2013	Mangold	.....	D15/143
D686,257 S *	7/2013	Wu	.....	D15/143
D695,799 S *	12/2013	Landerholm	.....	D15/143
D699,759 S *	2/2014	Peschel	.....	D15/7
D699,760 S *	2/2014	Peschel	.....	D15/7

(Continued)

*Primary Examiner* — Michael C Stout  
*Assistant Examiner* — Fitzgerald L Butac  
 (74) *Attorney, Agent, or Firm* — McGinn I.P. Law Group, PLLC.

- (30) **Foreign Application Priority Data**
- Feb. 15, 2017 (JP) ..... 2017-002863
- (51) **LOC (12) Cl.** ..... **15-09**
- (52) **U.S. Cl.**
- USPC ..... **D15/143**
- (58) **Field of Classification Search**
- USPC ..... D13/118, 158, 174, 184; D15/1-9, 122, D15/143, 147, 148, 149, 199
- CPC ..... F16H 2025/2087; F16H 2025/209; F16H 2025/2463; F16H 2025/2071; F16H 2025/2084; Y10T 74/1896; Y10T 74/18704; H01F 7/066
- See application file for complete search history.

(57) **CLAIM**

The ornamental design of an electric actuator, as shown and described.

**DESCRIPTION**

The file of this patent contains at least one photograph executed in color. Copies of this patent with color photographs will be provided by the Office upon request and payment of the necessary fee.

FIG. 1 is a front view of an electric actuator as showing my new design, with the rear view being substantially a mirror image thereof, the sole difference being with regards to the visible portions of the elements on tire right side of the design;

FIG. 2 is a right side elevational view thereof;

FIG. 3 is a left side elevational view thereof;

FIG. 4 is a top plan view thereof;

FIG. 5 is a bottom view thereof;

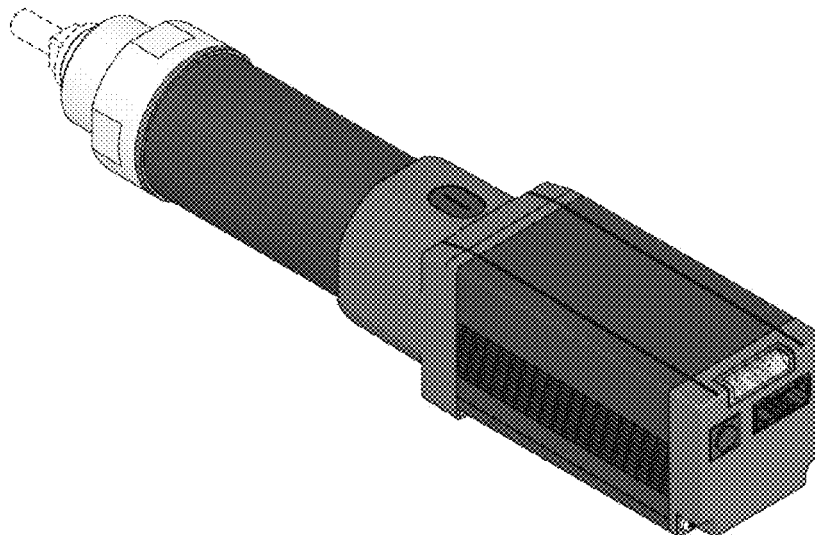
FIG. 6 is a perspective view thereof; and,

FIG. 7 is another perspective view thereof.

The broken lines show portions of an electric actuator that form no part of the claimed design.

- (56) **References Cited**
- U.S. PATENT DOCUMENTS
- 5,720,202 A \* 2/1998 Senjo ..... B23Q 5/404 384/53
- 5,755,515 A \* 5/1998 Senjo ..... B23Q 1/01 384/45
- 5,831,360 A \* 11/1998 Senjo ..... H02K 1/185 310/80
- D487,902 S \* 3/2004 Nielsen ..... D15/143
- D502,477 S \* 3/2005 Beadle ..... D15/143
- D624,101 S \* 9/2010 Tseng ..... D15/143
- D636,798 S \* 4/2011 Fukano ..... D15/143

**1 Claim, 7 Drawing Sheets**  
**(7 of 7 Drawing Sheet(s) Filed in Color)**



(56)

**References Cited**

## U.S. PATENT DOCUMENTS

D699,761 S \* 2/2014 Peschel ..... D15/7  
D709,933 S \* 7/2014 Wu ..... D15/143  
D719,595 S \* 12/2014 Landerholm ..... D15/143  
D760,805 S \* 7/2016 Monden ..... D15/7  
D767,005 S \* 9/2016 Wu ..... D15/143  
9,482,327 B2 \* 11/2016 Kondo ..... F16H 25/20  
D776,055 S \* 1/2017 Wallace ..... D13/112  
9,541,178 B2 \* 1/2017 Otsuka ..... F16J 15/168  
D784,306 S \* 4/2017 Fujii ..... D14/240  
D784,431 S \* 4/2017 Liou ..... D15/143  
D819,100 S \* 5/2018 Lin ..... D15/148  
D819,101 S \* 5/2018 Ishikawa ..... D15/148  
D821,472 S \* 6/2018 Ishikawa ..... D15/149  
D833,972 S \* 11/2018 Pflueger ..... D13/112  
D839,329 S \* 1/2019 Luck ..... D15/148  
D839,937 S \* 2/2019 Zhuang ..... D15/143  
D844,038 S \* 3/2019 Alfano ..... D15/148  
D846,011 S \* 4/2019 Ishikawa ..... D15/149  
D846,012 S \* 4/2019 Ishikawa ..... D15/149  
D847,236 S \* 4/2019 Chen ..... D15/148  
D851,040 S \* 6/2019 Martinez ..... D13/113

\* cited by examiner

FIG. 1

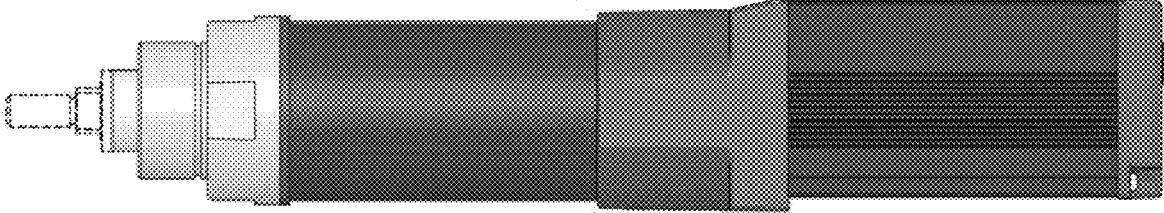


FIG.2

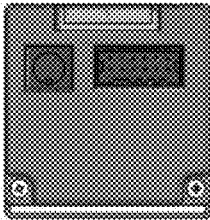


FIG.3

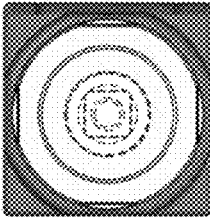


FIG.4

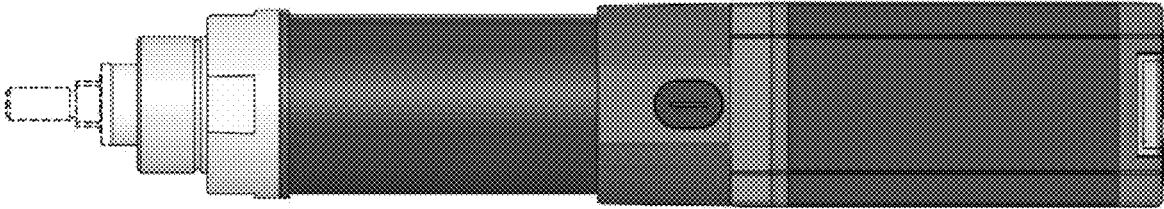


FIG.5

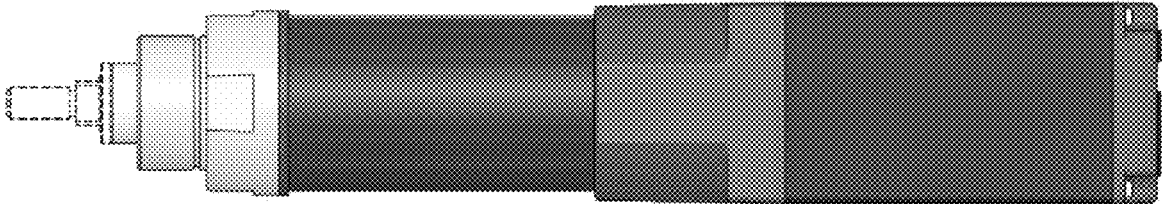


FIG.6

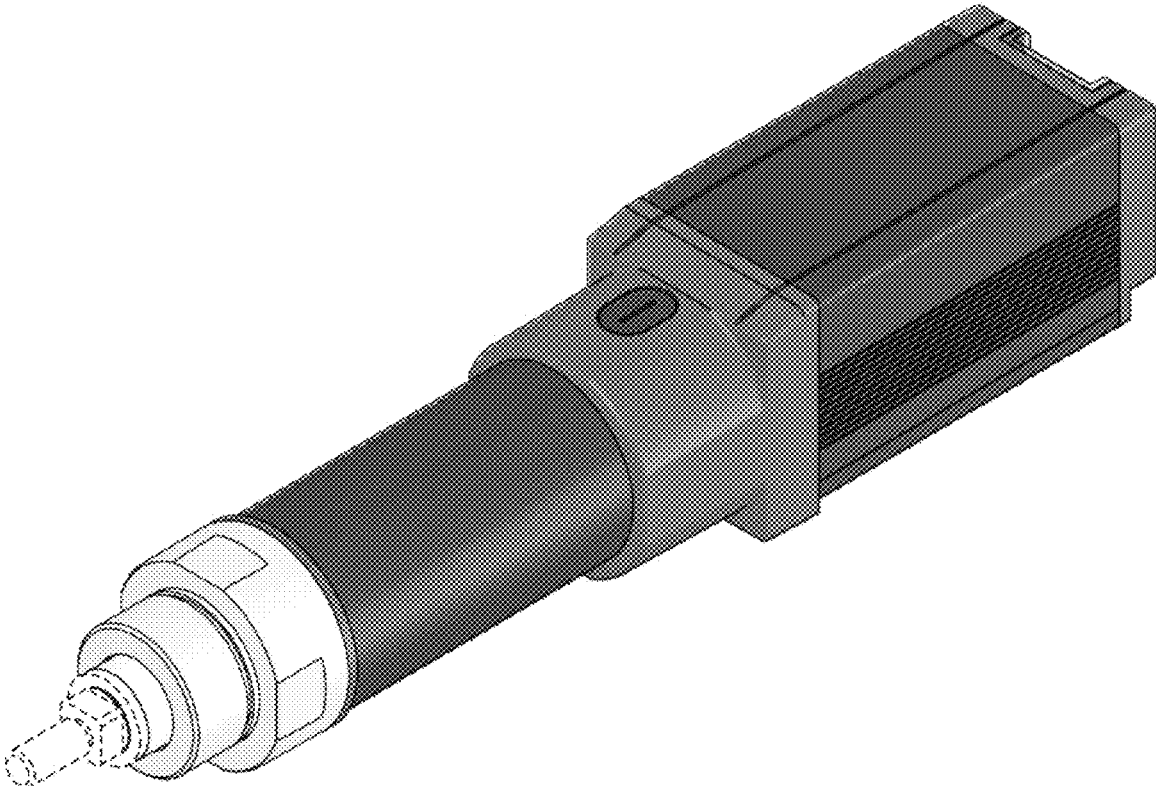




FIG.7

