



- (51) International Patent Classification:

B63B 25/00 (2006.01)	A01K 7/00 (2006.01)
A01K 1/02 (2006.01)	A01K 9/00 (2006.01)
A01K 5/00 (2006.01)	B60P 3/04 (2006.01)
- (21) International Application Number: PCT/US2011/046237
- (22) International Filing Date: 2 August 2011 (02.08.2011)
- (25) Filing Language: English
- (26) Publication Language: English
- (30) Priority Data:

61/371,123	5 August 2010 (05.08.2010)	US
61/378,473	31 August 2010 (31.08.2010)	US
61/434,366	19 January 2011 (19.01.2011)	US
PCT/US2011/024602		
	11 February 2011 (11.02.2011)	US
13/051,745	18 March 2011 (18.03.2011)	US
13/051,845	18 March 2011 (18.03.2011)	US
13/051,943	18 March 2011 (18.03.2011)	US
13/051,907	18 March 2011 (18.03.2011)	US
13/052,159	21 March 2011 (21.03.2011)	US
13/087,583	15 April 2011 (15.04.2011)	US
- (72) Inventors; and
- (75) Inventors/Applicants (for US only): MORENO, Juan [US/US]; 22575 State Hwy 6 South, Navasota, Texas 77868 (US). ROSENSTEIN, Maurice [US/US]; 22575 State Hwy 6 South, Navasota, Texas 77868 (US).
- (74) Agents: CHRISTENSEN, Ryan et al.; 22575 State Hwy 6 South, Navasota, Texas 77868 (US).
- (81) Designated States (unless otherwise indicated, for every kind of national protection available): AE, AG, AL, AM, AO, AT, AU, AZ, BA, BB, BG, BH, BR, BW, BY, BZ, CA, CH, CL, CN, CO, CR, CU, CZ, DE, DK, DM, DO, DZ, EC, EE, EG, ES, FI, GB, GD, GE, GH, GM, GT, HN, HR, HU, ID, IL, IN, IS, JP, KE, KG, KM, KN, KP, KR, KZ, LA, LC, LK, LR, LS, LT, LU, LY, MA, MD, ME, MG, MK, MN, MW, MX, MY, MZ, NA, NG, NI, NO, NZ, OM, PE, PG, PH, PL, PT, RO, RS, RU, SC, SD, SE, SG, SK, SL, SM, ST, SV, SY, TH, TJ, TM, TN, TR, TT, TZ, UA, UG, US, UZ, VC, VN, ZA, ZM, ZW.
- (84) Designated States (unless otherwise indicated, for every kind of regional protection available): ARIPO (BW, GH, GM, KE, LR, LS, MW, MZ, NA, SD, SL, SZ, TZ, UG, ZM, ZW), Eurasian (AM, AZ, BY, KG, KZ, MD, RU, TJ, TM), European (AL, AT, BE, BG, CH, CY, CZ, DE, DK, EE, ES, FI, FR, GB, GR, HR, HU, IE, IS, IT, LT, LU, LV, MC, MK, MT, NL, NO, PL, PT, RO, RS, SE, SI, SK, SM, TR), OAPI (BF, BJ, CF, CG, CI, CM, GA, GN, GQ, GW, ML, MR, NE, SN, TD, TG).
- (71) Applicant (for all designated States except US): INGUR-AN, LLC [US/US]; 22575 State Hwy 6 South, Navasota, Texas 77868 (US).

[Continued on next page]

(54) Title: SHIPPING CONTAINERS AND METHODS FOR SHIPPING LIVESTOCK ON A SHIPPING VESSEL

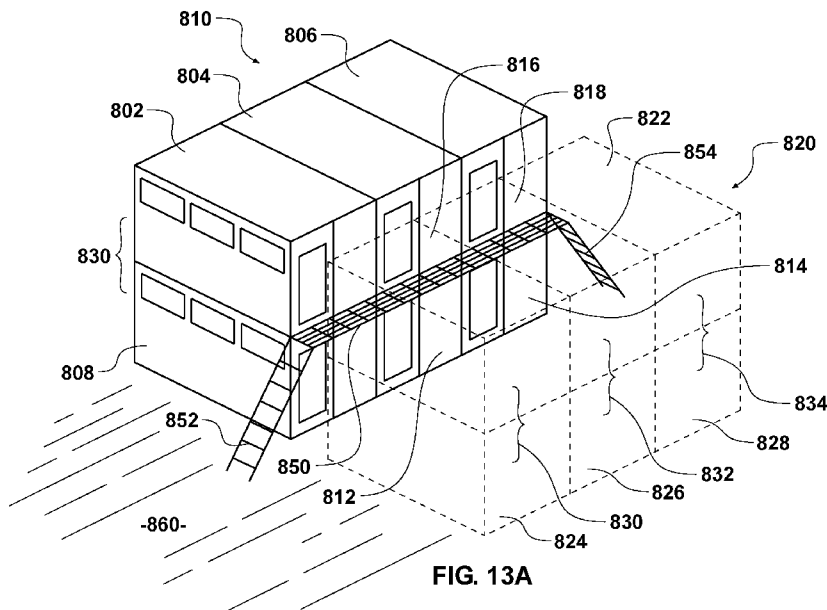


FIG. 13A

(57) Abstract: An array of shipping containers and systems for transporting livestock on shipping vessels over extended periods including systems for distributing drinking water and electricity from common resources to an array of shipping containers, where the array of shipping containers can include interconnected shipping containers and/or stacked shipping containers carrying livestock.

WO 2012/018793 A3



Declarations under Rule 4.17:

- *as to applicant's entitlement to apply for and be granted a patent (Rule 4.17(ii))*
- *as to the applicant's entitlement to claim the priority of the earlier application (Rule 4.17(iii))*
- *of inventorship (Rule 4.17(iv))*

Published:

- *with international search report (Art. 21(3))*
- *before the expiration of the time limit for amending the claims and to be republished in the event of receipt of amendments (Rule 48.2(h))*

(88) Date of publication of the international search report:
12 July 2012

INTERNATIONAL SEARCH REPORT

International application No.
PCT/US2011/046237**A. CLASSIFICATION OF SUBJECT MATTER*****B63B 25/00(2006.01)i, A01K 1/02(2006.01)i, A01K 5/00(2006.01)i, A01K 7/00(2006.01)i, A01K 9/00(2006.01)i, B60P 3/04(2006.01)i***

According to International Patent Classification (IPC) or to both national classification and IPC

B. FIELDS SEARCHED

Minimum documentation searched (classification system followed by classification symbols)

B63B 25/00; A01K 1/00; F16L 11/04

Documentation searched other than minimum documentation to the extent that such documents are included in the fields searched

Korean utility models and applications for utility models

Japanese utility models and applications for utility models

Electronic data base consulted during the international search (name of data base and, where practicable, search terms used)

eKOMPASS(KIPO internal) & Keywords: ship, container, livestock

C. DOCUMENTS CONSIDERED TO BE RELEVANT

Category*	Citation of document, with indication, where appropriate, of the relevant passages	Relevant to claim No.
X Y A	US 4,123,991 A (STEPHEN S. KINRADE) 07 November 1978 See column 3, line 55 - column 6, line 64 and figures 1-10.	1-8,28,29 9-27,30-39,55-58 40-54,59-84
Y	US 6,016,846 A (GERALD H.KNITTEL et al.) 25 January 2000 See column 4, line 43 - column 5, line 3.	9,10
Y	JP 58-167286 A (HITACHI ZOSEN CORPORATION) 03 October 1983 See figure 7.	11-21
Y	US 3,602,730 A (CHARLES R. CUSHING) 31 August 1971 See column 3, line 57 - column 4, line 35 and figures 1-3.	22-27,30-39
X Y A	JP 59-216784 A (MITSUBISHI HEAVY INDUSTRY LTD.) 06 December 1984 See figures 3-11.	40-49,52-54,59-84 55-58 50,51

 Further documents are listed in the continuation of Box C. See patent family annex.

* Special categories of cited documents:

"A" document defining the general state of the art which is not considered to be of particular relevance

"E" earlier application or patent but published on or after the international filing date

"L" document which may throw doubts on priority claim(s) or which is cited to establish the publication date of citation or other special reason (as specified)

"O" document referring to an oral disclosure, use, exhibition or other means

"P" document published prior to the international filing date but later than the priority date claimed

"T" later document published after the international filing date or priority date and not in conflict with the application but cited to understand the principle or theory underlying the invention

"X" document of particular relevance; the claimed invention cannot be considered novel or cannot be considered to involve an inventive step when the document is taken alone

"Y" document of particular relevance; the claimed invention cannot be considered to involve an inventive step when the document is combined with one or more other such documents, such combination being obvious to a person skilled in the art

"&" document member of the same patent family

Date of the actual completion of the international search

14 MAY 2012 (14.05.2012)

Date of mailing of the international search report

14 MAY 2012 (14.05.2012)

Name and mailing address of the ISA/KR

Korean Intellectual Property Office
Government Complex-Daejeon, 189 Cheongsa-ro,
Seo-gu, Daejeon 302-701, Republic of Korea

Facsimile No. 82-42-472-7140

Authorized officer

Kim, Kyung Hoon

Telephone No. 82-42-481-8280



Box No. II Observations where certain claims were found unsearchable (Continuation of item 2 of first sheet)

This international search report has not been established in respect of certain claims under Article 17(2)(a) for the following reasons:

1. Claims Nos.:
because they relate to subject matter not required to be searched by this Authority, namely:

2. Claims Nos.:
because they relate to parts of the international application that do not comply with the prescribed requirements to such an extent that no meaningful international search can be carried out, specifically:

3. Claims Nos.:
because they are dependent claims and are not drafted in accordance with the second and third sentences of Rule 6.4(a).

Box No. III Observations where unity of invention is lacking (Continuation of item 3 of first sheet)

This International Searching Authority found multiple inventions in this international application, as follows:

Group I, claims 1-29 are directed to a system for shipping livestock on a shipping vessel, and claims 30-39 are directed to an array of shipping containers on a shipping vessel.

Group II, claims 40-58 are directed to a system for stacking shipping containers which are transporting livestock on a shipping vessel, claim 59 is directed to a method of stacking shipping containers for shipping livestock on a shipping vessel, and claims 60-84 are directed to a system of shipping livestock.

1. As all required additional search fees were timely paid by the applicant, this international search report covers all searchable claims.

2. As all searchable claims could be searched without effort justifying an additional fee, this Authority did not invite payment of any additional fee.

3. As only some of the required additional search fees were timely paid by the applicant, this international search report covers only those claims for which fees were paid, specifically claims Nos.:

4. No required additional search fees were timely paid by the applicant. Consequently, this international search report is restricted to the invention first mentioned in the claims; it is covered by claims Nos.:

Remark on Protest

- The additional search fees were accompanied by the applicant's protest and, where applicable, the payment of a protest fee.
- The additional search fees were accompanied by the applicant's protest but the applicable protest fee was not paid within the time limit specified in the invitation.
- No protest accompanied the payment of additional search fees.

INTERNATIONAL SEARCH REPORT

Information on patent family members

International application No.

PCT/US2011/046237

Patent document cited in search report	Publication date	Patent family member(s)	Publication date
US 4,123,991 A	07.11.1978	JP 52-069775 A	10.06.1977
US 6,016,846 A	25.01.2000	WO 97-29312 A2	14.08.1997
JP 58-167286 A	03.10.1983	None	
US 3,602,730 A	31.08.1971	None	
JP 59-216784 A	06.12.1984	None	