



US00D522795S

(12) **United States Design Patent**
Bowron

(10) **Patent No.:** **US D522,795 S**

(45) **Date of Patent:** **** Jun. 13, 2006**

(54) **TEAPOT**

D447,788 S * 9/2001 Rosenberg D23/212
D486,553 S * 2/2004 Tremblay D23/212

(76) Inventor: **Marla Bowron**, 11830 Hesby St.,
Valley Village, CA (US) 91607

* cited by examiner

(**) Term: **14 Years**

Primary Examiner—M. N. Pandozzi
(74) *Attorney, Agent, or Firm*—Jeffer, Mangels, Butler &
Marmaro LLP

(21) Appl. No.: **29/236,827**

(22) Filed: **Aug. 22, 2005**

(57) **CLAIM**

(51) **LOC (8) Cl.** **07-01**

The ornamental design for a teapot, as shown and described.

(52) **U.S. Cl.** **D7/315; D7/312**

DESCRIPTION

(58) **Field of Classification Search** D7/312,
D7/315, 321, 600, 598, 300; D23/212; 222/189.07,
222/129, 557, 144.5, 465.1; 220/232; 126/390.1
See application file for complete search history.

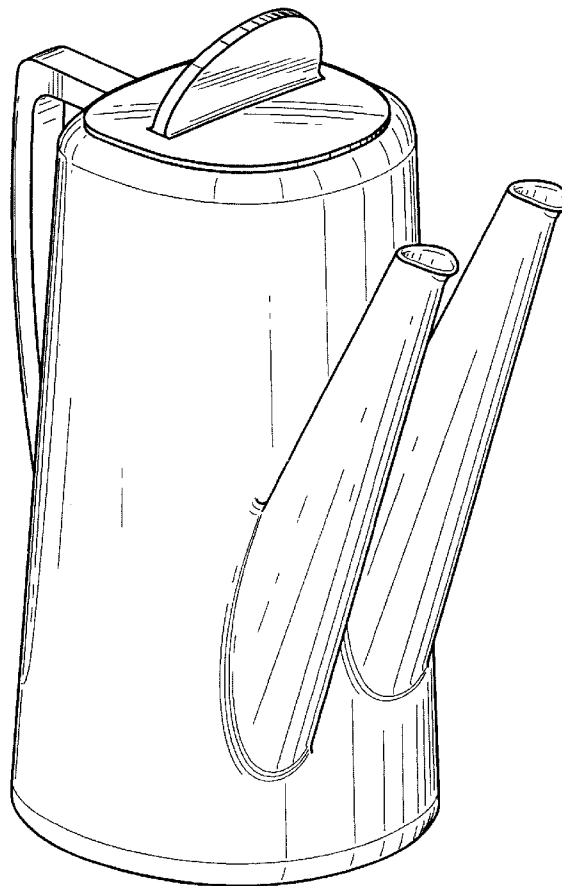
FIG. 1 is a perspective view the present invention;
FIG. 2 is a right side elevational view of present invention
shown in FIG. 1, the left side being a mirror image thereof;
FIG. 3 is a top plan view of the present invention shown in
FIG. 1;
FIG. 4 is a front elevational view of the present invention
shown in FIG. 1;
FIG. 5 is a rear elevational view of the present invention
shown in FIG. 1; and,
FIG. 6 is a bottom plan view of the present invention shown
in FIG. 1.
The shading in FIGS. 1–6 are for illustrative purposes only
and form no part of the claimed design.

(56) **References Cited**

U.S. PATENT DOCUMENTS

592,490 A	10/1897	Fangel
795,408 A	7/1905	Nebinger
1,312,203 A	8/1919	Picard
1,612,615 A	12/1926	Collins
1,779,736 A	10/1930	Harrison
2,135,410 A	* 11/1938	Ottoson 222/129
2,776,687 A	1/1957	Clark
5,289,953 A	* 3/1994	McMillan et al. 222/189.07

1 Claim, 3 Drawing Sheets



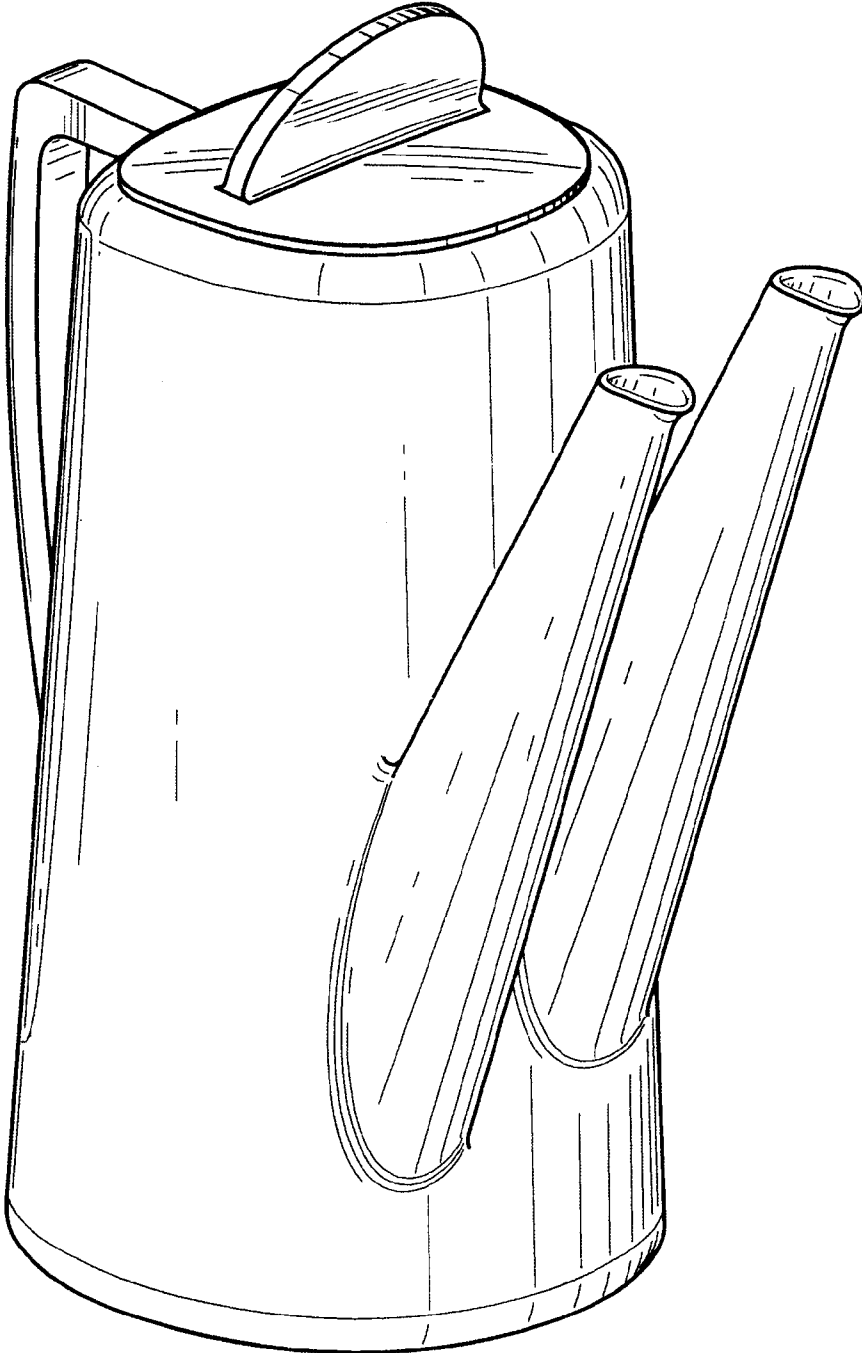


Fig. 1

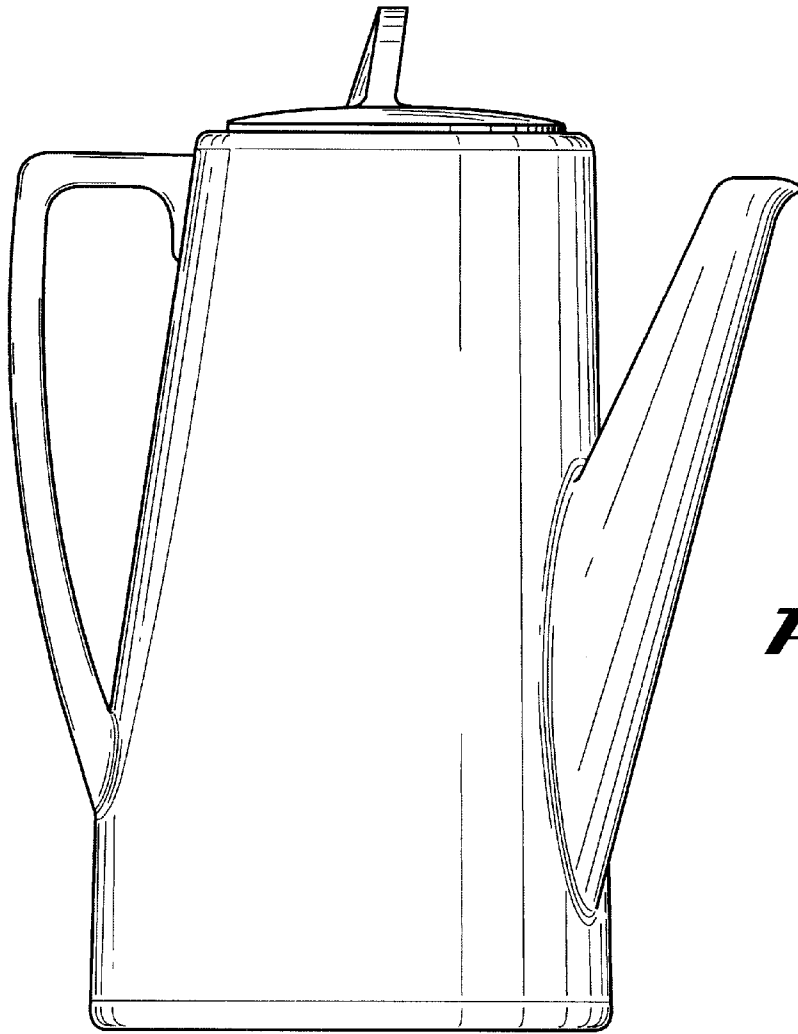


Fig. 2

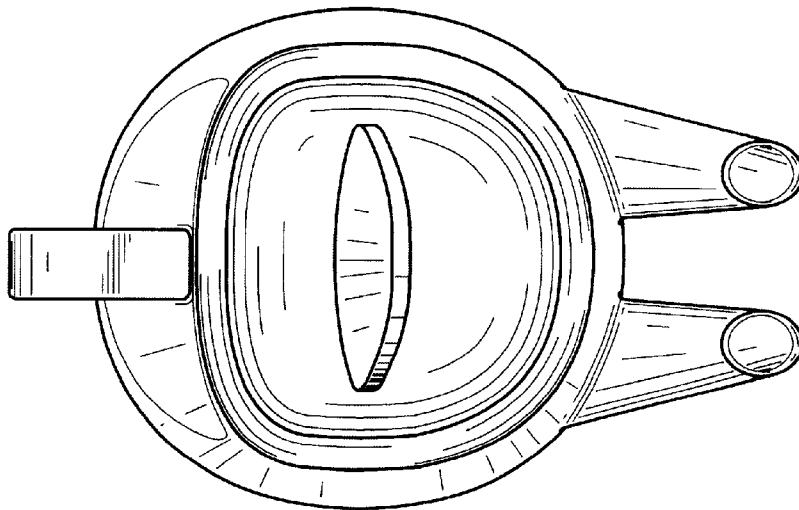


Fig. 3

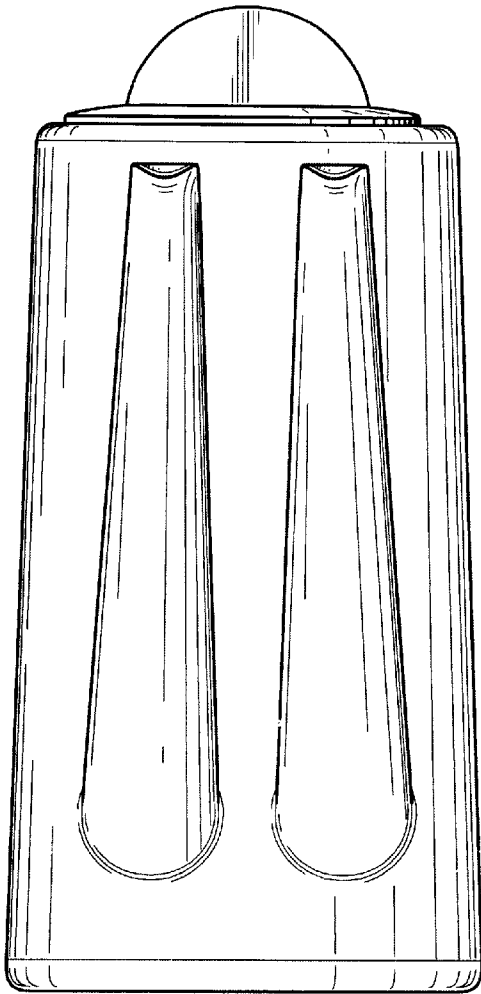


Fig. 4

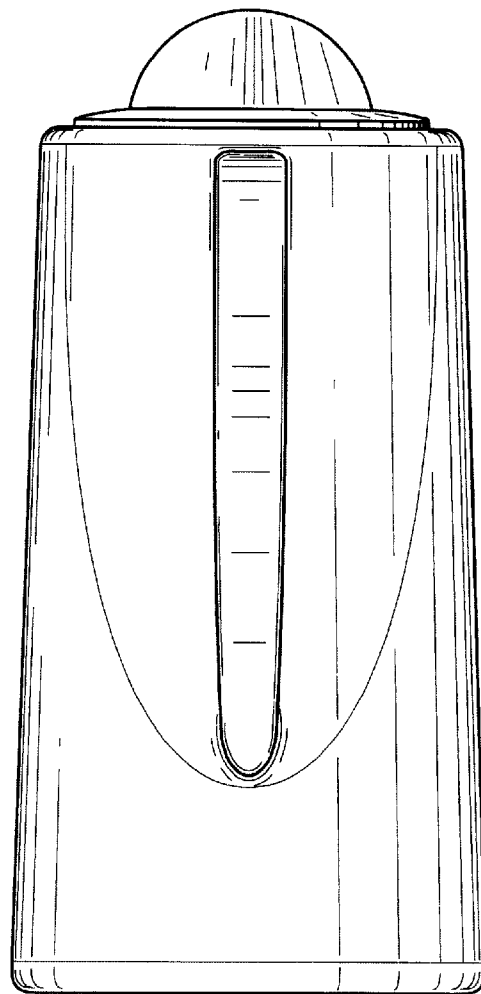


Fig. 5

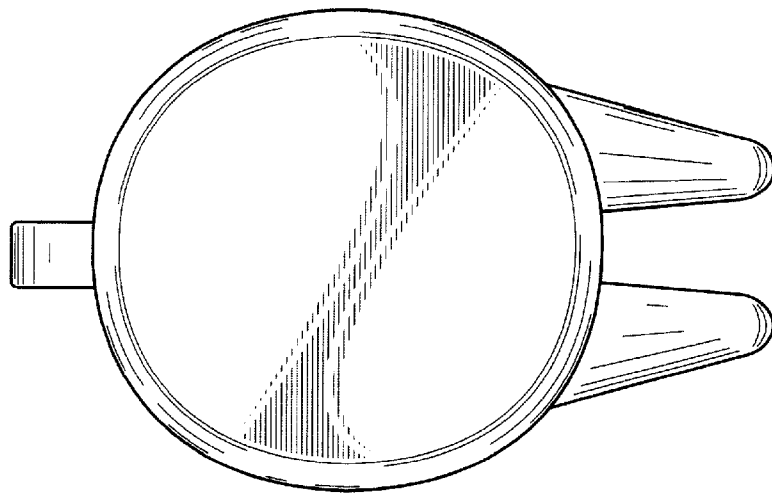


Fig. 6