



US00D900223S

(12) **United States Design Patent**
Meyer et al.

(10) **Patent No.:** **US D900,223 S**

(45) **Date of Patent:** **** Oct. 27, 2020**

(54) **TRAILER HITCH MOUNTED DUAL BIMINI RING TOSS GAME**

D358,506 S * 5/1995 Lara D12/406
5,439,152 A * 8/1995 Campbell B60R 9/00
108/55.1
D363,915 S * 11/1995 Weems D12/345
D368,747 S * 4/1996 Gifford D21/690
D401,985 S * 12/1998 Wheeler D21/686

(71) Applicants: **Grant Meyer**, Wellington, FL (US);
Lawrence Meyer, Wellington, FL (US);
Chad Meyer, Wellington, FL (US)

(Continued)

(72) Inventors: **Grant Meyer**, Wellington, FL (US);
Lawrence Meyer, Wellington, FL (US);
Chad Meyer, Wellington, FL (US)

Primary Examiner — Kevin K Rudzinski

Assistant Examiner — Mehri Bajoul

(74) *Attorney, Agent, or Firm* — Mark D. Bowen, Esq.;
Malin Haley DiMaggio & Bowen, P.A.

(**) Term: **15 Years**

(21) Appl. No.: **29/682,768**

(57) **CLAIM**

The ornamental design for a trailer hitch mounted dual Bimini ring toss game, as shown and described.

(22) Filed: **Mar. 7, 2019**

(51) **LOC (12) Cl.** **21-01**

(52) **U.S. Cl.**
USPC **D21/302**

DESCRIPTION

(58) **Field of Classification Search**

USPC D21/302, 304, 308, 313, 404, 671, 679,
D21/686, 720, 781; D15/16, 17, 24;
D12/42, 48, 106, 172, 177, 223, 317, 337,
D12/345, 406, 408, 420; D25/41.1, 42,
D25/43, 100; D29/130; D34/26, 27, 33,
D34/35, 36
CPC A63F 9/0208; A63F 9/02; A63B 67/10;
A63B 67/00; B60R 9/06
See application file for complete search history.

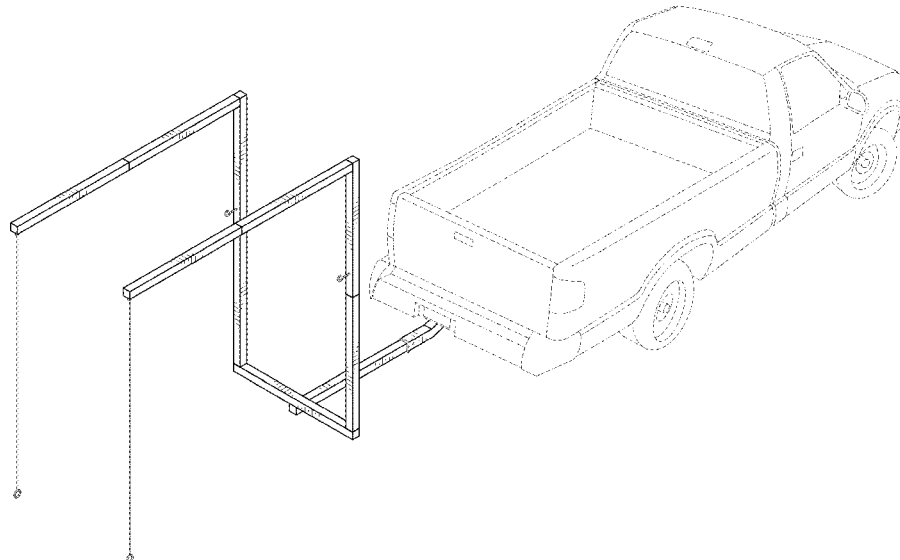
FIG. 1 is a top front perspective view of a trailer hitch mounted dual Bimini ring toss game in accordance with the present invention with the environment in which the design is used being illustrated;
FIG. 2 is a bottom rear perspective view thereof;
FIG. 3 is a top view thereof;
FIG. 4 is a bottom view thereof;
FIG. 5 is a side view thereof, the opposite side being a mirror image;
FIG. 6 is a side view thereof with the environment in which the design is used being illustrated;
FIG. 7 is a front view thereof;
FIG. 8 is a rear view thereof;
FIG. 9 is a front top exploded perspective view thereof;
FIG. 10 is rear bottom exploded perspective view thereof; and,
FIG. 11 is a side exploded view thereof.
The broken lines in FIGS. 1 and 6 illustrate the environment in which the design is used and form no part of the claimed design.

(56) **References Cited**

U.S. PATENT DOCUMENTS

1,052,907 A * 2/1913 Deo'd A63F 9/02
273/332
D263,691 S * 4/1982 Streiff D34/24
D285,811 S * 9/1986 Donahoe D21/304
D294,564 S * 3/1988 Stoecker D12/408
D308,846 S * 6/1990 Eckhart D12/408
D325,553 S * 4/1992 Weiner D12/408
5,171,019 A * 12/1992 Arnette A63B 67/10
273/332

1 Claim, 9 Drawing Sheets



US D900,223 S

(56)

References Cited

U.S. PATENT DOCUMENTS

D424,774 S *	5/2000	Zarley	D34/24	D750,865 S *	3/2016	Iceton	D34/33
D429,051 S *	8/2000	Porter	D34/33	D755,908 S *	5/2016	James	D21/686
D433,723 S *	11/2000	Hynes	D21/719	D758,254 S *	6/2016	Woller, Jr.	D12/106
D478,938 S *	8/2003	Vande Hey	D21/302	D769,991 S *	10/2016	Thomas	D21/686
D576,685 S *	9/2008	Queally	D21/302	D818,664 S *	5/2018	Martinez	D34/33
D591,358 S *	4/2009	Moore	D21/302	D832,183 S *	10/2018	Di Mauro	D12/317
D615,138 S *	5/2010	Briscoe	D21/662	D841,361 S *	2/2019	Amrine	D6/592
D623,707 S *	9/2010	Ritchie	D21/679	D850,152 S *	6/2019	Amrine	D6/592
D626,181 S *	10/2010	Lima	D21/302	D855,720 S *	8/2019	Kuka	D21/686
D633,961 S *	3/2011	Loew	D21/679	10,420,292 B1 *	9/2019	Ehlers	B60R 9/06
D641,944 S *	7/2011	Zhou	D34/33	D863,445 S *	10/2019	Wolf	D21/304
D642,110 S *	7/2011	Lash	D12/317	D872,181 S *	1/2020	Engler	D21/302
D667,063 S *	9/2012	Thompson	D21/686	D872,682 S *	1/2020	Grams	D12/406
D682,955 S *	5/2013	Stephan	D21/679	D874,383 S *	2/2020	Hammer	D12/406
D685,716 S *	7/2013	Castro	D12/408	D883,405 S *	5/2020	Dunahay	D21/686
D687,762 S *	8/2013	Weaver	D12/408	2007/0072750 A1 *	3/2007	Andrews	A63B 21/0783 482/104
D703,116 S *	4/2014	DePalma	D12/167	2012/0280464 A1 *	11/2012	Nelson	A61G 7/1067 280/86.75
D706,059 S *	6/2014	Dirnfeld	B32B 5/18 D6/592	2015/0115530 A1 *	4/2015	Vanston	A63F 9/0208 273/332
D713,776 S *	9/2014	Steady	B60R 9/06 D12/406	2017/0057419 A1 *	3/2017	Olsen	B60R 9/06
D714,512 S *	9/2014	Cook	D34/33	2017/0334361 A1 *	11/2017	Jones	B60R 9/06
D747,774 S *	1/2016	Erickson	D21/302	2019/0106062 A1 *	4/2019	Olsen	B60R 9/10
				2019/0351720 A1 *	11/2019	Murray	B60D 1/40

* cited by examiner

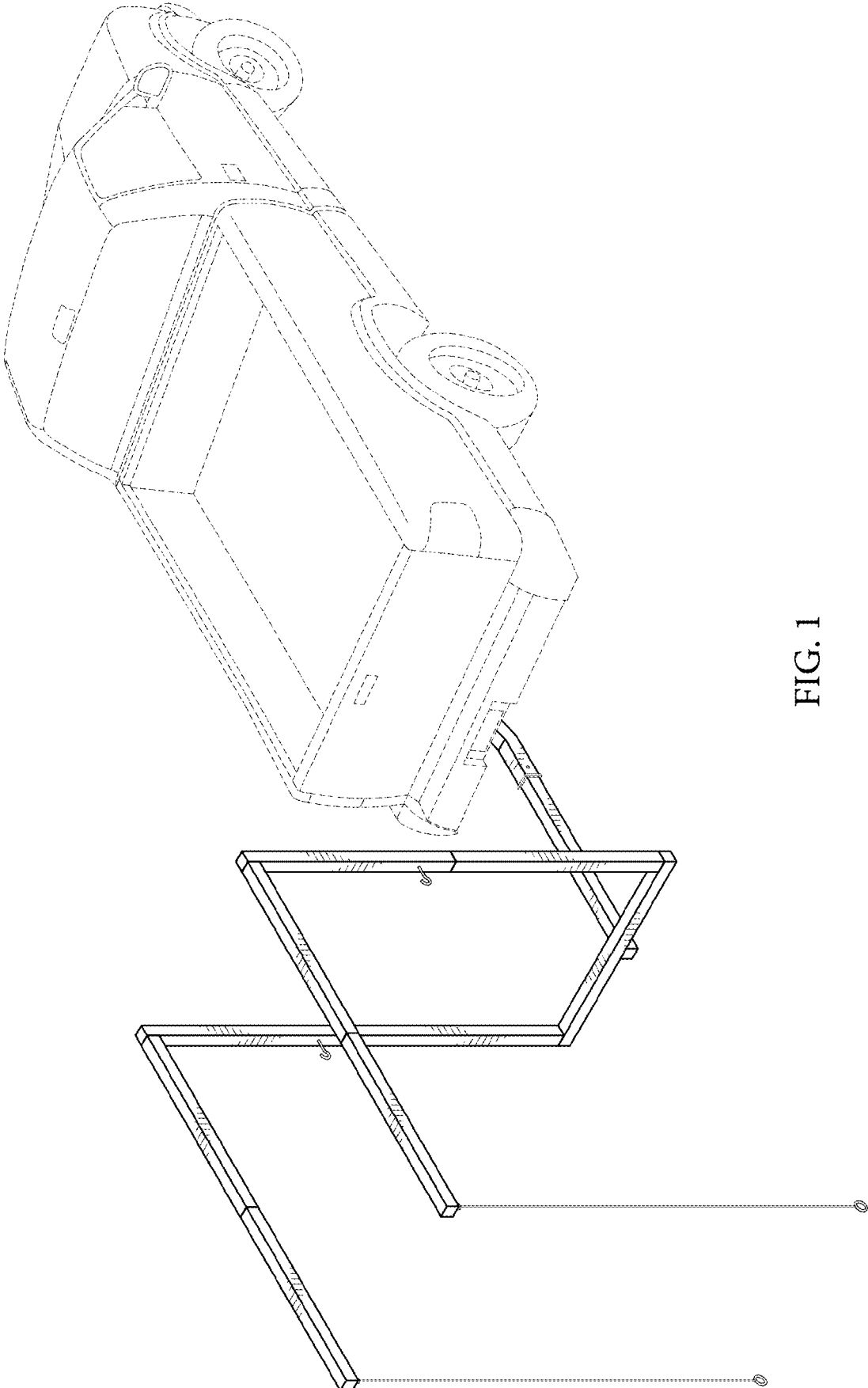


FIG. 1

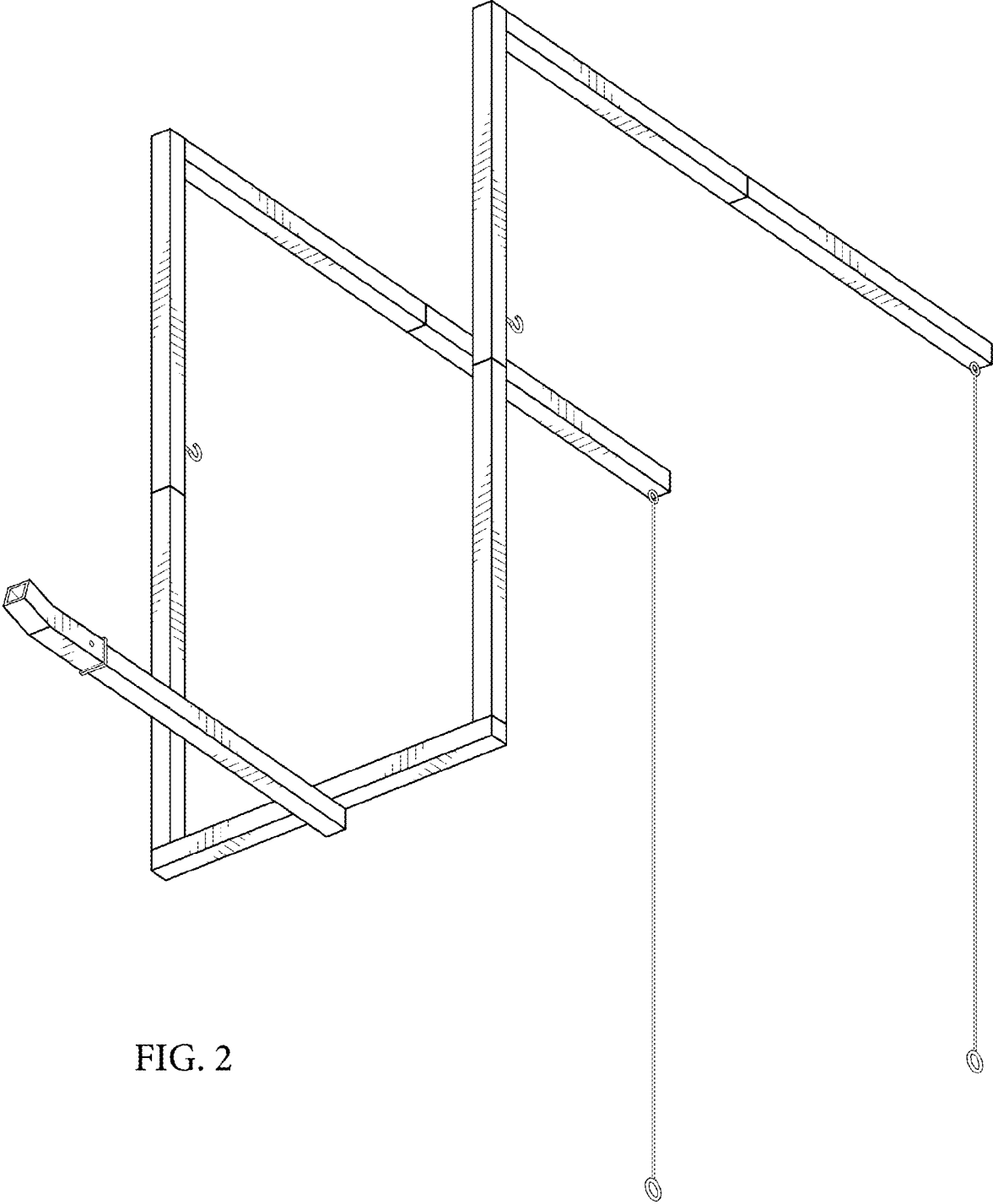


FIG. 2

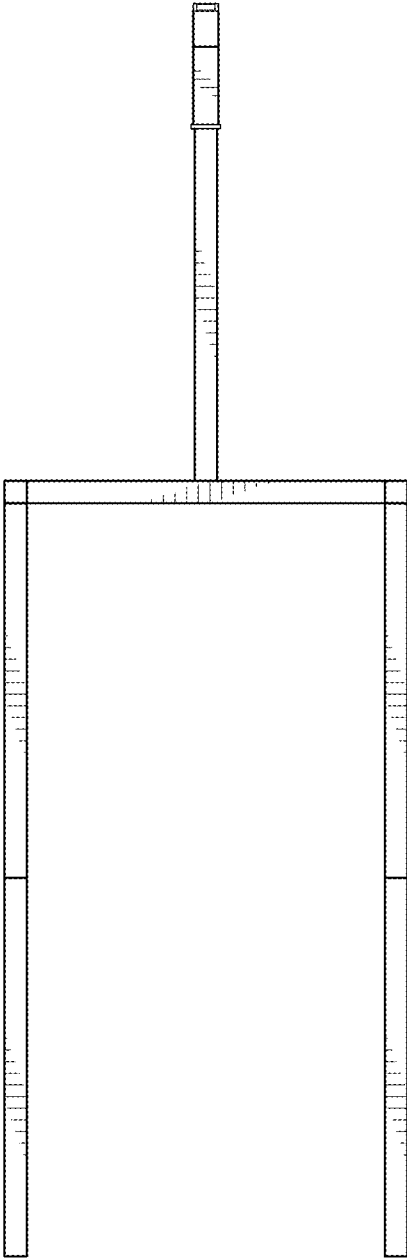


FIG. 3

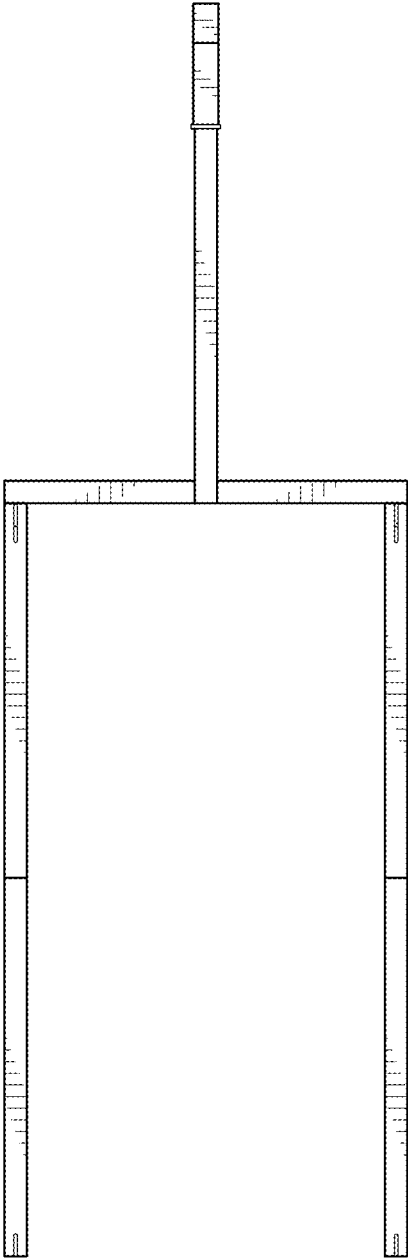


FIG. 4

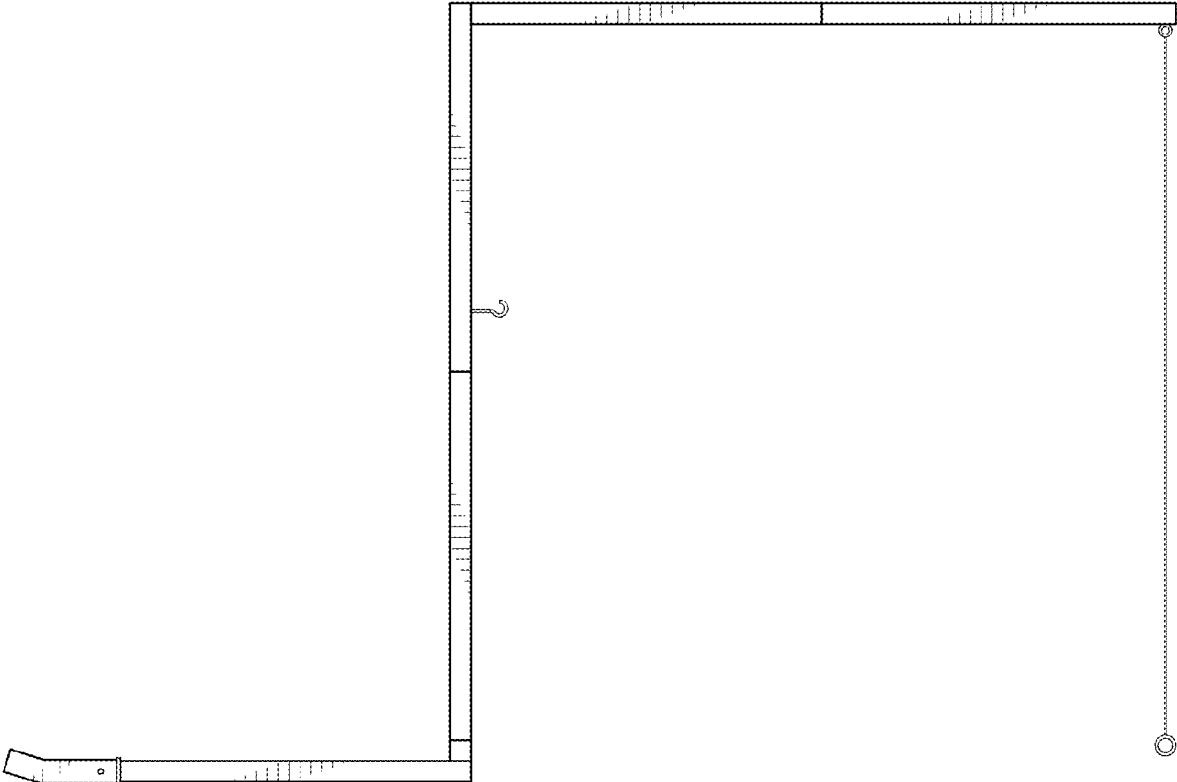


FIG. 5

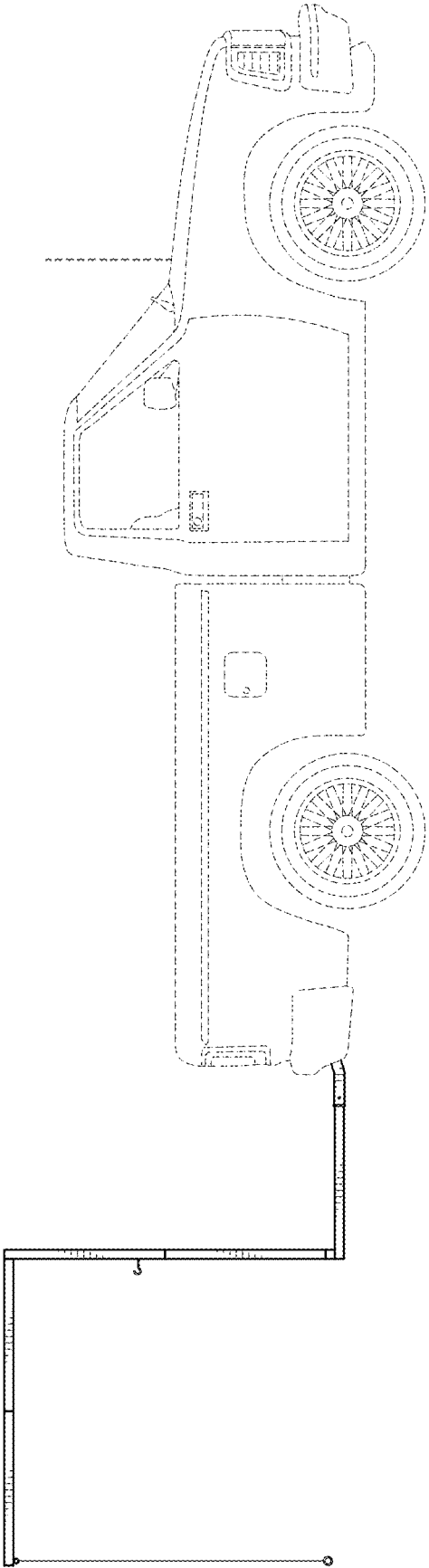


FIG. 6

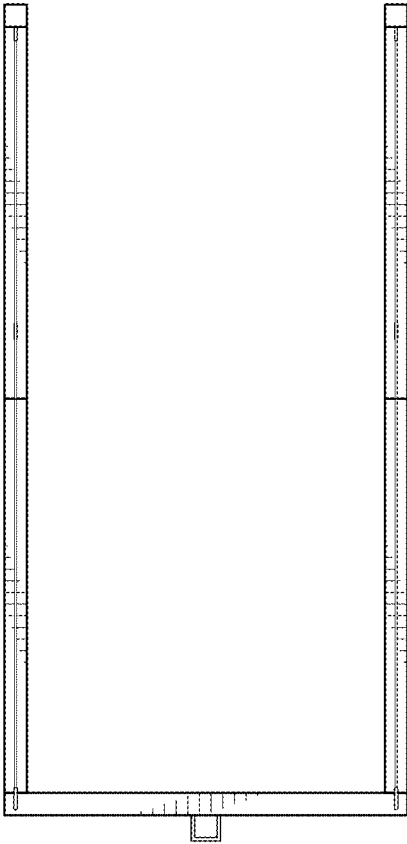


FIG. 7

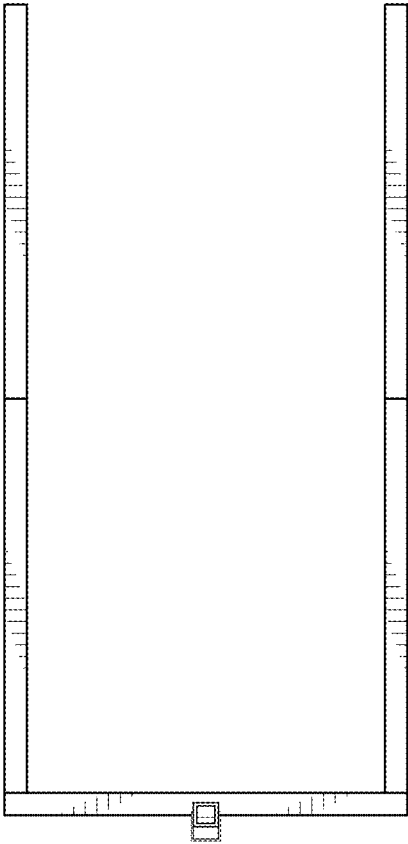


FIG. 8

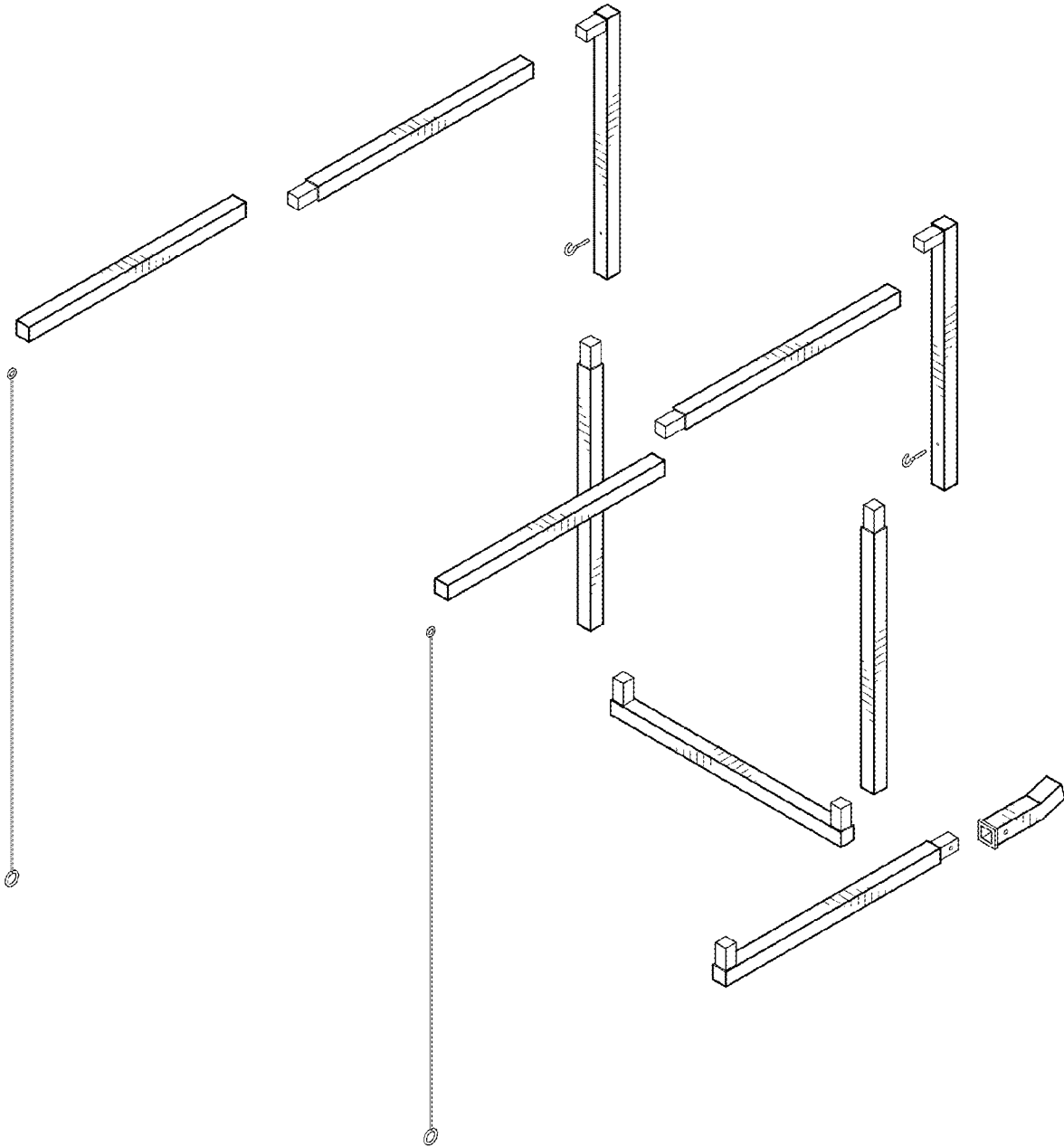


FIG. 9

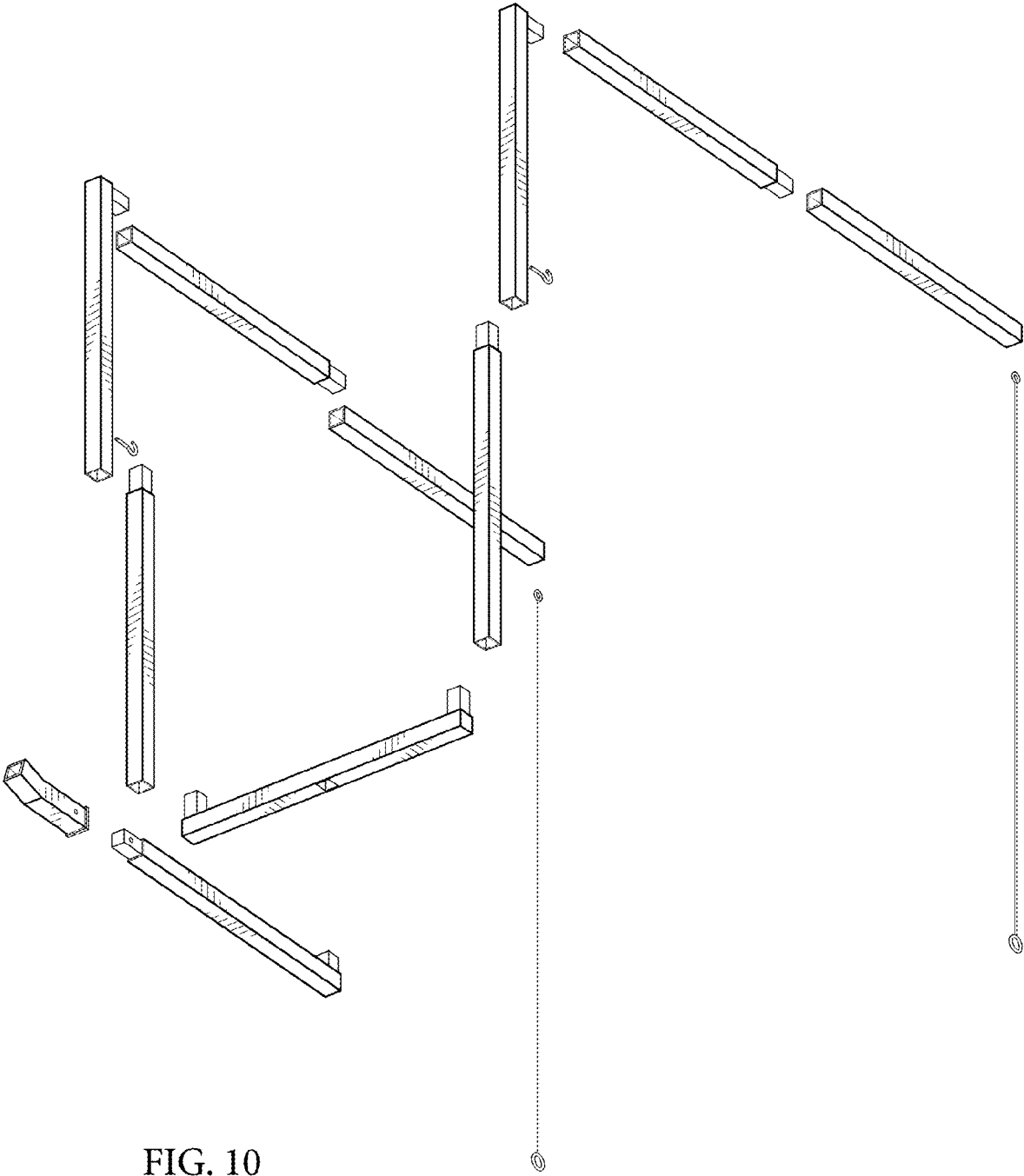


FIG. 10

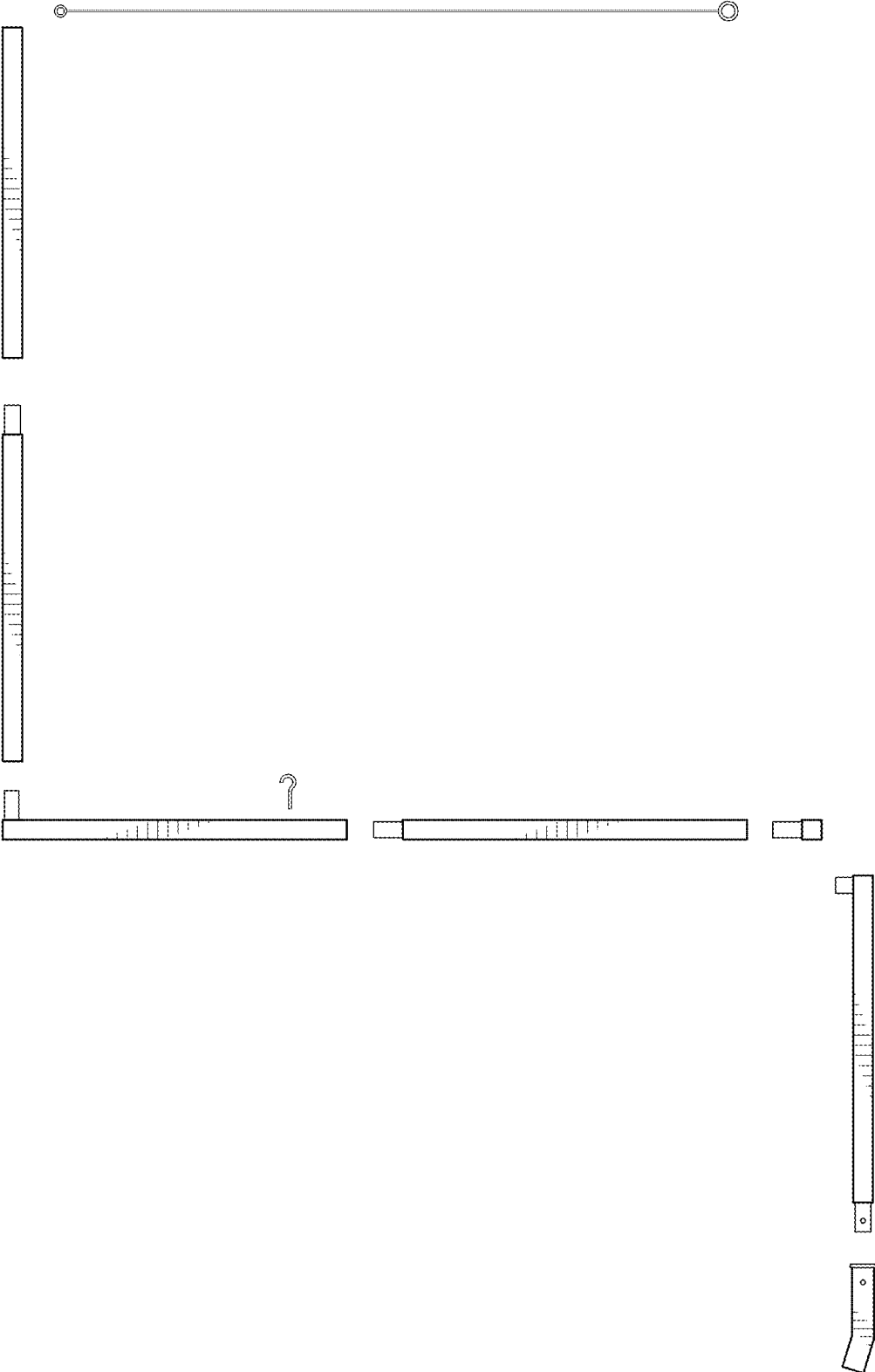


FIG. 11