



US00D968894S

(12) **United States Design Patent**
Wong et al.

(10) **Patent No.:** **US D968,894 S**

(45) **Date of Patent:** **** Nov. 8, 2022**

- (54) **DRINKING BOTTLE**
- (71) Applicant: **SIM DESIGN LIMITED**, Hong Kong (HK)
- (72) Inventors: **Siu Wah Wong**, Hong Kong (HK); **Shun Sang Poon**, Hong Kong (HK)
- (73) Assignee: **SIM DESIGN LIMITED**, Hong Kong (HK)
- (**) Term: **15 Years**
- (21) Appl. No.: **29/732,702**
- (22) Filed: **Apr. 27, 2020**
- (51) **LOC (13) Cl.** **07-01**
- (52) **U.S. Cl.**
USPC **D7/510; D7/511**
- (58) **Field of Classification Search**
USPC D7/507, 510, 511, 523, 531, 532, 608, D7/392.1, 396.2, 396.3; D9/500, 501, D9/502, 447; D3/202
CPC A47J 41/0077; A47J 41/02; A47J 41/0088; A47G 19/2288
See application file for complete search history.

D930,428 S *	9/2021	Lindsay	D7/392.1
D934,624 S *	11/2021	Backs	D7/392.1
D945,215 S *	3/2022	Lowette	D7/396.2

OTHER PUBLICATIONS

CamelBak Carry Cap BPA Free Water Bottle Dec. 21, 2020 https://www.amazon.com/dp/B08R593K9J/ref=cm_sw_em_r_mt_dp_RJ7VQW2SXEQSBXDCK2E4 (Year: 2020).*

* cited by examiner

Primary Examiner — Jae Liang

(74) *Attorney, Agent, or Firm* — Browdy and Neimark, PLLC

(57) **CLAIM**

The ornamental design for a drinking bottle, as shown and described.

DESCRIPTION

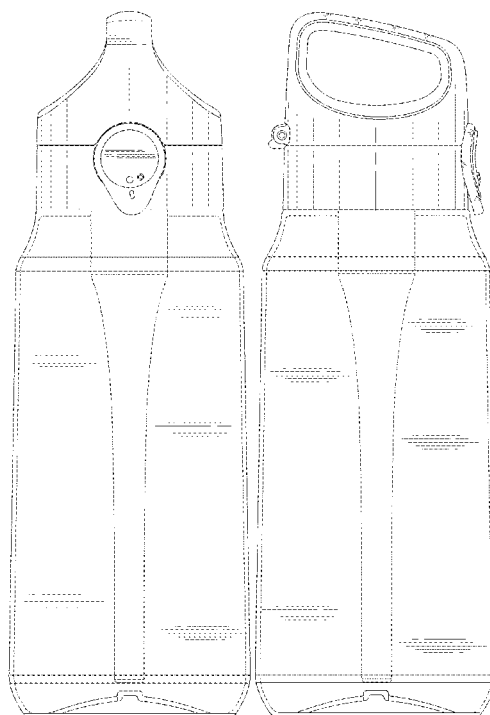
FIG. 1 is a perspective view of a drinking bottle, according to the present design;
 FIG. 2 is a front view thereof;
 FIG. 3 is a rear view thereof;
 FIG. 4 is a left side view thereof;
 FIG. 5 is a right side view thereof;
 FIG. 6 is a top view thereof;
 FIG. 7 is a bottom view thereof; and,
 FIG. 8 is a perspective view of the drinking bottle in an open configuration thereof.
 The broken lines in the drawings illustrate portions of the drinking bottle that form no part of the claimed design.

1 Claim, 8 Drawing Sheets

(56) **References Cited**

U.S. PATENT DOCUMENTS

D662,360 S *	6/2012	George	D7/510
D874,216 S *	2/2020	Henkel	D7/392.1
D879,556 S *	3/2020	Sibbert	D7/511
D885,839 S *	6/2020	Egorov	D7/511
D923,409 S *	6/2021	Backs	D7/511
D929,183 S *	8/2021	Wahl	D7/511



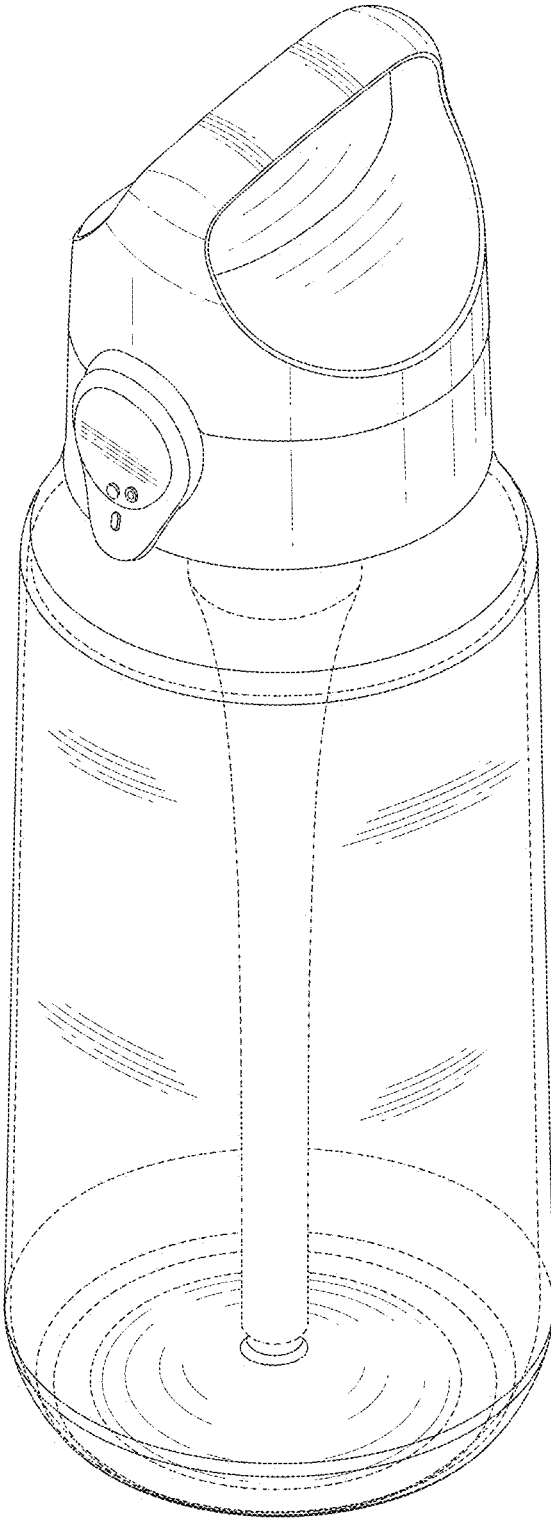


FIG. 1

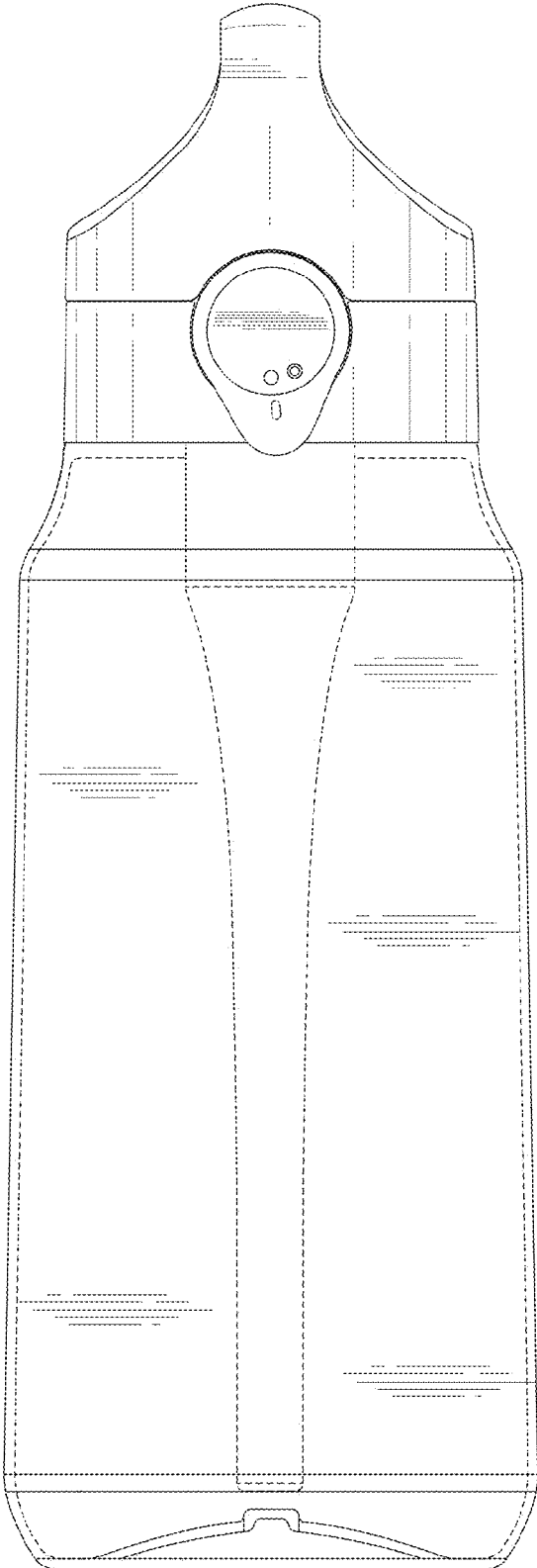


FIG. 2

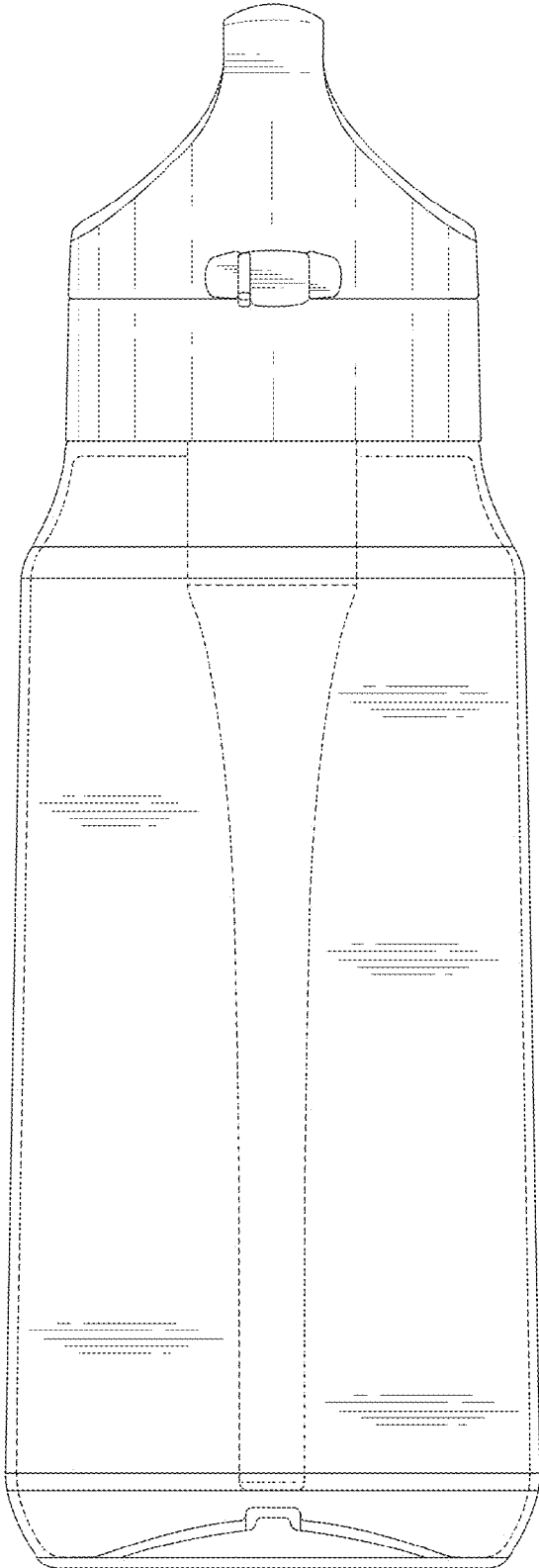


FIG. 3

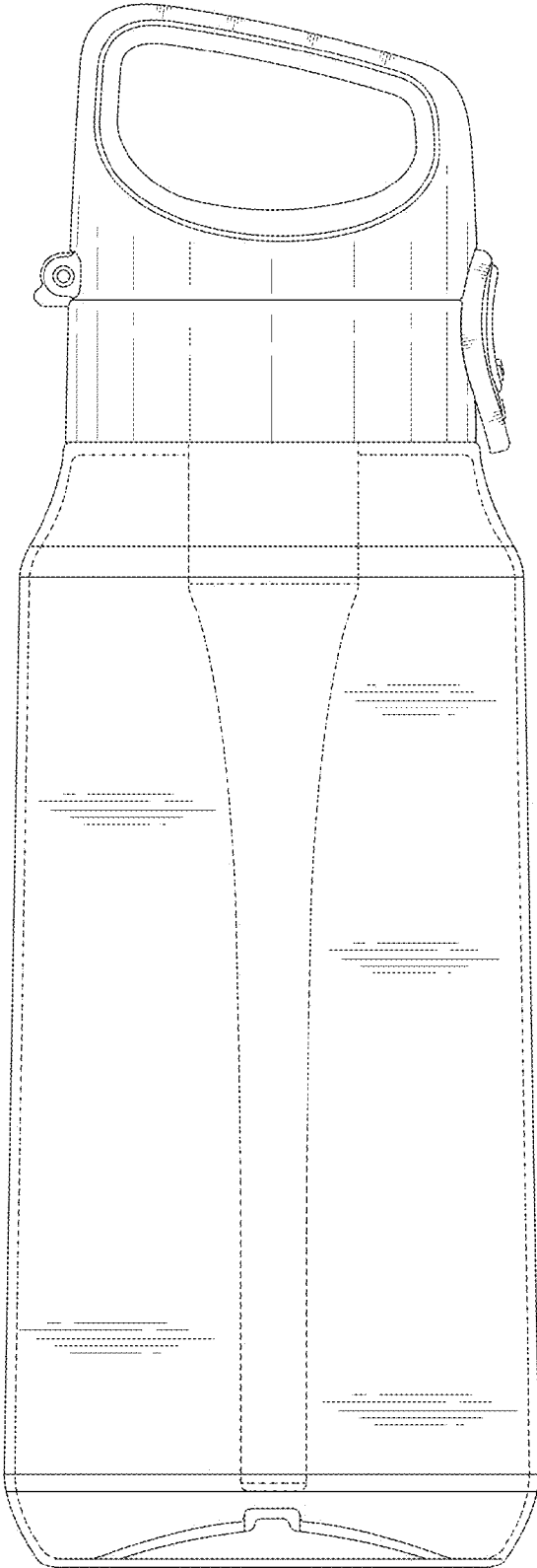


FIG. 4

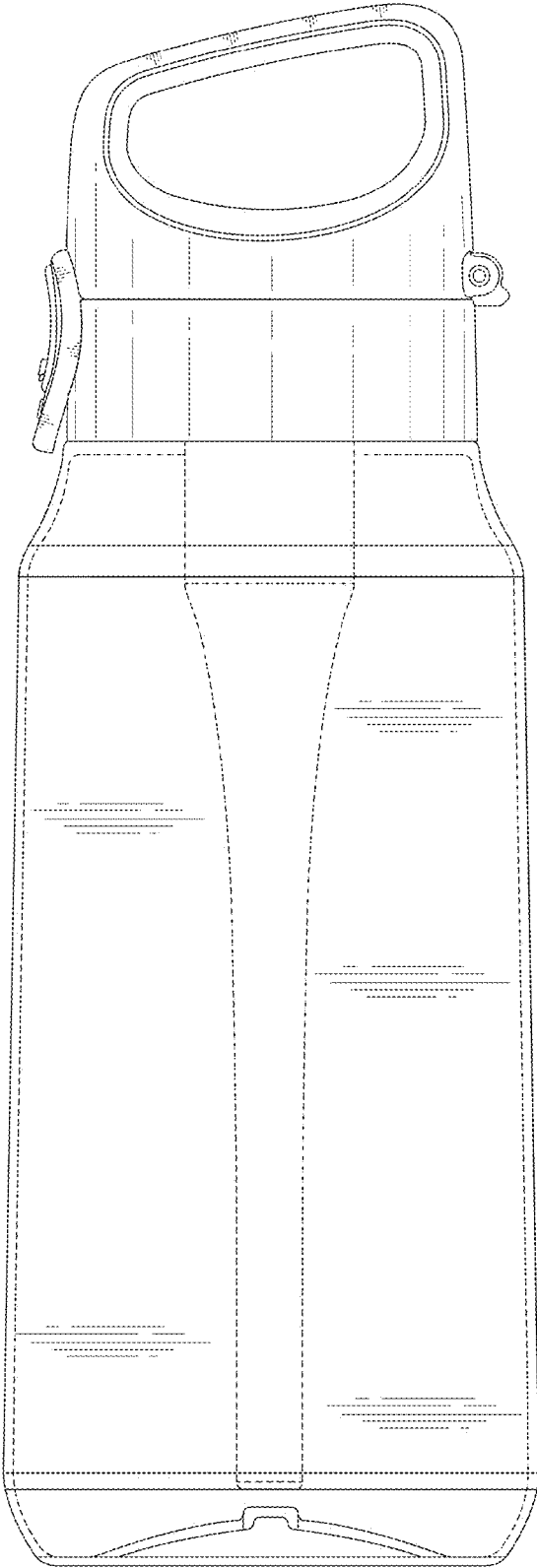


FIG. 5

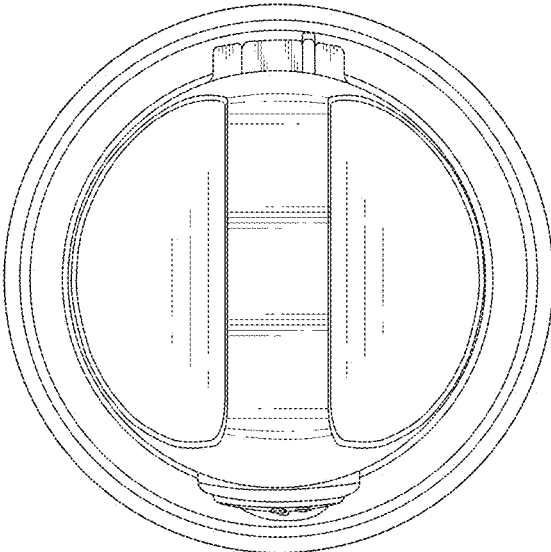


FIG. 6

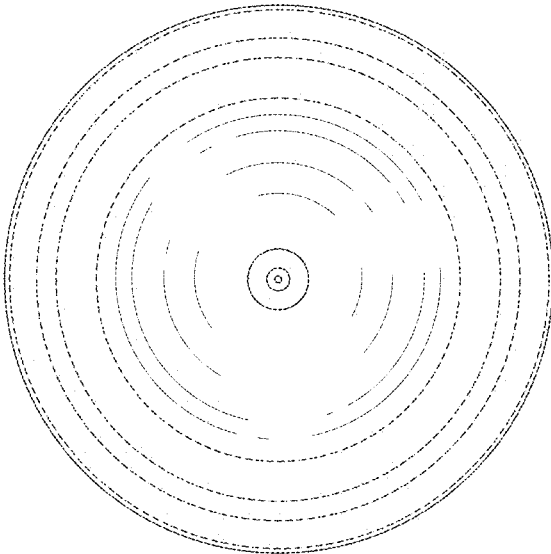


FIG. 7

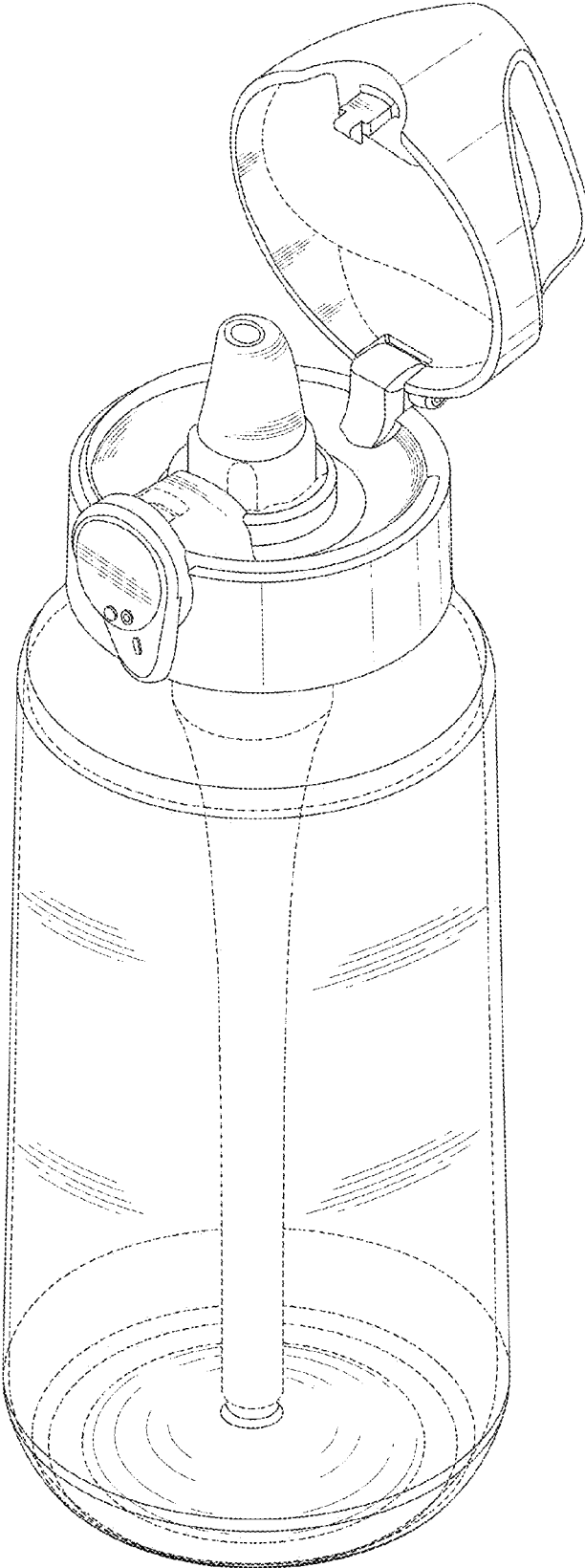


FIG. 8