



US00D876874S

(12) **United States Design Patent**
Varjabedian et al.

(10) **Patent No.:** **US D876,874 S**
(45) **Date of Patent:** **** Mar. 3, 2020**

(54) **USER INTERFACE FOR A FOOD PREPARATION DEVICE**

(56) **References Cited**

U.S. PATENT DOCUMENTS

- (71) Applicant: **SHARKNINJA OPERATING LLC**,
Needham, MA (US)
- (72) Inventors: **Nicholas Varjabedian**, Middleboro,
MA (US); **Benjamin Lenart**, Malden,
MA (US)
- (73) Assignee: **SHARKNINJA OPERATING LLC**,
Needham, MA (US)
- (**) Term: **15 Years**
- (21) Appl. No.: **29/679,920**
- (22) Filed: **Feb. 11, 2019**

Related U.S. Application Data

- (63) Continuation of application No. 29/659,571, filed on
Aug. 9, 2018.

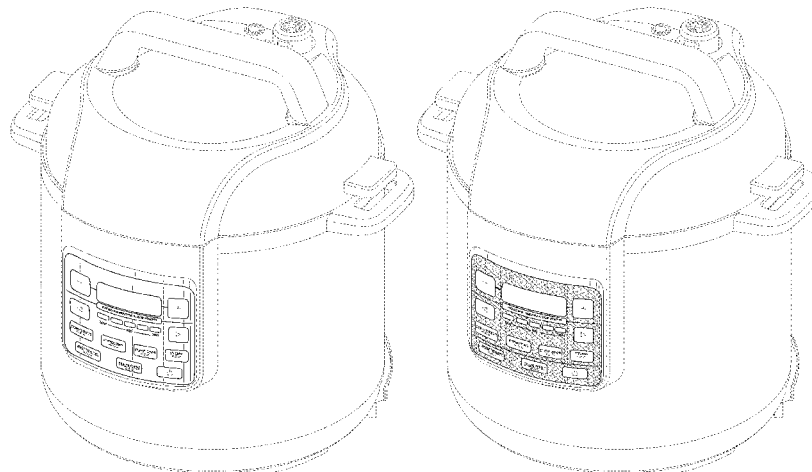
(51) **LOC (12) Cl.** **07-02**

(52) **U.S. Cl.**
USPC **D7/354; D7/358**

(58) **Field of Classification Search**
USPC D7/323, 354-361, 391, 368, 393, 402;
D21/525
CPC A47J 27/00; A47J 27/004; A47J 27/04;
A47J 27/08; A47J 27/0802; A47J
27/0804; A47J 27/0811; A47J 27/0813;
A47J 27/0815; A47J 27/0817; A47J
27/084; A47J 27/09; A47J 27/092; A47J
36/025; A47J 36/06; A47J 37/0641; A47J
37/12; A47J 37/1204; A47J 37/1209;
A47J 45/07; A47J 45/071; A47J 45/074;
A47J 45/08; B01D 2201/345; B01J 3/03;
B01J 3/04; F01P 2011/0247; F01P
2011/0252; H05B 6/00; H05B 6/02;
H05B 6/06

See application file for complete search history.

2,055,972 A	9/1934	Fritsche
1,986,088 A	1/1935	Wild
2,313,968 A	10/1937	Reich
2,378,950 A	10/1937	Reich
2,188,757 A	8/1938	Moon
2,253,833 A	12/1939	Volks
3,076,405 A	2/1963	Lang
3,122,134 A	2/1964	Reeves
3,514,301 A	5/1970	Berger
3,529,582 A	9/1970	Hurko et al.
3,610,885 A	10/1971	Zingg
3,821,454 A	6/1974	Lobel
3,828,760 A	8/1974	Farber et al.
4,106,486 A	8/1978	Lee
4,148,250 A	4/1979	Miki et al.
4,162,741 A	7/1979	Walker et al.
4,210,072 A	7/1980	Pedrini
4,241,288 A	12/1980	Aoshima et al.
4,268,741 A	5/1981	O'Brien
4,374,318 A	2/1983	Gilliom
4,484,063 A	11/1984	Whittenburg et al.
4,509,412 A	4/1985	Whittenburg et al.
4,591,698 A	5/1986	Chang
4,728,762 A	3/1988	Roth et al.
4,771,162 A	9/1988	Schatz
4,848,217 A	7/1989	Koziol
4,889,972 A	12/1989	Chang
5,000,085 A	3/1991	Archer
5,012,071 A	4/1991	Henke
5,029,519 A	7/1991	Boyen
5,031,519 A	7/1991	Toida et al.
5,036,179 A	7/1991	Westerberg et al.
5,048,400 A	9/1991	Ueda et al.
5,092,229 A	3/1992	Chen
5,105,725 A	4/1992	Haglund
5,205,274 A	4/1993	Smith et al.
5,251,542 A	10/1993	Itoh
5,355,777 A	10/1994	Chen et al.
5,416,950 A	5/1995	Dornbush et al.
5,445,061 A	8/1995	Barradas
5,485,780 A	1/1996	Koether et al.
5,513,558 A	5/1996	Erickson et al.
5,526,374 A	6/1996	Harrison
5,526,734 A	6/1996	Harrison
5,549,039 A	8/1996	Ito et al.
5,567,458 A	10/1996	Wu
5,588,352 A	12/1996	Harrison
5,590,583 A	1/1997	Harrison
5,615,607 A	4/1997	Delaquis et al.



US D876,874 S

5,619,983	A	4/1997	Smith	6,705,209	B2	3/2004	Yang et al.
5,632,403	A	5/1997	Deng	6,723,963	B2	4/2004	Ronda
D380,504	S *	7/1997	Yang D21/525	6,730,881	B1	5/2004	Arntz et al.
5,649,476	A	7/1997	Montagnino et al.	6,730,882	B2	5/2004	Atkinson
5,676,044	A	10/1997	Lara, Jr.	6,730,889	B1	5/2004	Jones-Lawlor
5,699,722	A	12/1997	Erickson et al.	6,736,131	B2	5/2004	Yamamoto et al.
5,740,721	A	4/1998	Bizard et al.	6,740,855	B1	5/2004	Decobert et al.
5,768,976	A	6/1998	Suk	6,742,445	B2	6/2004	Backus et al.
5,839,357	A	11/1998	Ha et al.	6,747,250	B1	6/2004	Cha
5,896,808	A	4/1999	Graur	6,755,319	B2	6/2004	Park
5,932,130	A	8/1999	Taino	6,758,132	B1	7/2004	Kuo et al.
5,967,021	A	10/1999	Yung	6,777,651	B1	8/2004	Boyer
6,006,939	A	12/1999	Wai	6,782,805	B2	8/2004	Backus et al.
6,014,986	A	1/2000	Baumgarten	6,782,806	B2	8/2004	Backus et al.
6,019,029	A	2/2000	Chan	6,802,429	B1	10/2004	Wildman
6,023,050	A	2/2000	Violi	6,809,297	B2	10/2004	Moon et al.
6,060,698	A	5/2000	Petrides et al.	6,812,433	B1	11/2004	Barritt
6,066,837	A	5/2000	McCormick et al.	6,815,644	B1	11/2004	Muegge et al.
6,067,896	A	5/2000	Elorza	6,831,254	B2	12/2004	Barritt
6,070,518	A	6/2000	Kao	6,837,150	B2	1/2005	Backus et al.
6,082,249	A	7/2000	Su	6,841,762	B2	1/2005	Suzuki
6,083,543	A	7/2000	Kim et al.	6,845,707	B1	1/2005	Xu et al.
6,097,016	A	8/2000	Hirata et al.	6,851,351	B2	2/2005	Payen et al.
6,104,004	A	8/2000	Ragland et al.	6,872,921	B1	3/2005	Decobert et al.
6,105,808	A	8/2000	Mendonca	6,874,408	B2	4/2005	Backus et al.
6,116,151	A	9/2000	Fickert et al.	6,877,633	B2	4/2005	Niese
6,125,737	A	10/2000	Chang	6,903,310	B1	6/2005	Lee
6,135,012	A	10/2000	Kao	6,917,017	B2	7/2005	Moon et al.
6,135,013	A	10/2000	Barrena	6,933,477	B2	8/2005	Becker et al.
6,158,606	A	12/2000	Oliver	6,935,223	B2	8/2005	Kobayashi
6,173,643	B1	1/2001	Qian et al.	6,936,795	B1	8/2005	Moon et al.
6,178,876	B1	1/2001	Kao	6,936,801	B1	8/2005	Head
6,191,393	B1	2/2001	Park	6,941,857	B2	9/2005	McLemore
6,201,217	B1	3/2001	Moon et al.	7,009,147	B1	3/2006	Schulte
6,242,025	B1	6/2001	Lesky et al.	7,012,220	B2	3/2006	Boyer et al.
6,252,206	B1	6/2001	Leukhardt, III et al.	7,012,221	B2	3/2006	Li
6,255,630	B1	7/2001	Barnes et al.	7,021,203	B2	4/2006	Backus et al.
6,257,124	B1	7/2001	Chen	7,021,204	B2	4/2006	Backus et al.
6,262,396	B1	7/2001	Witt et al.	7,053,337	B2	5/2006	Ragan et al.
6,267,046	B1	7/2001	Wanat	7,060,943	B2	6/2006	Hwang
6,268,592	B1	7/2001	Hu et al.	7,081,601	B2	7/2006	Boyer et al.
6,269,737	B1	8/2001	Rigney et al.	7,082,871	B2	8/2006	Schultz
6,271,504	B1	8/2001	Barritt	7,086,326	B2	8/2006	Yokoyama
6,283,014	B1	9/2001	Ng et al.	7,126,088	B2	10/2006	Horton et al.
6,283,015	B1	9/2001	Kwon et al.	7,148,451	B2	12/2006	Miyake et al.
6,320,166	B1	11/2001	Park	7,154,069	B1	12/2006	Gordon
6,355,914	B1	3/2002	Stockley	7,156,087	B1	1/2007	Churchill et al.
6,384,381	B2	5/2002	Witt et al.	7,157,675	B2	1/2007	Imura
D458,078	S	6/2002	Lin	7,166,822	B1	1/2007	Chang et al.
6,399,925	B1	6/2002	Pickering et al.	D549,517	S *	8/2007	Moran D7/358
6,414,254	B1	7/2002	McNair	7,276,677	B1	10/2007	Shelton
6,425,320	B1	7/2002	Chameroy et al.	7,285,751	B2	10/2007	Li et al.
6,450,085	B1	9/2002	Riesselman	7,322,279	B2	1/2008	Cartigny et al.
6,450,361	B1	9/2002	Mendelson et al.	7,322,280	B2	1/2008	Seurat Guiochet et al.
6,455,085	B1	9/2002	Duta	7,325,481	B2	2/2008	Helm
6,467,645	B2	10/2002	Park	7,368,688	B2	5/2008	Kim et al.
6,486,453	B1	11/2002	Bales et al.	7,373,874	B2	5/2008	Seurat Guiochet et al.
6,494,337	B1	12/2002	Moroni	7,377,208	B2	5/2008	Ho et al.
6,509,550	B1	1/2003	Li	7,411,159	B2	8/2008	Oosterling
6,513,420	B1	2/2003	Park	7,412,922	B2	8/2008	McLemore
6,523,459	B1	2/2003	Chameroy et al.	7,451,691	B2	11/2008	Robertson
6,528,772	B1	3/2003	Graves et al.	7,451,692	B2	11/2008	Baraille et al.
6,540,097	B1	4/2003	Beck et al.	7,468,495	B2	12/2008	Carbone et al.
6,545,252	B2	4/2003	Wang	7,523,696	B2	4/2009	Seurat Guiochet et al.
6,552,309	B1	4/2003	Kish et al.	7,530,302	B2	5/2009	Stephanou
6,559,427	B1	5/2003	Barnes et al.	7,565,862	B2	7/2009	Cartigny et al.
6,565,903	B2	5/2003	Ng et al.	7,605,349	B2	10/2009	Gaynor et al.
6,573,483	B1	6/2003	Decobert et al.	D604,098	S	11/2009	Hamlin
6,604,453	B2	8/2003	Niese	7,619,186	B2	11/2009	Cavada et al.
6,615,706	B1	9/2003	Wu	7,624,674	B2	12/2009	Chameroy et al.
6,615,708	B1	9/2003	Lin	7,637,206	B2	12/2009	Seurat Guiochet et al.
6,631,824	B2	10/2003	Park	7,669,521	B2	3/2010	Cartigny et al.
6,669,047	B2	10/2003	Wooderson et al.	7,703,385	B2	4/2010	Seurat Guiochet et al.
6,648,162	B1	11/2003	Wooderson et al.	7,718,928	B2	5/2010	He et al.
6,617,554	B2	12/2003	Moon et al.	7,726,508	B2	6/2010	Hasegawa
6,657,167	B2	12/2003	Loveless	7,762,420	B2	7/2010	Auwarter et al.
6,695,319	B1	2/2004	Anota et al.	7,766,003	B2	8/2010	Kim
D487,212	S	3/2004	Park	7,775,390	B2	8/2010	De Bastos Reis Portugal et al.
6,698,337	B1	3/2004	Park	7,800,022	B2	9/2010	Kim

US D876,874 S

7,838,799 B2	11/2010	Freedman		9,138,106 B2	9/2015	Walker	
7,875,836 B2	1/2011	Imura et al.		D743,201 S *	11/2015	Aderka	D7/354
7,935,914 B2	5/2011	Imura		9,177,460 B2	11/2015	Fissler	
7,964,824 B2	6/2011	Moon		9,191,998 B2	11/2015	Hegedis et al.	
7,968,824 B2	6/2011	Lee et al.		9,220,362 B2	12/2015	Eades et al.	
8,006,685 B2	8/2011	Bolton et al.		9,237,829 B2	1/2016	Alet Vidal et al.	
8,011,293 B2	9/2011	McFadden et al.		D749,906 S	2/2016	Lee	
D651,456 S *	1/2012	Moon	A47J 39/003	9,271,595 B2	3/2016	Lee	
			D7/402	9,295,354 B2	3/2016	Sloot et al.	
8,096,436 B2	1/2012	Rhetat et al.		D754,469 S	4/2016	Deters	
8,096,440 B2	1/2012	Rhetat et al.		9,301,644 B2	4/2016	Payen et al.	
8,205,543 B2	6/2012	Rhetat et al.		9,314,134 B2	4/2016	Molnar	
8,247,751 B2	8/2012	Jagannathan		9,320,381 B2	4/2016	Chameroy et al.	
D667,255 S *	9/2012	Reiner	A47J 37/0641	9,339,145 B1	5/2016	Owczarzak	
			D7/354	9,341,382 B2	5/2016	Kim	
8,258,435 B2	9/2012	Bonuso et al.		9,351,495 B2	5/2016	McFadden	
D669,730 S	10/2012	Mandil		9,353,954 B2	5/2016	Linnewiel	
8,276,507 B1	10/2012	Walker		9,414,713 B2	8/2016	Jinzhao	
8,286,548 B2	10/2012	Krishnan et al.		9,433,036 B2	8/2016	Kurtimoto et al.	
8,299,404 B2	10/2012	Van Der Weij		9,439,530 B2	9/2016	Logan et al.	
8,302,800 B2	11/2012	Hasegawa		D769,058 S	10/2016	Lee	
8,304,695 B2	11/2012	Bonuso et al.		9,456,713 B2	10/2016	Backaert et al.	
8,330,083 B2	12/2012	Moon et al.		9,470,423 B2	10/2016	Jacob et al.	
8,338,757 B2	12/2012	Isoda et al.		9,474,412 B2	10/2016	Fung et al.	
8,378,265 B2	2/2013	Greenwood et al.		D772,648 S	11/2016	Palermo	
8,381,712 B1	2/2013	Simms, II		9,480,364 B2	11/2016	McKee et al.	
8,393,262 B1	3/2013	Molayem		D774,350 S	12/2016	Mandil	
8,461,488 B2	6/2013	Jeong et al.		D774,356 S	12/2016	Maiorana et al.	
8,517,205 B2	8/2013	Thelen		9,526,367 B2	12/2016	Anota et al.	
8,544,381 B2	10/2013	Cartigny et al.		9,585,509 B2	3/2017	Wassmus et al.	
8,546,731 B2	10/2013	Pellerin et al.		9,596,954 B2	3/2017	Park	
8,561,525 B2	10/2013	Bauchot et al.		9,615,691 B2	4/2017	Xiao	
D693,643 S *	11/2013	Moon	A47J 27/08	9,615,692 B2	4/2017	Hoffmann et al.	
			D7/402	9,615,694 B2	4/2017	Yoshidome	
8,578,293 B2	11/2013	Breunig et al.		9,629,499 B2	4/2017	Kim	
8,581,137 B2	11/2013	Egenter		9,629,500 B2	4/2017	Chance	
8,618,447 B2	12/2013	De'Longhi		9,636,618 B2	5/2017	Fung et al.	
8,637,797 B2	1/2014	Imura		9,642,487 B1	5/2017	McGinn	
D699,514 S	2/2014	Lovley, II et al.		9,648,975 B2	5/2017	Imura	
8,640,908 B2	2/2014	Yang et al.		9,648,985 B2	5/2017	Huang et al.	
8,674,270 B2	3/2014	Anderson et al.		9,681,770 B2	6/2017	Backaert et al.	
8,689,680 B2	4/2014	Park		9,681,773 B2	6/2017	McKee et al.	
8,709,905 B2	4/2014	Crayfourd		9,706,871 B2	7/2017	Matthijs	
8,714,391 B2	5/2014	Milanesi		9,717,364 B2	8/2017	Sladeczek	
8,726,792 B2	5/2014	Shealy et al.		9,737,936 B2	8/2017	Linglin et al.	
8,733,574 B2	5/2014	Heidrich et al.		9,750,089 B2	8/2017	Wiedemann et al.	
D707,078 S	6/2014	Rivera et al.		9,756,980 B1	9/2017	Li et al.	
8,739,690 B2	6/2014	Chameroy et al.		9,763,531 B2	9/2017	Baraille et al.	
8,747,933 B1	6/2014	McGinn		D801,106 S	10/2017	Mirchandani et al.	
8,766,144 B2	7/2014	McLoughlin et al.		9,775,461 B2	10/2017	Yang et al.	
8,777,038 B2	7/2014	Wen		9,795,250 B2	10/2017	Huang	
8,783,498 B2	7/2014	Li		9,801,491 B2	10/2017	Cohade et al.	
8,783,947 B2	7/2014	Ferron et al.		D802,987 S *	11/2017	Corlay	A47J 27/08
D710,647 S	8/2014	Mandil et al.					D7/358
8,800,803 B2	8/2014	Stellwag		9,814,355 B2	11/2017	Winter et al.	
8,808,772 B2	8/2014	Lubrina et al.		9,841,261 B2	12/2017	Raghavan et al.	
8,813,989 B2	8/2014	Hoffmann et al.		9,854,932 B2	1/2018	Tiruvallur	
8,820,220 B2	9/2014	Thelen et al.		9,854,941 B2	1/2018	Bonaccorso	
8,847,129 B2	9/2014	Kim et al.		9,861,231 B2	1/2018	Kim	
8,869,829 B2	10/2014	Hasegawa		9,867,234 B2	1/2018	Thomann et al.	
8,887,939 B2	11/2014	Chameroy et al.		9,872,582 B2	1/2018	Song et al.	
D719,398 S	12/2014	Deters		9,877,610 B2	1/2018	Bucher et al.	
D720,571 S	1/2015	Deters		9,883,768 B2	2/2018	Starflinger	
8,931,402 B2	1/2015	Chameroy et al.		9,888,811 B2	2/2018	Zwanenburg et al.	
8,931,659 B2	1/2015	Rhetat et al.		9,895,028 B2	2/2018	Gerard et al.	
8,944,272 B2	2/2015	Chameroy et al.		9,900,936 B2	2/2018	Imm et al.	
8,944,273 B2	2/2015	Chameroy et al.		9,909,764 B2	3/2018	Bach	
8,973,770 B2	3/2015	He et al.		9,924,830 B1	3/2018	Glucksman et al.	
8,985,372 B2	3/2015	Yang et al.		D815,491 S	4/2018	Hollinger	
8,991,307 B2	3/2015	Grozinger et al.		9,930,990 B1	4/2018	Gupta et al.	
D727,095 S	4/2015	Bak		D817,697 S	5/2018	Zhao	
9,018,566 B2	4/2015	Wang		9,961,721 B2	5/2018	Guillemot et al.	
D728,301 S *	5/2015	Hack	D7/368	9,962,029 B2	5/2018	Baraille et al.	
9,027,468 B2	5/2015	Rhetat et al.		9,980,605 B2	5/2018	De Haas et al.	
9,035,223 B2	5/2015	Noguchi et al.		10,016,085 B2	7/2018	Sapire	
9,055,618 B2	6/2015	Bunzel et al.		10,021,889 B2	7/2018	Vinett	
9,057,526 B2	6/2015	Barritt		10,034,578 B2	7/2018	Ahmed	
9,119,501 B2	9/2015	Xie		D824,717 S	8/2018	Allen	
9,125,513 B2	9/2015	Kim		D826,638 S	8/2018	Zhang	

US D876,874 S

10,045,651	B2	8/2018	Huang	2011/0248020	A1	10/2011	Yuan
10,051,986	B2	8/2018	Schultz et al.	2011/0268153	A1	11/2011	He et al.
10,051,995	B2	8/2018	Buckley et al.	2012/0003364	A1	1/2012	Kling et al.
10,057,946	B2	8/2018	Mills et al.	2012/0009317	A1	1/2012	McLemore
10,058,210	B2	8/2018	Palermo	2012/0012584	A1	1/2012	Chameroy et al.
10,060,632	B2	8/2018	Lim et al.	2012/0024164	A1	2/2012	Park et al.
10,064,518	B2	9/2018	Xiao et al.	2012/0024169	A1	2/2012	Hsu
10,076,206	B2	9/2018	Chameroy et al.	2012/0040067	A1	2/2012	Baraille et al.
D832,023	S	10/2018	Barberi et al.	2012/0048843	A1	3/2012	Feng et al.
D832,030	S	10/2018	Veldeman	2012/0125313	A1	5/2012	Van Der Weij
10,088,371	B2	10/2018	Kaiser et al.	2012/0174797	A1	7/2012	Froza
D833,204	S	11/2018	Lee	2012/0181363	A1	7/2012	Huang
10,117,546	B2	11/2018	Le Grand	2012/0192726	A1	8/2012	Clearman et al.
10,123,656	B2	11/2018	Shanmugam	2012/0217236	A1	8/2012	Takagi
10,130,205	B2	11/2018	Fung et al.	2012/0217252	A1	8/2012	Jung
D834,889	S	12/2018	Moon et al.	2012/0222665	A1	9/2012	Ahmed
10,154,750	B2	12/2018	Allemand et al.	2012/0318149	A1	12/2012	Ahmed
D838,548	S	1/2019	Meller	2013/0019759	A1	1/2013	Tumenbatur et al.
D842,649	S	3/2019	Mishan	2013/0074702	A1	3/2013	Difante
10,231,565	B2	3/2019	Song et al.	2013/0092145	A1	4/2013	Murphy et al.
D846,335	S *	4/2019	Yang D7/358	2013/0104875	A1	5/2013	Schultz et al.
10,244,883	B2	4/2019	Chameroy et al.	2013/0180413	A1	7/2013	Tjerkgaast et al.
10,390,656	B2 *	8/2019	Gill A47J 27/08	2013/0180986	A1	7/2013	He et al.
2002/0179587	A1	12/2002	Hui	2013/0196038	A1	8/2013	Liu
2002/0185012	A1	12/2002	Yokoyama	2013/0255509	A1	10/2013	He et al.
2003/0034027	A1	2/2003	Yamamoto et al.	2013/0276643	A1	10/2013	Krolick et al.
2003/0127447	A1	7/2003	Lin	2013/0298781	A1	11/2013	Ganuzza et al.
2004/0035845	A1	2/2004	Moon et al.	2013/0305933	A1	11/2013	Heidrich et al.
2004/0045446	A1	3/2004	Park	2013/0333685	A1	12/2013	Jeong et al.
2004/0055474	A1	3/2004	Lekic et al.	2014/0021191	A1	1/2014	Moon et al.
2004/0124197	A1	7/2004	Hasegawa	2014/0083306	A1	3/2014	Lee
2004/0222208	A1	11/2004	Ko	2014/0083992	A1	3/2014	Linnewiel
2005/0011370	A1	1/2005	Xu et al.	2014/0102315	A1	4/2014	Park
2005/0034716	A1	2/2005	Harbin	2014/0157994	A1	6/2014	Ryan et al.
2005/0089318	A1	4/2005	Lai et al.	2014/0175085	A1	6/2014	Yang et al.
2005/0223906	A1	10/2005	Xu	2014/0199459	A1	7/2014	Jackson et al.
2005/0284305	A1	12/2005	Angue	2014/0201688	A1	7/2014	Guilleminot et al.
2006/0081235	A1	4/2006	Lundh et al.	2014/0220196	A1	8/2014	Veloo
2007/0045284	A1	3/2007	Balk et al.	2014/0227411	A1	8/2014	Popeil et al.
2007/0095215	A1	5/2007	Ho et al.	2014/0245898	A1	9/2014	Froza
2007/0125768	A1	6/2007	Kim et al.	2014/0251158	A1	9/2014	Yang et al.
2007/0158335	A1	7/2007	Mansbery	2014/0318385	A1	10/2014	Kim
2007/0199557	A1	8/2007	Von Kaenel, Jr.	2014/0318386	A1	10/2014	Kim
2007/0295221	A1	12/2007	Seurat Guiochet et al.	2014/0318387	A1	10/2014	Kim
2008/0022861	A1	1/2008	Ferron	2014/0318388	A1	10/2014	Kim
2008/0078371	A1	4/2008	Boscaino	2014/0318389	A1	10/2014	Kim
2008/0078755	A1	4/2008	Jeon et al.	2014/0322417	A1	10/2014	Kim
2008/0083730	A1	4/2008	Dolgov et al.	2014/0348987	A1	11/2014	Cheng et al.
2008/0095905	A1	4/2008	Sells et al.	2014/0353316	A1	12/2014	Lin
2008/0099008	A1	5/2008	Bolton et al.	2014/0360384	A1	12/2014	Kim
2008/0105137	A1	5/2008	Genslak et al.	2014/0366746	A1	12/2014	Tsai
2008/0142498	A1	6/2008	He et al.	2014/0370176	A1	12/2014	Imura et al.
2008/0163764	A1	7/2008	Payen et al.	2014/0377417	A1	12/2014	Martinez
2008/0206420	A1	8/2008	McFadden	2015/0000535	A1	1/2015	Yoshidome et al.
2008/0213447	A1	9/2008	Payen et al.	2015/0083107	A1	3/2015	Busch et al.
2008/0223224	A1	9/2008	Martin	2015/0122137	A1	5/2015	Chang
2008/0290090	A1	11/2008	Kindler et al.	2015/0136769	A1	5/2015	Quinn et al.
2008/0314258	A1	12/2008	Martin	2015/0201788	A1	7/2015	Douma et al.
2009/0011101	A1	1/2009	Doherty et al.	2015/0201806	A1	7/2015	Yoshidome
2009/0013988	A1	1/2009	Kim et al.	2015/0208845	A1	7/2015	Robbins et al.
2009/0064868	A1	3/2009	Cartossi	2015/0208858	A1	7/2015	Robbins et al.
2009/0095166	A1	4/2009	Jian	2015/0223627	A1	8/2015	Li et al.
2009/0134140	A1	5/2009	Vern Der Weij	2015/0226438	A1	8/2015	Ozyurt et al.
2009/0223380	A1	9/2009	Van Aken	2015/0250187	A1	9/2015	Sakane et al.
2009/0223386	A1	9/2009	Edwards	2015/0292750	A1	10/2015	Delrue et al.
2009/0250452	A1	10/2009	Tse	2015/0305093	A1	10/2015	Smith et al.
2010/0089248	A1	4/2010	Jones	2015/0313399	A1	11/2015	Park
2010/0136194	A1	6/2010	Schutte	2015/0351578	A1	12/2015	Song et al.
2010/0147159	A1	6/2010	Fossati	2015/0366402	A1	12/2015	Wu et al.
2010/0147824	A1	6/2010	Bonuso et al.	2016/0007644	A1	1/2016	Hack et al.
2010/0206289	A1	8/2010	Larsen et al.	2016/0007789	A1	1/2016	Tiruvallur
2010/0282097	A1	11/2010	Schulte	2016/0029829	A1	2/2016	Klein
2011/0003048	A1	1/2011	Sugimoto et al.	2016/0033141	A1	2/2016	Rizzuto
2011/0095015	A1	4/2011	Kao	2016/0037955	A1	2/2016	Kim
2011/0168158	A1	4/2011	Barkhouse	2016/0045067	A1	2/2016	Liao
2011/0120319	A1	5/2011	Chang	2016/0051077	A1	2/2016	Sloot et al.
2011/0126719	A1	6/2011	Valance	2016/0051078	A1	2/2016	Jenkins et al.
2011/0146653	A1	6/2011	Kitatani	2016/0051086	A1	2/2016	De' Longhi
2011/0147376	A1	6/2011	Ueda et al.	2016/0081509	A1	3/2016	Delrue et al.

2016/0100707	A1	4/2016	Huang	2018/0110355	A1	4/2018	Huang et al.
2016/0100713	A1	4/2016	De Haas et al.	2018/0116264	A1	5/2018	De Winter et al.
2016/0113442	A1	4/2016	De Haas et al.	2018/0116438	A1	5/2018	He et al.
2016/0120363	A1	5/2016	Zwanenburg et al.	2018/0125293	A1	5/2018	McNerney et al.
2016/0120364	A1	5/2016	De Haas et al.	2018/0125294	A1	5/2018	Conte et al.
2016/0123660	A1	5/2016	Peng	2018/0140126	A1	5/2018	Van Dillen
2016/0165676	A1	6/2016	Imm et al.	2018/0143086	A1	5/2018	Stoufer et al.
2016/0174749	A1	6/2016	Eades et al.	2018/0153329	A1	6/2018	Glucksman et al.
2016/0174764	A1	6/2016	Xiao	2018/0160840	A1	6/2018	De' Longhi
2016/0174771	A1	6/2016	Benoit et al.	2018/0160849	A1	6/2018	Hebert, Jr. et al.
2016/0183722	A1	6/2016	Fisher	2018/0177322	A1	6/2018	Kim
2016/0206139	A1	6/2016	Johnson	2018/0177343	A1	6/2018	Bonaccorso
2016/0206140	A1	6/2016	Johnson et al.	2018/0184843	A1	7/2018	Kim et al.
2016/0192808	A1	7/2016	Van Der Burg et al.	2018/0184848	A1	7/2018	De' Longhi
2016/0198882	A1	7/2016	Linglin	2018/0192825	A1	7/2018	Popeil et al.
2016/0198883	A1*	7/2016	Wang	2018/0199756	A1	7/2018	Huang
			A47J 27/08	2018/0206672	A1	7/2018	Grace et al.
			426/231	2018/0206677	A1	7/2018	Ivarsson et al.
2016/0206131	A1	7/2016	Chien	2018/0220498	A1	8/2018	Jeon et al.
2016/0219653	A1	7/2016	Kim et al.	2018/0220842	A1	8/2018	Delrue et al.
2016/0220057	A1	8/2016	Smith et al.	2018/0228318	A1	8/2018	Zwanenburg et al.
2016/0235078	A1	8/2016	Farina et al.	2018/0238560	A1	8/2018	Deng et al.
2016/0235239	A1	8/2016	Patadia	2018/0255967	A1	9/2018	Haas et al.
2016/0253080	A1	9/2016	Ban et al.	2018/0255971	A1	9/2018	Moon et al.
2016/0270596	A1	9/2016	Allemand et al.	2018/0263084	A1	9/2018	Yoshino et al.
2016/0278563	A1	9/2016	Choudhary	2018/0266697	A1	9/2018	Dash et al.
2016/0278565	A1	9/2016	Chameroy et al.	2018/0271321	A1	9/2018	Delrue et al.
2016/0281994	A1	9/2016	Nuessler	2018/0271323	A1	9/2018	Zhang et al.
2016/0309956	A1	10/2016	Glucksman	2018/0279832	A1	10/2018	Ohta et al.
2016/0316525	A1	10/2016	Vainionpaa	2018/0289212	A1	10/2018	Sladeczek et al.
2016/0316968	A1	11/2016	Linglin	2018/0296019	A1	10/2018	Kim et al.
2016/0324359	A1	11/2016	Aboujassoum et al.	2018/0303285	A1	10/2018	Cheng
2016/0327280	A1	11/2016	Smith et al.	2018/0317691	A1	11/2018	Huang
2016/0345766	A1	12/2016	Sapire	2018/0317692	A1	11/2018	Huang
2016/0353913	A1	12/2016	Chameroy et al.	2018/0317693	A1	11/2018	Huang
2016/0353914	A1	12/2016	Chameroy et al.	2018/0325313	A1*	11/2018	De' Longhi
2016/0353915	A1	12/2016	Chameroy et al.	2018/0325318	A1	11/2018	De' Longhi et al.
2016/0353916	A1	12/2016	Chameroy et al.	2018/0325322	A1	11/2018	De' Longhi et al.
2016/0360922	A1	12/2016	Xiao et al.	2018/0333004	A1	11/2018	De' Longhi et al.
2016/0367061	A1	12/2016	Chou	2018/0333005	A1	11/2018	Fritz et al.
2016/0374510	A1	12/2016	Albizuri Landazabal	2018/0344085	A1	12/2018	Dutter
2017/0000293	A1	1/2017	Sladeczek et al.	2018/0347829	A1	12/2018	Martini et al.
2017/0020334	A1	1/2017	Sorenson et al.	2018/0353007	A1	12/2018	Eberhart et al.
2017/0055770	A1	3/2017	Case	2018/0353010	A1	12/2018	Delrue et al.
2017/0065127	A1	3/2017	Bonaccorso	2018/0359823	A1	12/2018	Shin et al.
2017/0071034	A1	3/2017	Metz	2019/0000267	A1	1/2019	Li et al.
2017/0079475	A1	3/2017	Buckley et al.	2019/0008316	A1	1/2019	Kim et al.
2017/0089590	A1	3/2017	Bruin-Slot et al.	2019/0021142	A1	1/2019	Mizuta et al.
2017/0099977	A1	4/2017	Liu	2019/0045964	A1	2/2019	Gill et al.
2017/0099984	A1	4/2017	Koetz	2019/0045973	A1*	2/2019	Gill
2017/0099990	A1	4/2017	Magnouloux et al.	2019/0053521	A1	2/2019	Tian et al.
2017/0099995	A1	4/2017	Magnouloux	2019/0059647	A1	2/2019	Floessholzer
2017/0119192	A1	5/2017	Sanserverino	2019/0069719	A1	3/2019	Huang et al.
2017/0172335	A1	6/2017	Colas et al.	2019/0082876	A1	3/2019	Shi et al.
2017/0181564	A1	6/2017	He et al.				
2017/0199658	A1	7/2017	Stoufer et al.				
2017/0231415	A1	8/2017	Cheng et al.				
2017/0231430	A1	8/2017	Moon et al.				
2017/0245674	A1	8/2017	Imura				
2017/0245683	A1	8/2017	Chen et al.	CN	2253170	Y	4/1997
2017/0245686	A1	8/2017	Man	CN	1218653	A	6/1999
2017/0251872	A1	9/2017	Li et al.	CN	2389593	Y	8/2000
2017/0251874	A1	9/2017	Sladeczek	CN	2450993	Y	10/2001
2017/0280914	A1	10/2017	Kumar et al.	CN	2469839	Y	1/2002
2017/0290452	A1	10/2017	Guillaume et al.	CN	2479871	Y	3/2002
2017/0295993	A1	10/2017	Li et al.	CN	1139352	C	2/2004
2017/0303740	A1	10/2017	Bonaccorso	CN	1148142	C	5/2004
2017/0332823	A1	11/2017	Sanseverino	CN	1158963	C	7/2004
2017/0360238	A1	12/2017	Bogazzi	CN	2719176	Y	8/2005
2017/0360254	A1	12/2017	Muhr et al.	CN	1883351	A	12/2006
2017/0360255	A1	12/2017	Karau	CN	2855256	Y	1/2007
2017/0367514	A1	12/2017	In 'T Groen et al.	CN	2904903	Y	5/2007
2017/0370595	A1	12/2017	Yang et al.	CN	1981682	A	6/2007
2018/0000285	A1	1/2018	Backus et al.	CN	1985727	A	6/2007
2018/0007744	A1	1/2018	Nonaka et al.	CN	1989884	A	7/2007
2018/0028017	A1	2/2018	Wu	CN	100998476	A	7/2007
2018/0035698	A1	2/2018	McNerney et al.	CN	101023842	A	8/2007
2018/0073739	A1	3/2018	Dumenil	CN	101053485	A	10/2007
2018/0078089	A1	3/2018	Sauer et al.	CN	200987595	Y	12/2007
2018/0103796	A1	4/2018	Park	CN	101099635	A	1/2008
				CN	101108064	A	1/2008

FOREIGN PATENT DOCUMENTS

US D876,874 S

CN	101112291	A	1/2008	CN	103220947	A	7/2013
CN	101112292	A	1/2008	CN	103222807	A	7/2013
CN	101112293	A	1/2008	CN	203041954	U	7/2013
CN	101142448	A	3/2008	CN	203041955	U	7/2013
CN	101185556	A	5/2008	CN	102342739	B	8/2013
CN	100401957	C	7/2008	CN	203122175	U	8/2013
CN	101209179	A	7/2008	CN	103299132	A	9/2013
CN	101209180	A	7/2008	CN	203195497	U	9/2013
CN	201079267	Y	7/2008	CN	203195499	U	9/2013
CN	100425186	C	10/2008	CN	103375826	A	10/2013
CN	100428906	C	10/2008	CN	203234602	U	10/2013
CN	101273834	A	10/2008	CN	203234613	U	10/2013
CN	201139427	Y	10/2008	CN	102319018	B	11/2013
CN	101322614	A	12/2008	CN	203302862	U	11/2013
CN	201197609	Y	2/2009	CN	103445669	A	12/2013
CN	100464682	C	3/2009	CN	102397005	B	1/2014
CN	100469289	C	3/2009	CN	103491830	A	1/2014
CN	201207144	Y	3/2009	CN	203407931	U	1/2014
CN	101432608	A	5/2009	CN	103649643	A	3/2014
CN	101438929	A	5/2009	CN	103750730	A	4/2014
CN	100496350	C	6/2009	CN	203539138	U	4/2014
CN	100522018	C	8/2009	CN	203597772	U	5/2014
CN	100531628	C	8/2009	CN	203615383	U	5/2014
CN	100534363	C	9/2009	CN	203634023	U	6/2014
CN	101518409	A	9/2009	CN	203647141	U	6/2014
CN	100559999	C	11/2009	CN	203662545	U	6/2014
CN	201365839	Y	12/2009	CN	103892696	A	7/2014
CN	100588351	C	2/2010	CN	103948308	A	7/2014
CN	101669761	A	3/2010	CN	203693372	U	7/2014
CN	101766443	A	7/2010	CN	203723888	U	7/2014
CN	101791190	A	8/2010	CN	104000478	A	8/2014
CN	101828856	A	9/2010	CN	203762926	U	8/2014
CN	101856086	A	10/2010	CN	203776718	U	8/2014
CN	201602600	U	10/2010	CN	203776719	U	8/2014
CN	201624512	U	11/2010	CN	203776729	U	8/2014
CN	101936550	A	1/2011	CN	203828675	U	9/2014
CN	101940273	A	1/2011	CN	203873602	U	10/2014
CN	101420893	B	2/2011	CN	203885286	U	10/2014
CN	101977536	A	2/2011	CN	203953373	U	11/2014
CN	201888709	U	7/2011	CN	203970073	U	12/2014
CN	201929758	U	8/2011	CN	203970160	U	12/2014
CN	201948771	U	8/2011	CN	203987492	U	12/2014
CN	102178445	A	9/2011	CN	203987520	U	12/2014
CN	102178464	A	9/2011	CN	203987550	U	12/2014
CN	201958652	U	9/2011	CN	203987551	U	12/2014
CN	101305890	B	11/2011	CN	204016055	U	12/2014
CN	102240164	A	11/2011	CN	204016056	U	12/2014
CN	102307500	A	1/2012	CN	204049362	U	12/2014
CN	102313306	A	2/2012	CN	204091768	U	1/2015
CN	102349791	A	2/2012	CN	104323708	A	2/2015
CN	202151310	U	2/2012	CN	104367182	A	2/2015
CN	102368936	A	3/2012	CN	204133165	U	2/2015
CN	202184614	U	4/2012	CN	204133291	U	2/2015
CN	101692958	B	5/2012	CN	204158183	U	2/2015
CN	202207075	U	5/2012	CN	104433841	A	3/2015
CN	202234720	U	5/2012	CN	204192406	U	3/2015
CN	202234761	U	5/2012	CN	104490294	A	4/2015
CN	202312886	U	7/2012	CN	102917623	B	5/2015
CN	102670079	A	9/2012	CN	104613515	A	5/2015
CN	202408428	U	9/2012	CN	104622274	A	5/2015
CN	202408455	U	9/2012	CN	104676681	A	6/2015
CN	102755120	A	10/2012	CN	104688019	A	6/2015
CN	102824120	A	12/2012	CN	104706212	A	6/2015
CN	202619362	U	12/2012	CN	104754992	A	7/2015
CN	102100481	B	1/2013	CN	104757872	A	7/2015
CN	102883641	A	1/2013	CN	104814665	A	8/2015
CN	202636678	U	1/2013	CN	104856561	A	8/2015
CN	103006045	A	4/2013	CN	104856563	A	8/2015
CN	103006092	A	4/2013	CN	204580991	U	8/2015
CN	202858889	U	4/2013	CN	104873098	A	9/2015
CN	103142128	A	6/2013	CN	104887063	A	9/2015
CN	103142151	A	6/2013	CN	204636063	U	9/2015
CN	103169371	A	6/2013	CN	104983318	A	10/2015
CN	103179884	A	6/2013	CN	104997394	A	10/2015
CN	202960194	U	6/2013	CN	204697804	U	10/2015
CN	202981682	U	6/2013	CN	105011741	A	11/2015
CN	203000535	U	6/2013	CN	105030035	A	11/2015
CN	103188947	A	7/2013	CN	105054772	B	11/2015
CN	103188970	A	7/2013	CN	105054773	B	11/2015

US D876,874 S

Page 7

CN	204734374	U	11/2015	CN	105902144	A	8/2016
CN	204743846	U	11/2015	CN	105902150	A	8/2016
CN	204765197	U	11/2015	CN	205410811	U	8/2016
CN	204797615	U	11/2015	CN	205425108	U	8/2016
CN	204797616	U	11/2015	CN	205433281	U	8/2016
CN	103813738	B	12/2015	CN	205433317	U	8/2016
CN	105105624	A	12/2015	CN	205433320	U	8/2016
CN	105105626	A	12/2015	CN	105919411	A	9/2016
CN	105167591	B	12/2015	CN	105919417	A	9/2016
CN	105167592	A	12/2015	CN	105935244	A	9/2016
CN	105193301	A	12/2015	CN	105935258	A	9/2016
CN	204839219	U	12/2015	CN	105972653	A	9/2016
CN	204889693	U	12/2015	CN	205568641	U	9/2016
CN	105212693	B	1/2016	CN	205568772	U	9/2016
CN	105212730	A	1/2016	CN	205597052	U	9/2016
CN	105231811	A	1/2016	CN	105982529	A	10/2016
CN	105231812	A	1/2016	CN	105996737	A	10/2016
CN	105231813	A	1/2016	CN	105996752	A	10/2016
CN	105266565	A	1/2016	CN	105996753	A	10/2016
CN	105266577	A	1/2016	CN	106037448	A	10/2016
CN	204995259	U	1/2016	CN	106037457	A	10/2016
CN	105286496	A	2/2016	CN	106037458	A	10/2016
CN	105286498	A	2/2016	CN	106073481	A	11/2016
CN	105286627	A	2/2016	CN	106073517	A	11/2016
CN	105326332	A	2/2016	CN	106108627	A	11/2016
CN	105342454	A	2/2016	CN	106108631	A	11/2016
CN	205018878	U	2/2016	CN	106166030	A	11/2016
CN	105380512	A	3/2016	CN	205671926	U	11/2016
CN	105380513	A	3/2016	CN	205671927	U	11/2016
CN	105380514	A	3/2016	CN	106175412	A	12/2016
CN	105411378	A	3/2016	CN	106175476	A	12/2016
CN	105411379	A	3/2016	CN	106213979	A	12/2016
CN	105433778	A	3/2016	CN	106235878	A	12/2016
CN	105433779	A	3/2016	CN	205831665	U	12/2016
CN	105451610	A	3/2016	CN	106264085	A	1/2017
CN	105455628	A	4/2016	CN	106264095	A	1/2017
CN	105455664	A	4/2016	CN	106343895	A	1/2017
CN	105455671	A	4/2016	CN	205860134	U	1/2017
CN	105476461	A	4/2016	CN	106377158	A	2/2017
CN	105476464	A	4/2016	CN	106377159	A	2/2017
CN	105476472	A	4/2016	CN	106388565	A	2/2017
CN	105476491	A	4/2016	CN	106388572	A	2/2017
CN	105496184	A	4/2016	CN	106419486	A	2/2017
CN	105496185	A	4/2016	CN	106419521	A	2/2017
CN	105496224	A	4/2016	CN	106419524	A	2/2017
CN	205126014	U	4/2016	CN	102805554	B	3/2017
CN	105534269	A	5/2016	CN	106473623	A	3/2017
CN	105559571	A	5/2016	CN	106490967	A	3/2017
CN	105595792	A	5/2016	CN	106510449	A	3/2017
CN	105595803	A	5/2016	CN	206026100	U	3/2017
CN	205197727	U	5/2016	CN	206044349	U	3/2017
CN	205214967	U	5/2016	CN	106551617	A	4/2017
CN	205215045	U	5/2016	CN	106580074	A	4/2017
CN	102440681	B	6/2016	CN	206062888	U	4/2017
CN	102783908	B	6/2016	CN	206102391	U	4/2017
CN	103648337	B	6/2016	CN	206119969	U	4/2017
CN	105615638	A	6/2016	CN	106618154	A	5/2017
CN	105615639	A	6/2016	CN	106667244	A	5/2017
CN	105615686	A	6/2016	CN	106691171	A	5/2017
CN	105640299	A	6/2016	CN	206166726	U	5/2017
CN	105640302	A	6/2016	CN	106805744	A	6/2017
CN	105640309	A	6/2016	CN	106805746	A	6/2017
CN	105640351	A	6/2016	CN	106805747	A	6/2017
CN	105662112	A	6/2016	CN	106805749	A	6/2017
CN	105662125	A	6/2016	CN	106805750	A	6/2017
CN	105662126	A	6/2016	CN	106805752	A	6/2017
CN	105662127	A	6/2016	CN	106820951	A	6/2017
CN	105708312	A	6/2016	CN	106820954	A	6/2017
CN	205322075	U	6/2016	CN	106821017	A	6/2017
CN	104605727	B	7/2016	CN	106852641	A	6/2017
CN	105725730	A	7/2016	CN	106859298	A	6/2017
CN	105725829	A	7/2016	CN	106913201	A	7/2017
CN	105768859	A	7/2016	CN	106923655	A	7/2017
CN	105768860	A	7/2016	CN	106943000	A	7/2017
CN	103908166	B	8/2016	CN	106943002	A	7/2017
CN	105816023	A	8/2016	CN	106955017	A	7/2017
CN	105832176	A	8/2016	CN	106974548	A	7/2017
CN	105852667	A	8/2016	CN	106983360	A	7/2017
CN	105852668	A	8/2016	CN	107019418	A	8/2017

US D876,874 S

Page 8

CN	107019419	A	8/2017	CN	107836981	A	3/2018
CN	107019420	A	8/2017	CN	107836986	A	3/2018
CN	107019423	A	8/2017	CN	107836988	A	3/2018
CN	107048976	A	8/2017	CN	207084680	U	3/2018
CN	107048991	A	8/2017	CN	107874584	A	4/2018
CN	107048993	A	8/2017	CN	107874599	A	4/2018
CN	107105914	A	8/2017	CN	107874601	A	4/2018
CN	104334066	B	9/2017	CN	107874602	A	4/2018
CN	107136910	A	9/2017	CN	107898351	A	4/2018
CN	107136911	A	9/2017	CN	107928388	A	4/2018
CN	107149395	A	9/2017	CN	107928395	A	4/2018
CN	107149398	A	9/2017	CN	107951369	A	4/2018
CN	105142473	B	10/2017	CN	107951376	A	4/2018
CN	107224188	A	10/2017	CN	107951407	A	4/2018
CN	107224197	A	10/2017	CN	107969907	A	5/2018
CN	107232962	A	10/2017	CN	107969908	A	5/2018
CN	107259978	A	10/2017	CN	107981713	A	5/2018
CN	107290094	A	10/2017	CN	107997571	A	5/2018
CN	107296485	A	10/2017	CN	108013742	A	5/2018
CN	107296486	A	10/2017	CN	108013743	A	5/2018
CN	107296487	A	10/2017	CN	108030404	A	5/2018
CN	107296488	A	10/2017	CN	108041976	A	5/2018
CN	107296489	A	10/2017	CN	108095570	A	6/2018
CN	107296490	A	10/2017	CN	108113501	A	6/2018
CN	107296493	A	10/2017	CN	108143256	A	6/2018
CN	107296494	A	10/2017	CN	108143259	A	6/2018
CN	104643954	B	11/2017	CN	108143260	A	6/2018
CN	107307729	A	11/2017	CN	108143261	A	6/2018
CN	107307730	A	11/2017	CN	108143262	A	6/2018
CN	107361637	A	11/2017	CN	108143263	A	6/2018
CN	107397431	A	11/2017	CN	108143264	A	6/2018
CN	107411540	A	12/2017	CN	108158429	A	6/2018
CN	107440490	A	12/2017	CN	108209547	A	6/2018
CN	107468052	A	12/2017	CN	104207651	B	7/2018
CN	107495849	A	12/2017	CN	106175423	A	7/2018
CN	107495856	A	12/2017	CN	108244994	A	7/2018
CN	107510356	A	12/2017	CN	108244995	A	7/2018
CN	107510379	A	12/2017	CN	108244997	A	7/2018
CN	206687606	U	12/2017	CN	108244998	A	7/2018
CN	106213986	B	1/2018	CN	108244999	A	7/2018
CN	107550258	A	1/2018	CN	108245000	A	7/2018
CN	107616686	A	1/2018	CN	108261055	A	7/2018
CN	107647763	A	2/2018	CN	108261056	A	7/2018
CN	107647769	A	2/2018	CN	108261061	A	7/2018
CN	107647771	A	2/2018	CN	108272336	A	7/2018
CN	107647772	A	2/2018	CN	108272338	A	7/2018
CN	107647777	A	2/2018	CN	108294616	A	7/2018
CN	107660996	A	2/2018	CN	108309035	A	7/2018
CN	107660997	A	2/2018	CN	108324096	A	7/2018
CN	107684336	A	2/2018	CN	106388570	B	8/2018
CN	107684337	A	2/2018	CN	106419517	B	8/2018
CN	107684338	A	2/2018	CN	108354444	A	8/2018
CN	107684339	A	2/2018	CN	108354466	A	8/2018
CN	107684340	A	2/2018	CN	108378678	A	8/2018
CN	107684341	A	2/2018	CN	108378690	A	8/2018
CN	107684342	A	2/2018	CN	108402888	A	8/2018
CN	107692806	A	2/2018	CN	108402889	A	8/2018
CN	107702838	A	2/2018	CN	108402920	A	8/2018
CN	107713732	A	2/2018	CN	108420304	A	8/2018
CN	107713733	A	2/2018	CN	108433517	A	8/2018
CN	107713734	A	2/2018	CN	108433529	A	8/2018
CN	107726388	A	2/2018	CN	108451351	A	8/2018
CN	106419522	B	3/2018	CN	108451388	A	8/2018
CN	107752726	A	3/2018	CN	108464732	A	8/2018
CN	107752748	A	3/2018	CN	207754989	U	8/2018
CN	107752751	A	3/2018	CN	207755036	U	8/2018
CN	107752788	A	3/2018	CN	106539491	B	9/2018
CN	107773021	A	3/2018	CN	107019415	B	9/2018
CN	107773026	A	3/2018	CN	107019416	B	9/2018
CN	107773029	A	3/2018	CN	108477987	A	9/2018
CN	107773090	A	3/2018	CN	108497908	A	9/2018
CN	107788820	A	3/2018	CN	108497914	A	9/2018
CN	107788827	A	3/2018	CN	108497918	A	9/2018
CN	107811499	A	3/2018	CN	108497942	A	9/2018
CN	107811517	A	3/2018	CN	108523647	A	9/2018
CN	107811518	A	3/2018	CN	108523649	A	9/2018
CN	107822492	A	3/2018	CN	108552969	A	9/2018
CN	107822494	A	3/2018	CN	108552989	A	9/2018
CN	107822496	A	3/2018	CN	108567309	A	9/2018

US D876,874 S

Page 9

CN	108567321	A	9/2018	CN	107174117	B	3/2019
CN	108567322	A	9/2018	CN	109393957	A	3/2019
CN	108577514	A	9/2018	CN	105640308	A	6/2019
CN	106264094	B	10/2018	EP	1767860	A1	3/2007
CN	108606627	A	10/2018	JP	2014200627	A	10/2014
CN	108618592	A	10/2018	JP	2014204770	A	10/2014
CN	108618593	A	10/2018	WO	8911773	A1	11/1989
CN	108618594	A	10/2018	WO	9837796	A1	9/1998
CN	108618595	A	10/2018	WO	9952328	A1	10/1999
CN	108618597	A	10/2018	WO	0044096		7/2000
CN	108618651	A	10/2018	WO	0049839	A1	8/2000
CN	108634771	A	10/2018	WO	2006122643	A1	11/2006
CN	108634777	A	10/2018	WO	2009043812	A1	4/2009
CN	108634807	A	10/2018	WO	2015006891	A1	1/2015
CN	108652431	A	10/2018	WO	2015028940	A1	3/2015
CN	108652432	A	10/2018	WO	2015081549	A1	6/2015
CN	108670021	A	10/2018	WO	2016007002	A1	1/2016
CN	108670023	A	10/2018	WO	2016028549	A1	2/2016
CN	108703644	A	10/2018	WO	2016091063	A1	6/2016
CN	108703645	A	10/2018	WO	2016141009	A1	9/2016
CN	108703675	A	10/2018	WO	2016148492	A1	9/2016
CN	106580073	B	11/2018	WO	2016154114	A1	9/2016
CN	108720548	A	11/2018	WO	2016165198	A1	10/2016
CN	108720577	A	11/2018	WO	2016171385	A1	10/2016
CN	108720581	A	11/2018	WO	2016182975	A1	11/2016
CN	108720584	A	11/2018	WO	2016189440		12/2016
CN	108720585	A	11/2018	WO	2016193008	A1	12/2016
CN	108720586	A	11/2018	WO	2016193643	A1	12/2016
CN	108720633	A	11/2018	WO	2017005533	A1	1/2017
CN	108732958	A	11/2018	WO	2017039091	A1	3/2017
CN	108771466	A	11/2018	WO	2017045387	A1	3/2017
CN	108784323	A	11/2018	WO	2017049635	A1	3/2017
CN	108784324	A	11/2018	WO	2017049717	A1	3/2017
CN	108784330	A	11/2018	WO	2017050693	A2	3/2017
CN	108784401	A	11/2018	WO	2017063872	A1	4/2017
CN	108814274	A	11/2018	WO	2017072068	A1	5/2017
CN	108836104	A	11/2018	WO	2017074119	A1	5/2017
CN	108836105	A	11/2018	WO	2017076797	A1	5/2017
CN	108836107	A	11/2018	WO	2017081420	A1	5/2017
CN	108836108	A	11/2018	WO	2017085026	A1	5/2017
CN	108836131	A	11/2018	WO	2017085671	A1	5/2017
CN	108851966	A	11/2018	WO	2017085673	A1	5/2017
CN	108851969	A	11/2018	WO	2017086543	A1	5/2017
CN	108888087	A	11/2018	WO	2017092062	A1	6/2017
CN	108888099	A	11/2018	WO	2017092063	A1	6/2017
CN	108903620	A	11/2018	WO	2017094968	A1	6/2017
CN	108903621	A	11/2018	WO	2017097790	A1	6/2017
CN	106419520	B	12/2018	WO	2017104892	A1	6/2017
CN	106419526	B	12/2018	WO	2017104894	A1	6/2017
CN	108926239	A	12/2018	WO	2017104895	A1	6/2017
CN	108926249	A	12/2018	WO	2017104896	A1	6/2017
CN	108937520	A	12/2018	WO	2017104898	A1	6/2017
CN	108937525	A	12/2018	WO	2017104900	A1	6/2017
CN	108937556	A	12/2018	WO	2017105076	A2	6/2017
CN	108937558	A	12/2018	WO	2017111425	A1	6/2017
CN	108937559	A	12/2018	WO	2017121691	A1	7/2017
CN	108937560	A	12/2018	WO	2017127655	A1	7/2017
CN	108955959	A	12/2018	WO	2017144795	A1	8/2017
CN	108968659	A	12/2018	WO	2017149519	A1	9/2017
CN	108968660	A	12/2018	WO	2017152518	A1	9/2017
CN	108968662	A	12/2018	WO	2017153360	A1	9/2017
CN	108968663	A	12/2018	WO	2017158068	A1	9/2017
CN	108968667	A	12/2018	WO	2017166317	A1	10/2017
CN	108968668	A	12/2018	WO	2017177007	A1	10/2017
CN	108968669	A	12/2018	WO	2017177423	A1	10/2017
CN	108991918	A	12/2018	WO	2017178229	A1	10/2017
CN	108991919	A	12/2018	WO	2017178650	A1	10/2017
CN	109008595	A	12/2018	WO	2017178739	A1	10/2017
CN	109008598	A	12/2018	WO	2017179804	A1	10/2017
CN	208259529	U	12/2018	WO	2017191377	A1	11/2017
CN	106562666	B	1/2019	WO	2017191395	A1	11/2017
CN	106606293	B	1/2019	WO	2017195777	A1	11/2017
CN	106724784	B	1/2019	WO	2017197482	A1	11/2017
CN	106820956	B	1/2019	WO	2017198815	A1	11/2017
CN	106820957	B	1/2019	WO	2017198848	A1	11/2017
CN	107019417	B	1/2019	WO	2017201530	A1	11/2017
CN	109247837	A	1/2019	WO	2017202641	A1	11/2017
CN	106388566	B	3/2019	WO	2017209465	A1	12/2017
CN	107174116	B	3/2019	WO	2017211045	A1	12/2017

WO	2017213330	A2	12/2017
WO	2017213423	A1	12/2017
WO	2017215926	A1	12/2017
WO	2017215988	A1	12/2017
WO	2018004226	A1	1/2018
WO	2018007218	A1	1/2018
WO	2018014806	A1	1/2018
WO	2018015695	A1	1/2018
WO	2017077571	A1	2/2018
WO	2018018670	A1	2/2018
WO	2018023863	A1	2/2018
WO	2018024781	A1	2/2018
WO	2018024782	A1	2/2018
WO	2018024783	A1	2/2018
WO	2018026041	A1	2/2018
WO	2018026906	A1	2/2018
WO	2018026928	A1	2/2018
WO	2018032540	A1	2/2018
WO	2018032541	A1	2/2018
WO	2018032542	A1	2/2018
WO	2018032589	A1	2/2018
WO	2018032648	A1	2/2018
WO	2018037177	A1	3/2018
WO	2018040250	A1	3/2018
WO	2018041536	A1	3/2018
WO	2018045643	A1	3/2018
WO	2018050520	A1	3/2018
WO	2018050838	A1	3/2018
WO	2018058384	A1	4/2018
WO	2018058569	A1	4/2018
WO	2018058740	A1	4/2018
WO	2018059994	A1	4/2018
WO	2018060260	A1	4/2018
WO	2018060273	A1	4/2018
WO	2018060331	A1	4/2018
WO	2018065424	A1	4/2018
WO	2018068376	A1	4/2018
WO	2018068425	A1	4/2018
WO	2018068976	A1	4/2018
WO	2018076164	A1	5/2018
WO	2018076166	A1	5/2018
WO	2018076415	A1	5/2018
WO	2018082131	A1	5/2018
WO	2018090287	A1	5/2018
WO	2018093004	A1	5/2018
WO	2018095247	A1	5/2018
WO	2018095420	A1	5/2018
WO	2018095949	A1	5/2018
WO	2018120561	A1	5/2018
WO	2017104893	A1	6/2018
WO	2018099233	A1	6/2018
WO	2018102128	A1	6/2018
WO	2018107522	A1	6/2018
WO	2018107973	A1	6/2018
WO	2018116056	A1	6/2018
WO	2018116057	A1	6/2018
WO	2018121166	A1	7/2018
WO	2018121199	A1	7/2018
WO	2018133993	A1	7/2018
WO	2018137832	A1	8/2018
WO	2018140954	A1	8/2018
WO	2018147640	A1	8/2018
WO	2018165698	A1	9/2018
WO	2018197720	A1	11/2018
WO	2018207221	A1	11/2018
WO	2018220659	A1	12/2018
WO	2018223713	A1	12/2018
WO	2019032876	A1	2/2019
WO	2019032878	A1	2/2019

OTHER PUBLICATIONS

DeLonghi, [online]; [retrieved on Mar. 18, 2019]; retrieved from the Internet <https://www.delonghi.com/en-us/products/kitchen/kitchen->

appliances/low-oil-fryer-and-multicooker/multifry-fh11631bk-0125392006?TabSegment=support#supportDeLonghi, “FH1163 FH1363 MultiFry”, DeLonghi Instruction Manual, www.delonghi.com, 5712511041/05.15, pp. 1-11.

Gill et al.; U.S. Appl. No. 16/059,876, filed Aug. 9, 2018; Cooking Device and Components Thereof.

Gill et al.; U.S. Appl. No. 16/059,874, filed Aug. 9, 2018; Cooking Device and Components Thereof.

Gill et al.; Design U.S. Appl. No. 29/653,847, filed Jun. 19, 2018; Air Diffuser and Air Diffuser With Food Preparation Pot.

Notification of Transmittal of the International Search Report of the International Searching Authority, or the Declaration. PCT/US2018/046077, dated Dec. 19, 2018, 7 pages.

Notification of Transmittal of the International Search Report of the International Searching Authority, or the Declaration; PCT/US2018/046079; dated Jan. 2, 2019, 7 pages.

Notification of Transmittal of the Written Opinion of the International Searching Authority, or the Declaration. PCT/US2018/046077, dated Dec. 19, 2018, 10 pages.

Notification of Transmittal of the Written Opinion of the International Searching Authority, or the Declaration; PCT/US2018/046079; dated Jan. 2, 2019, 10 pages.

WO2018122652A1; Jul. 5, 2018; English Abstract Only (3 Pages).

* cited by examiner

Primary Examiner — Ricky Pham

(74) *Attorney, Agent, or Firm* — Cantor Colburn LLP

(57)

CLAIM

The ornamental design for a user interface for a food preparation device, as shown and described.

DESCRIPTION

FIG. 1 is a perspective view of a user interface of a food preparation device, showing our new design in a first embodiment;

FIG. 2 is a front view of the embodiment shown in FIG. 1;

FIG. 3 is a rear view of the embodiment shown in FIG. 1;

FIG. 4 is side view of the embodiment shown in FIG. 1;

FIG. 5 is another side view of the embodiment shown in FIG. 1;

FIG. 6 is a top view of the embodiment shown in FIG. 1;

FIG. 7 is a bottom view of the embodiment shown in FIG. 1;

FIG. 8 is a perspective view of a user interface of a food preparation device, showing our new design in a second embodiment;

FIG. 9 is a front view of the embodiment shown in FIG. 8;

FIG. 10 is a rear view of the embodiment shown in FIG. 8;

FIG. 11 is side view of the embodiment shown in FIG. 8;

FIG. 12 is another side view of the embodiment shown in FIG. 8;

FIG. 13 is a top view of the embodiment shown in FIG. 8; and,

FIG. 14 is a bottom view of the embodiment shown in FIG. 8.

The broken lines in the figures are for environmental purposes only and form no part of the claimed design.

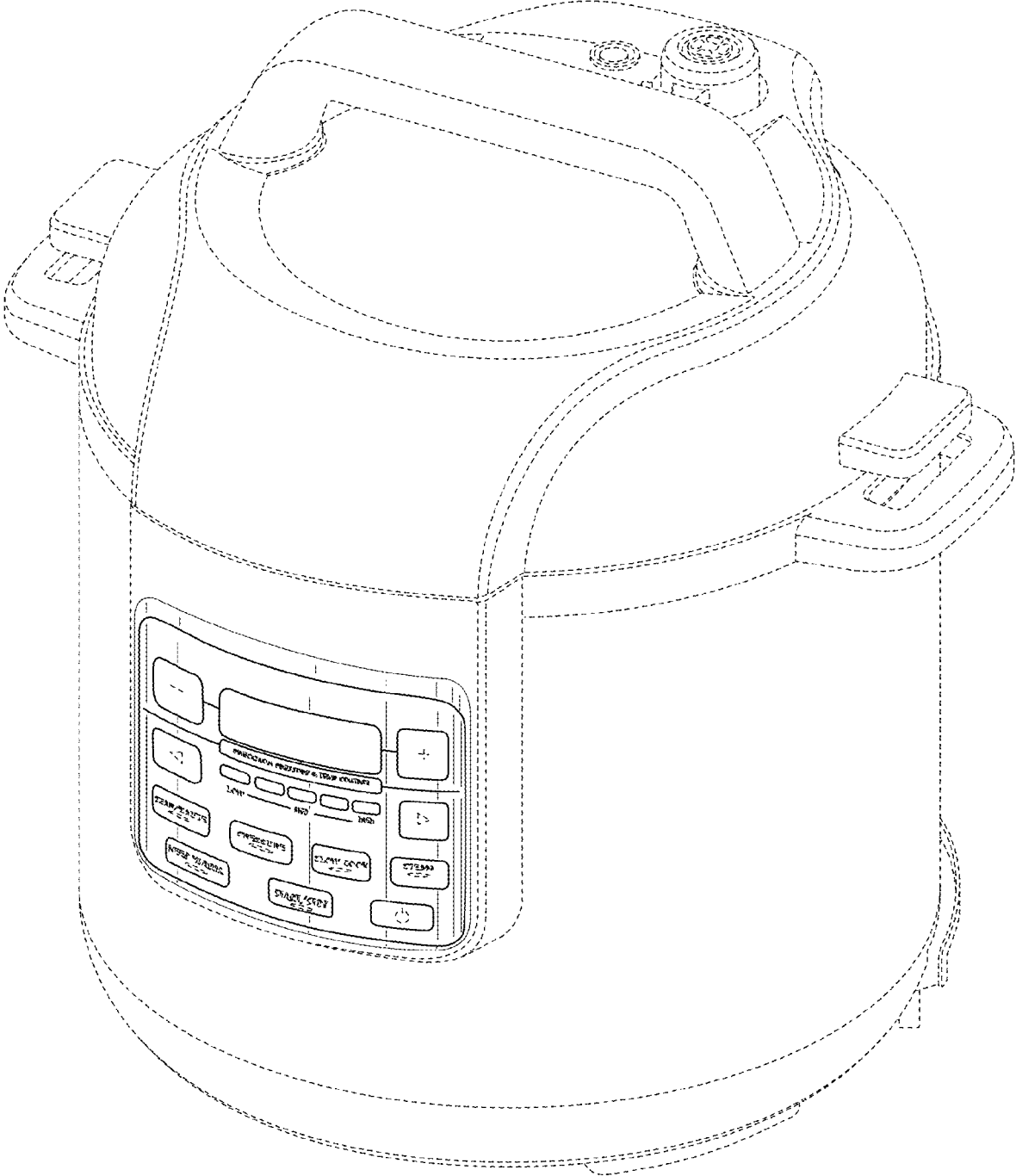


FIG. 1

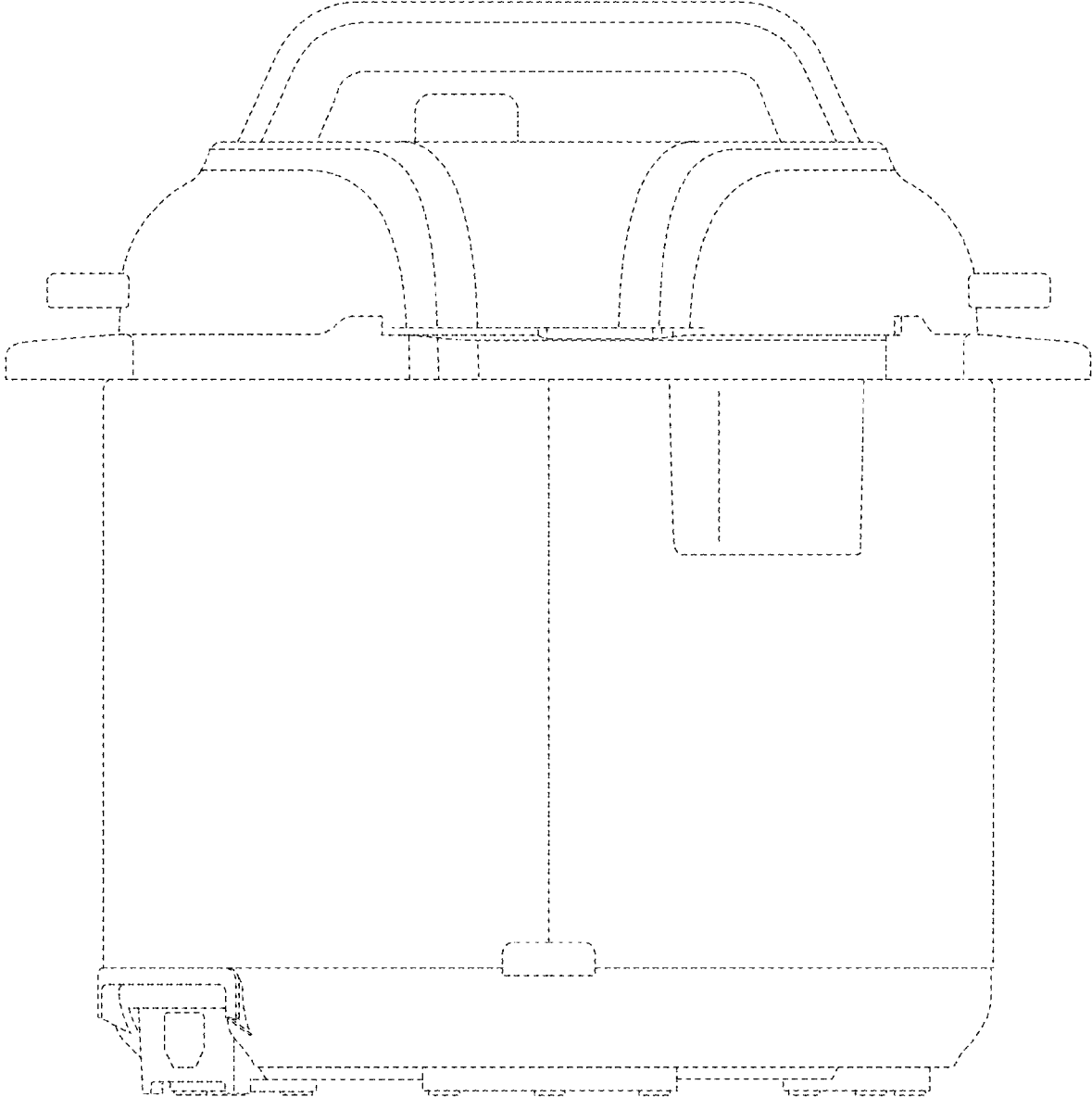


FIG. 2

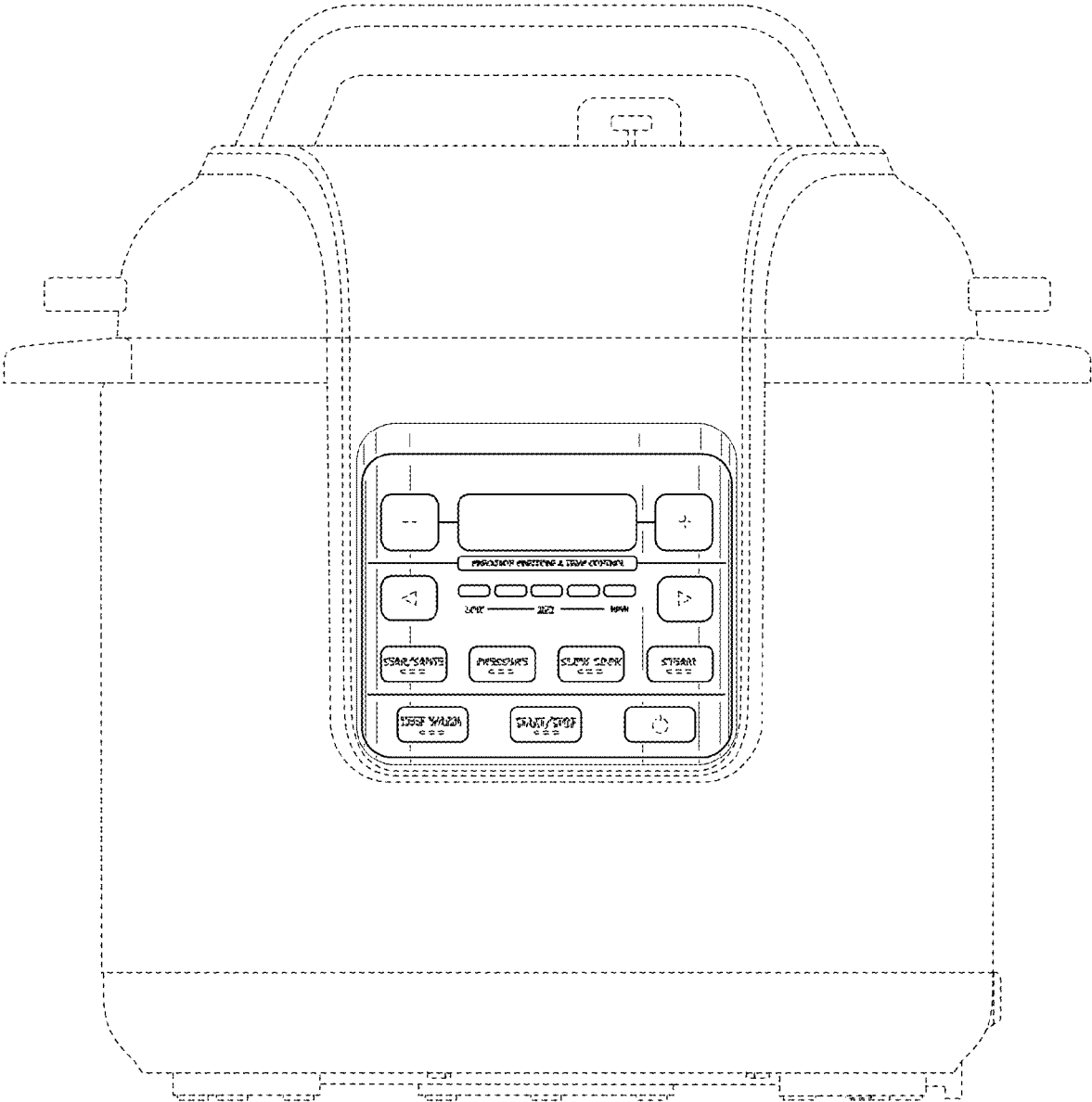


FIG. 3



FIG. 4

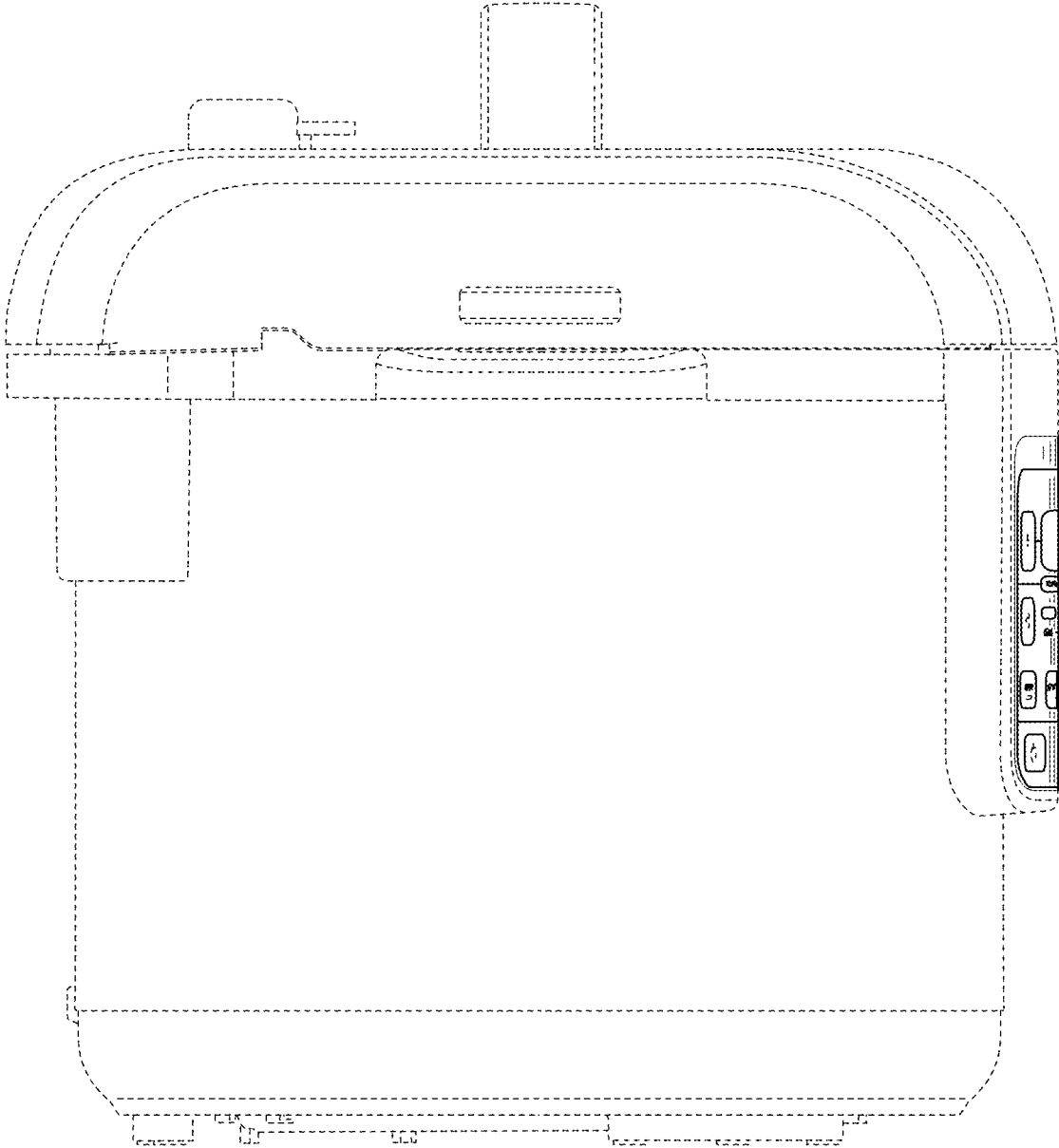


FIG. 5

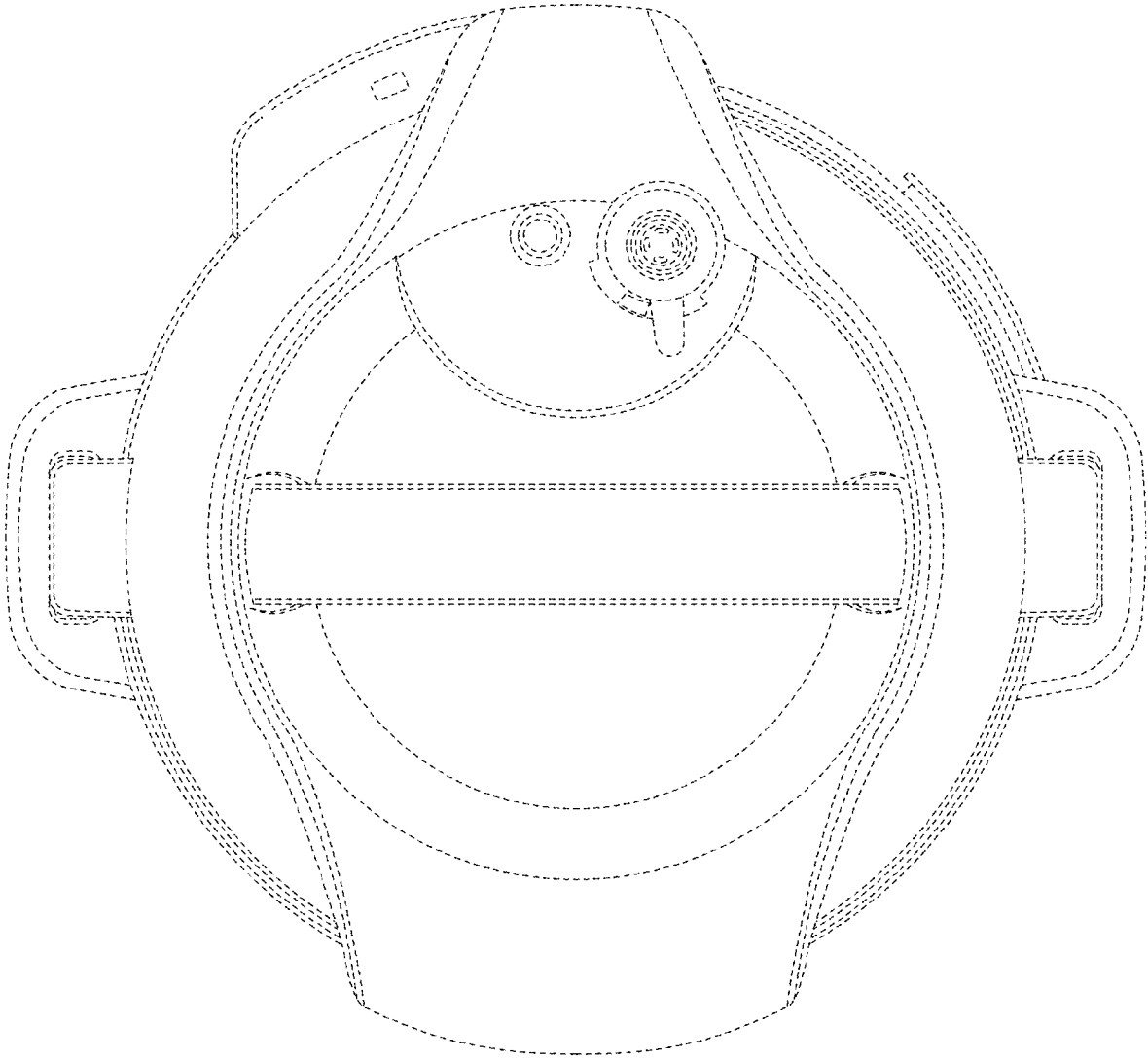


FIG. 6

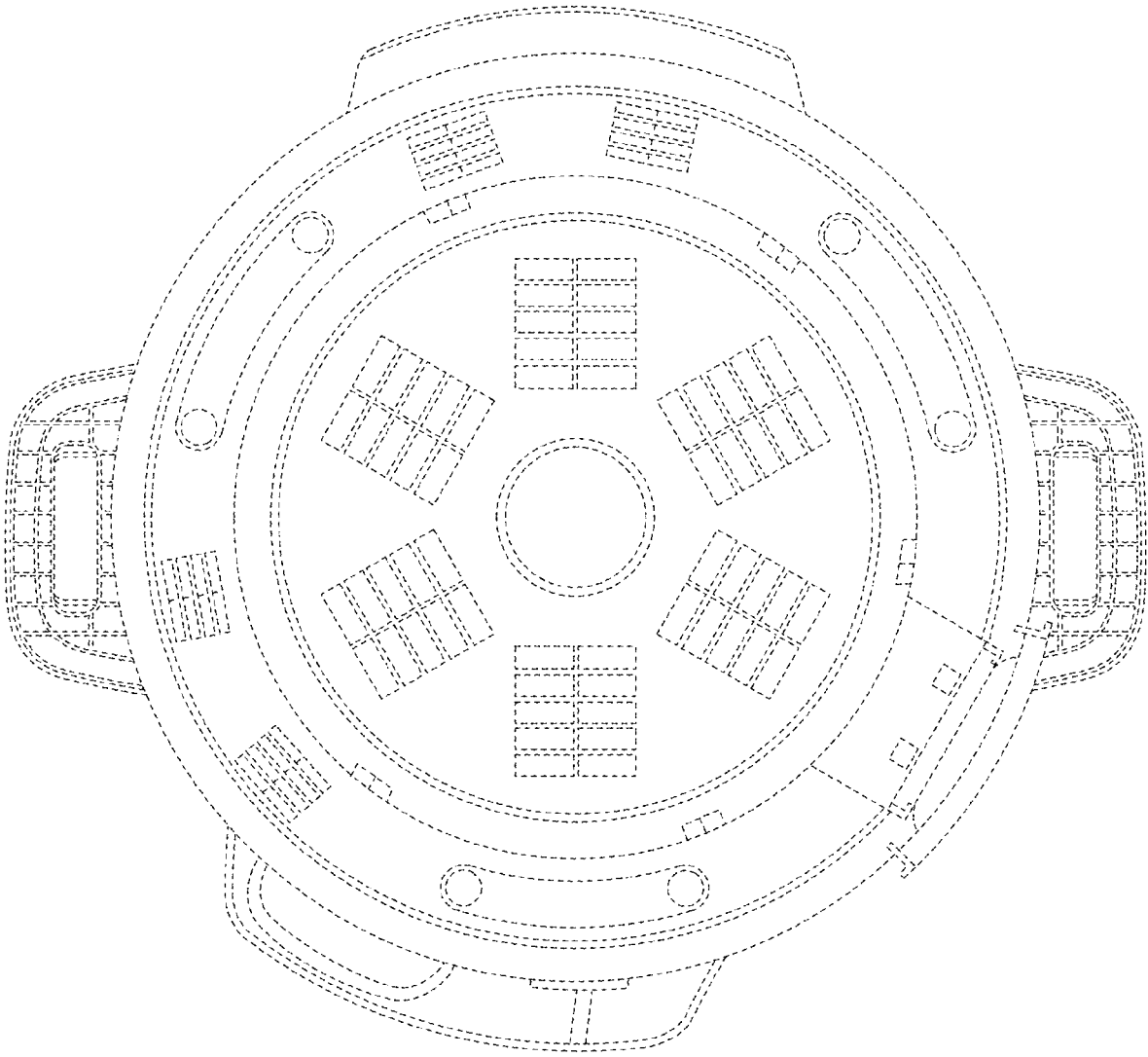


FIG. 7

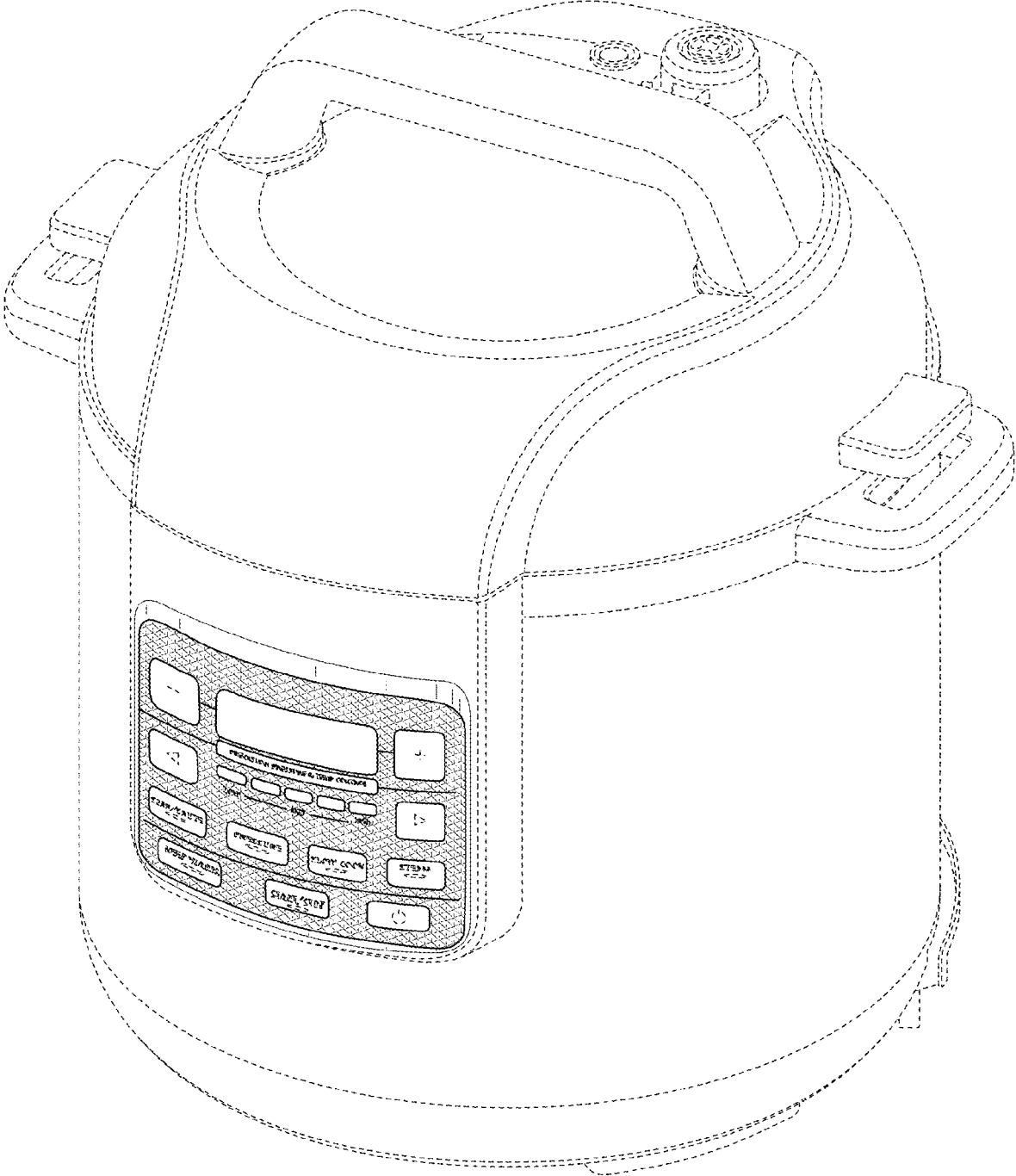


FIG. 8

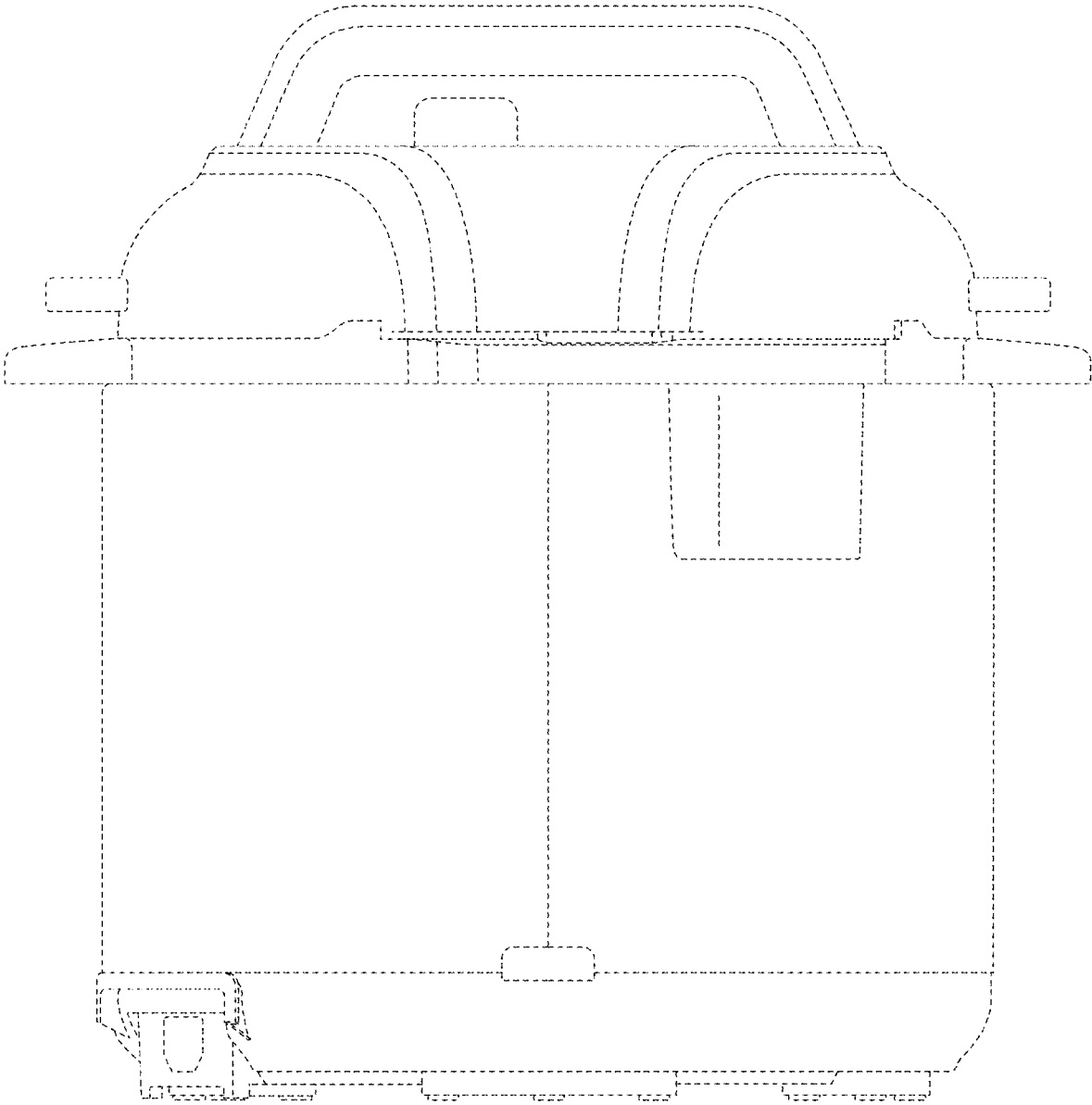


FIG. 9

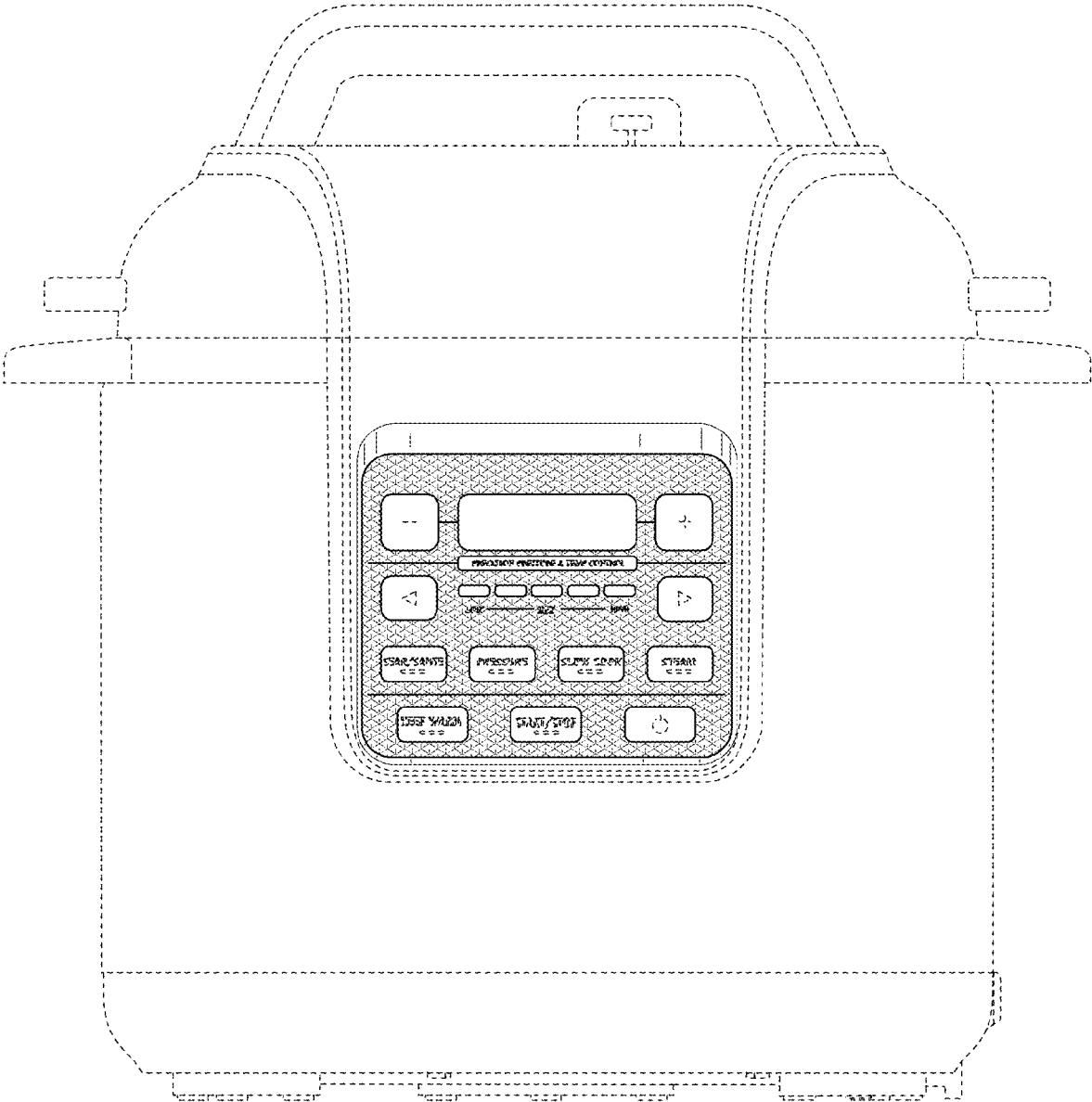


FIG. 10



FIG. 11

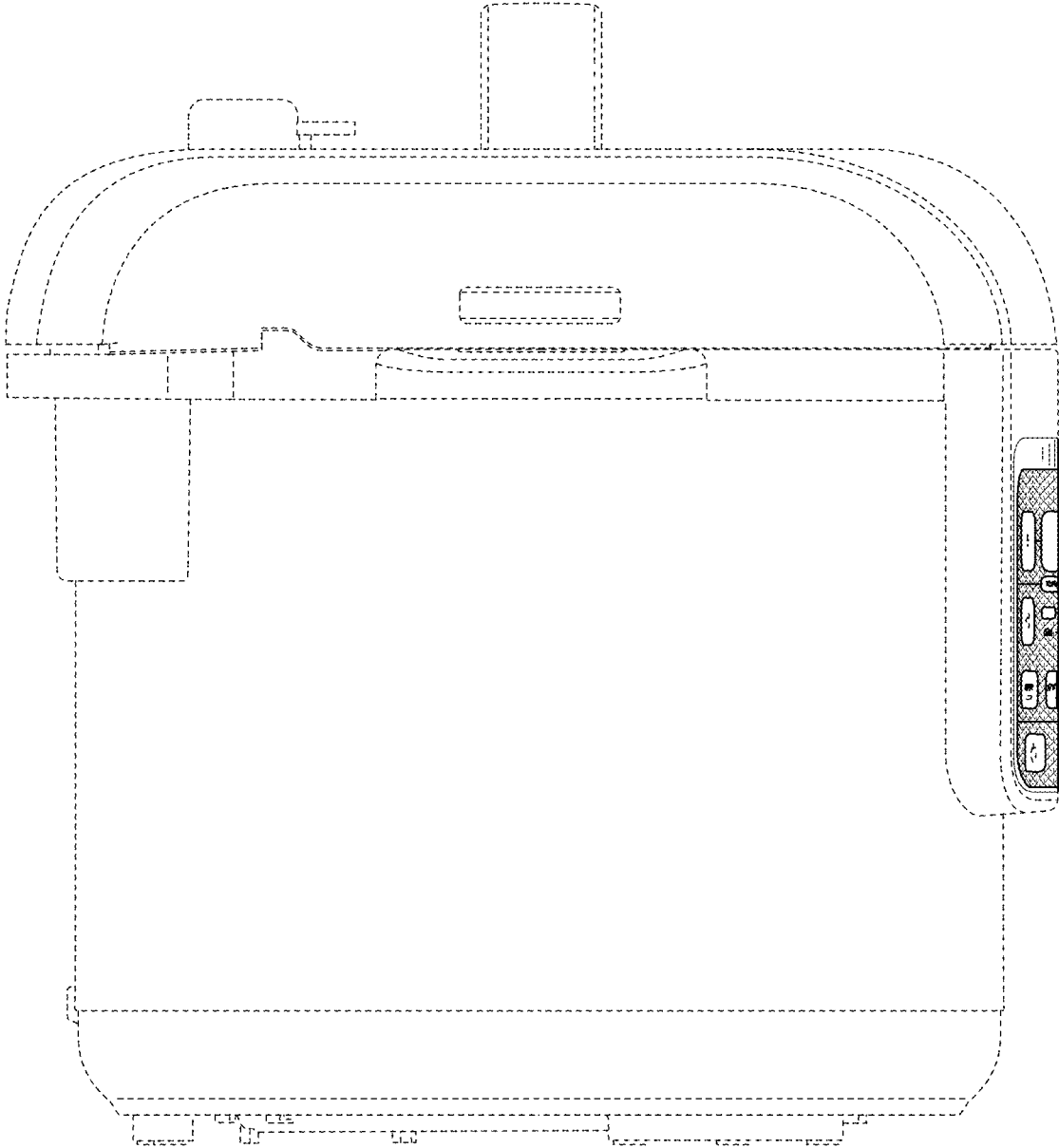


FIG. 12

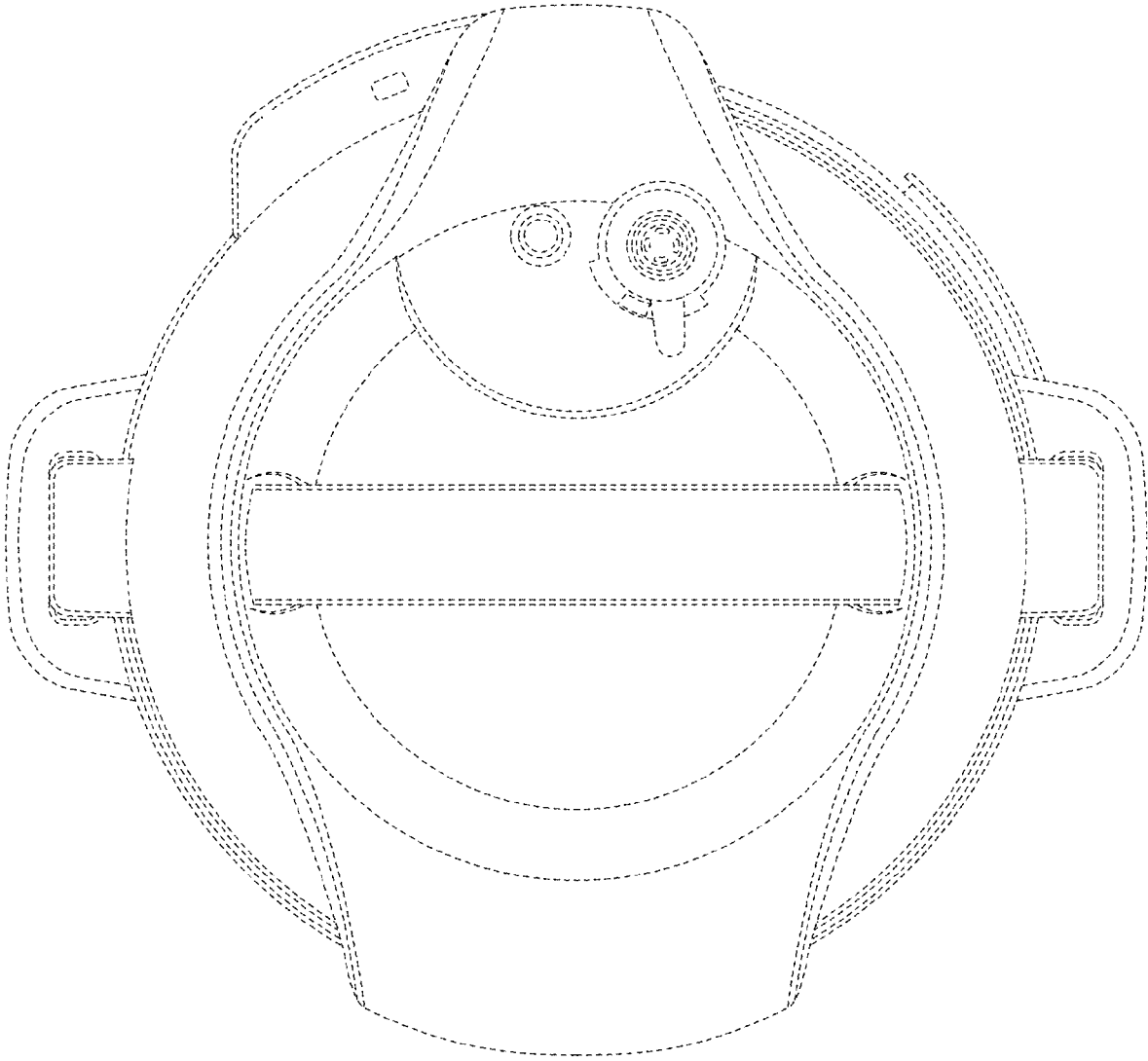


FIG. 13

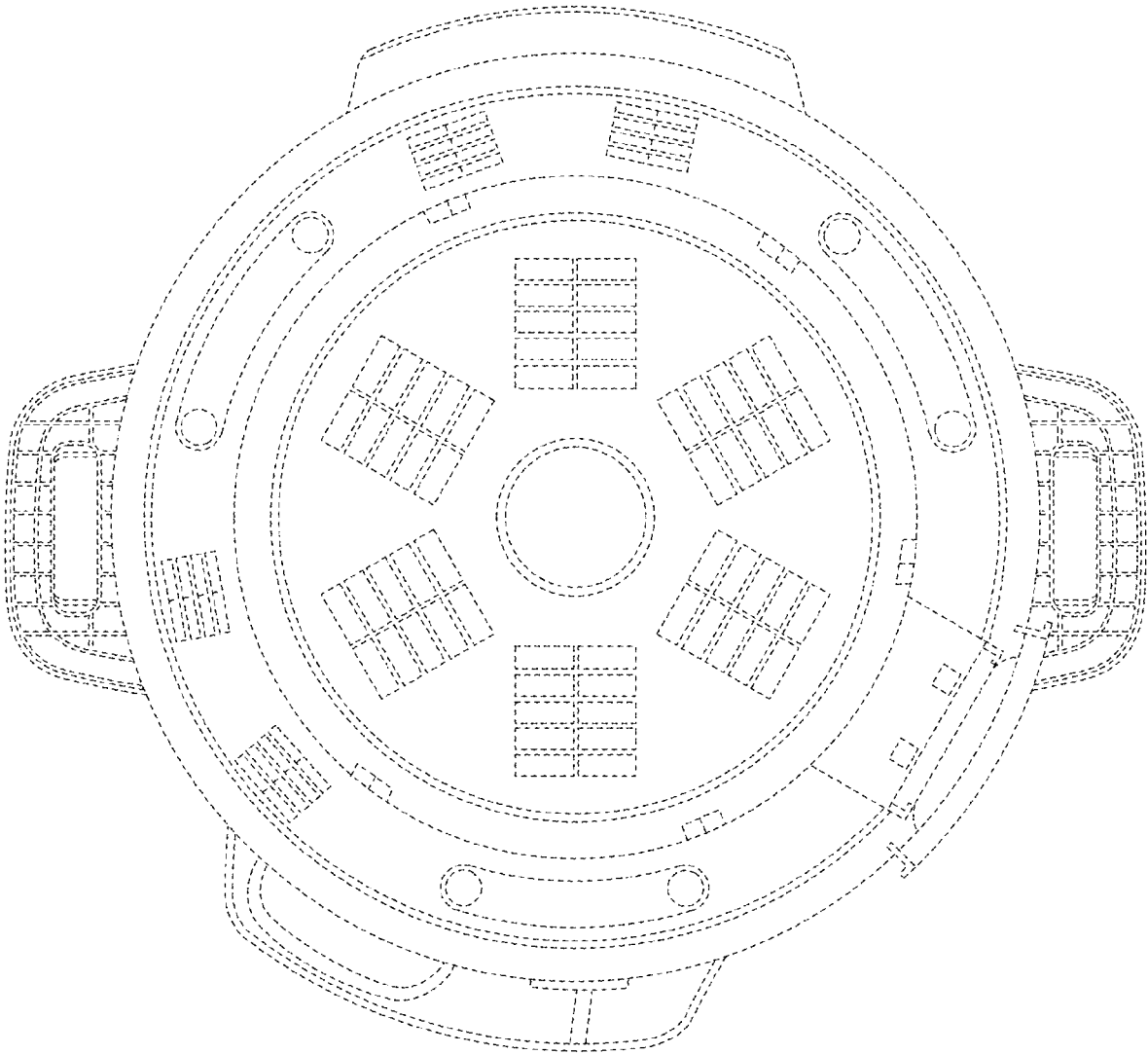


FIG. 14