



US00D512988S

(12) **United States Design Patent**
Green

(10) **Patent No.:** **US D512,988 S**

(45) **Date of Patent:** **** Dec. 20, 2005**

(54) **LOUDSPEAKER**

D461,792 S * 8/2002 Silverstein et al. D14/214
D462,065 S * 8/2002 Silverstein et al. D14/214
D471,894 S * 3/2003 Oikawa D14/214

(75) Inventor: **Seth N. Green**, Newton, MA (US)

* cited by examiner

(73) Assignee: **Bose Corporation**, Framingham, MA (US)

Primary Examiner—Nanda Bondade

(**) Term: **14 Years**

(74) *Attorney, Agent, or Firm*—Fish & Richardson P.C.

(21) Appl. No.: **29/194,011**

(57) **CLAIM**

(22) Filed: **Nov. 18, 2003**

The ornamental design for a loudspeaker, substantially as shown and described.

(51) **LOC (6) Cl.** **14-01**

DESCRIPTION

(52) **U.S. Cl.** **D14/214**

(58) **Field of Search** D14/204, 207,
D14/209–216, 356; 181/143–144, 147–148,
150, 157, 198–199, 151, 153; 381/300–302,
306, 333, 345, 361–364, 386–388

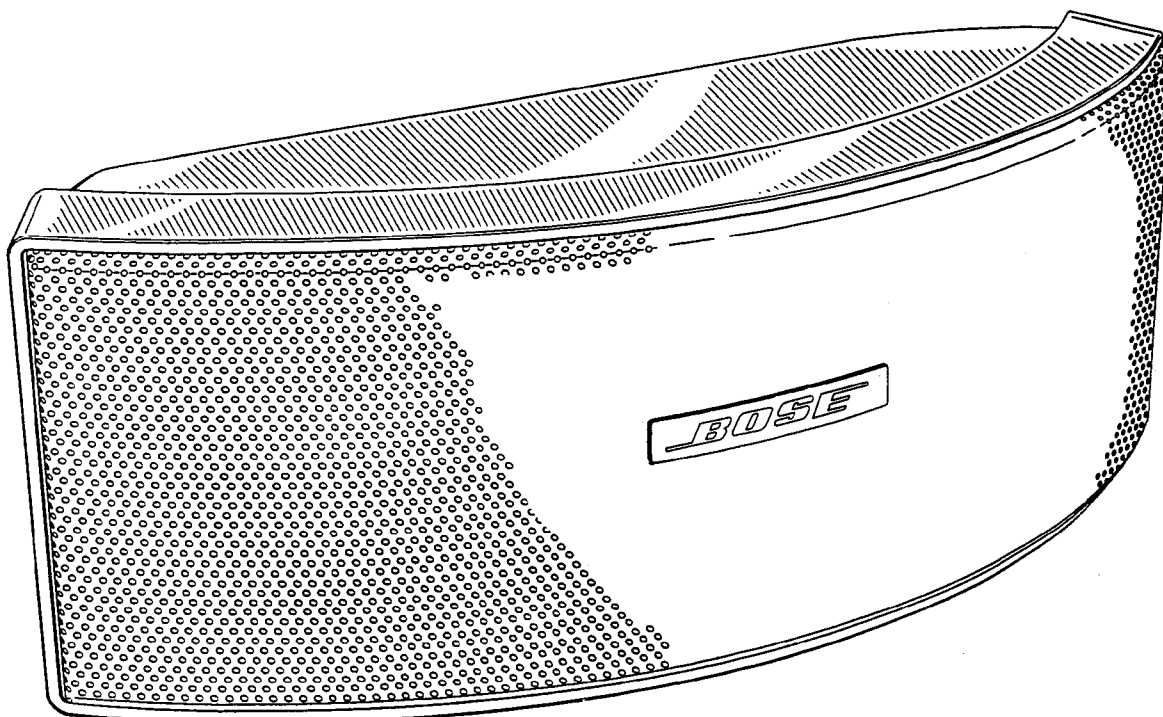
FIG. 1 is a front perspective view of the loudspeaker;
FIG. 2 is a front view thereof;
FIG. 3 is a rear view thereof;
FIG. 4 is a left side view thereof;
FIG. 5 is a right side view thereof;
FIG. 6 is a top view thereof;
FIG. 7 is a bottom view thereof; and,
FIG. 8 is a rear perspective view thereof.

(56) **References Cited**

U.S. PATENT DOCUMENTS

D397,116 S * 8/1998 Tatsumi D14/214
D442,942 S * 5/2001 Tsuge D14/214

1 Claim, 7 Drawing Sheets



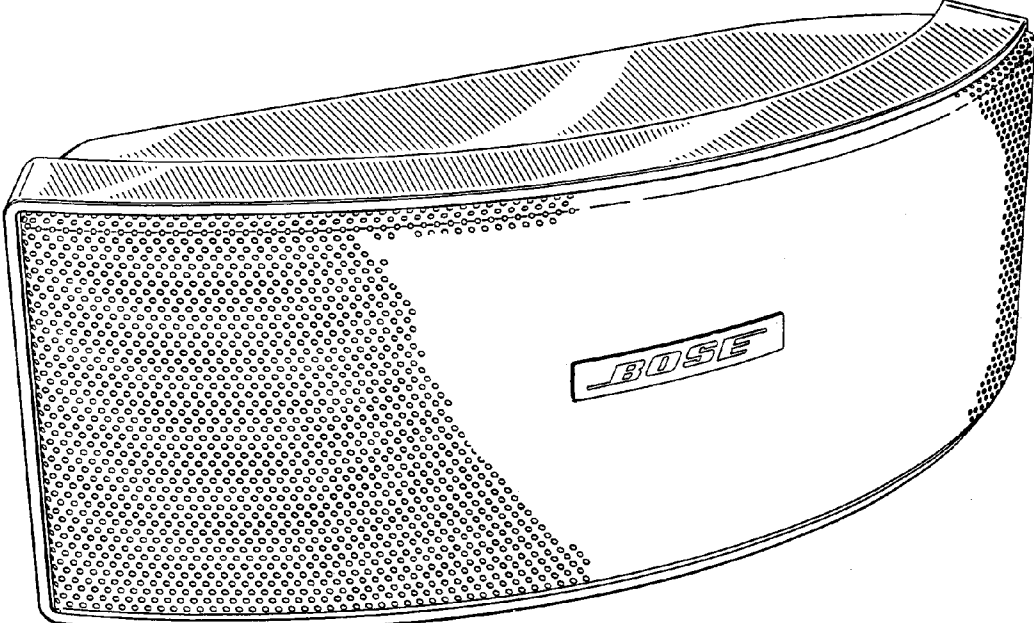


FIG. 1

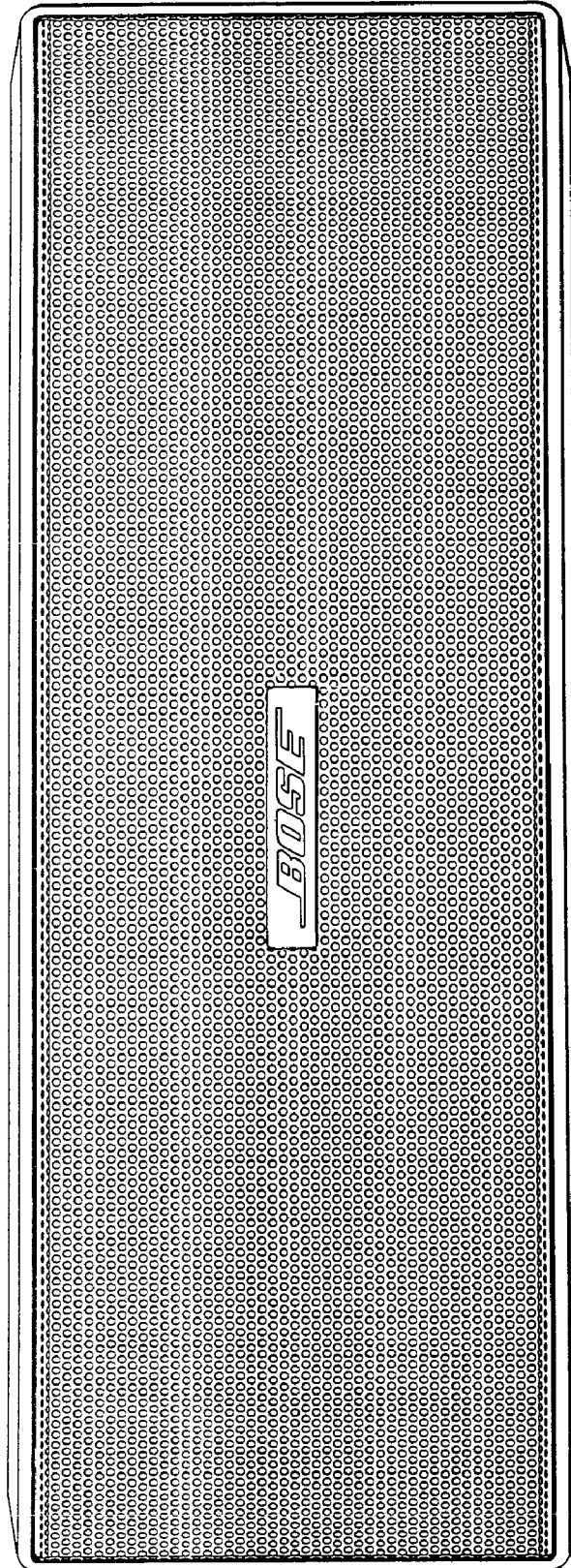


FIG. 2

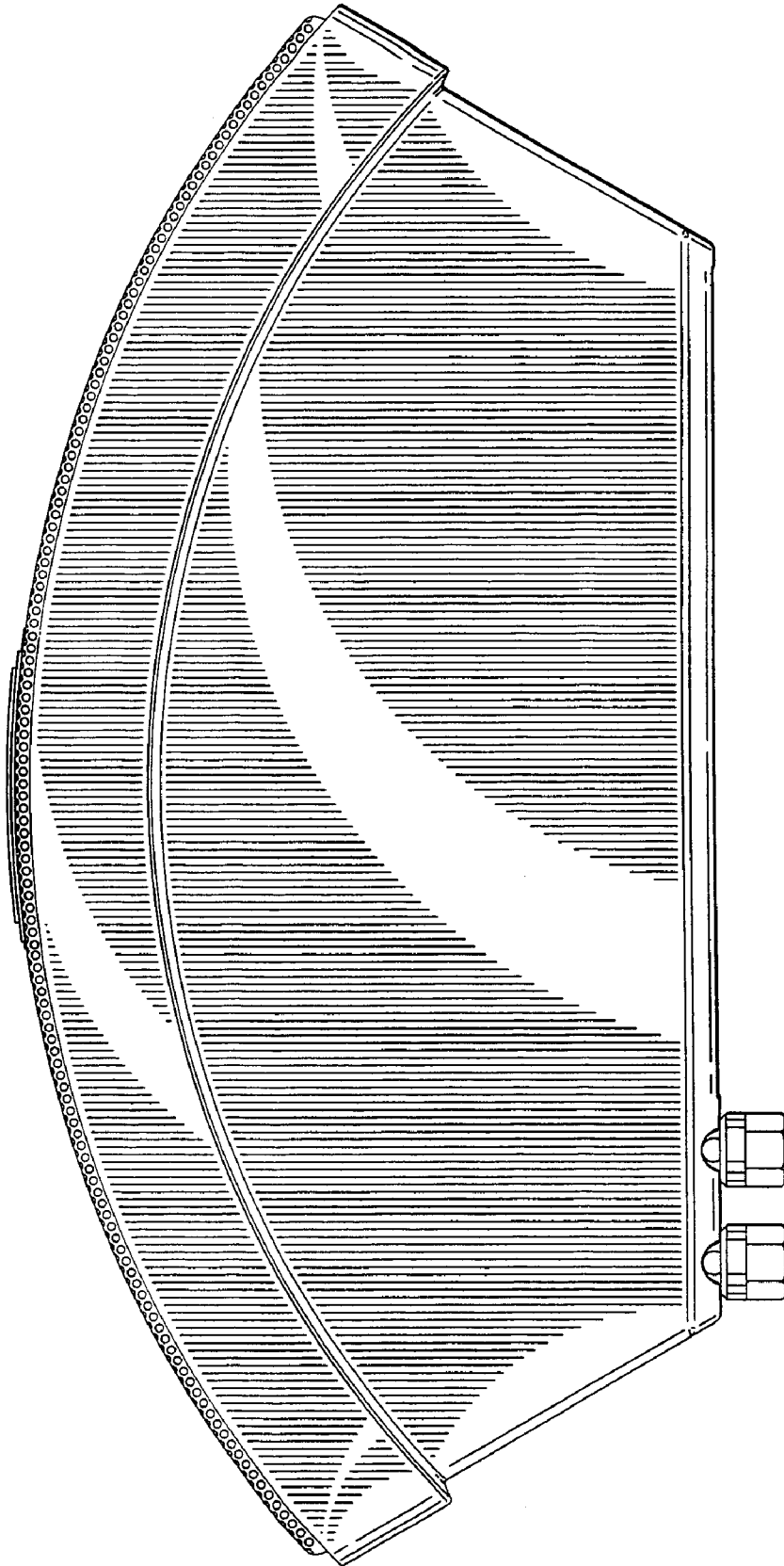


FIG. 3

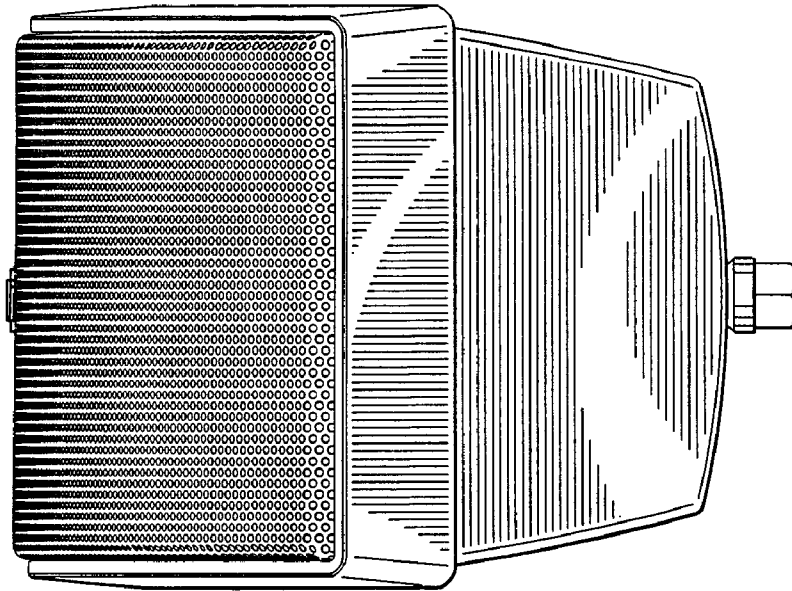


FIG. 4

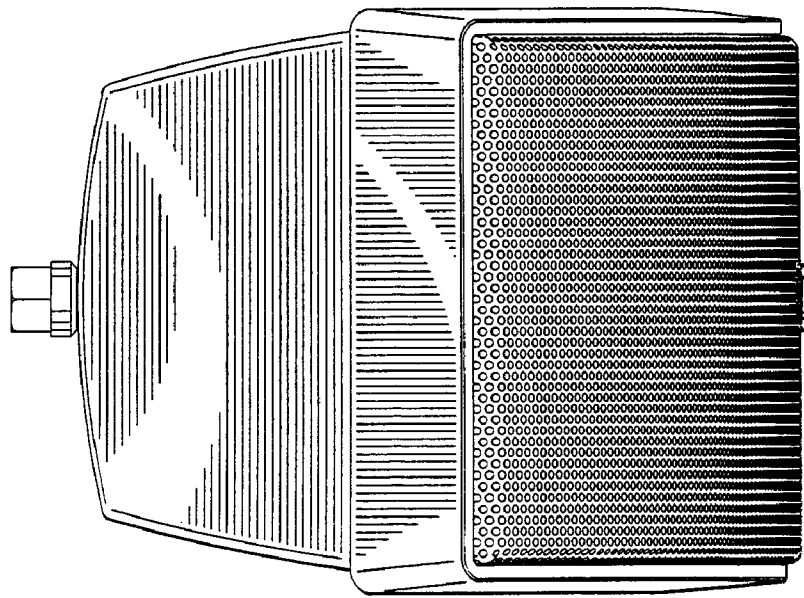


FIG. 5

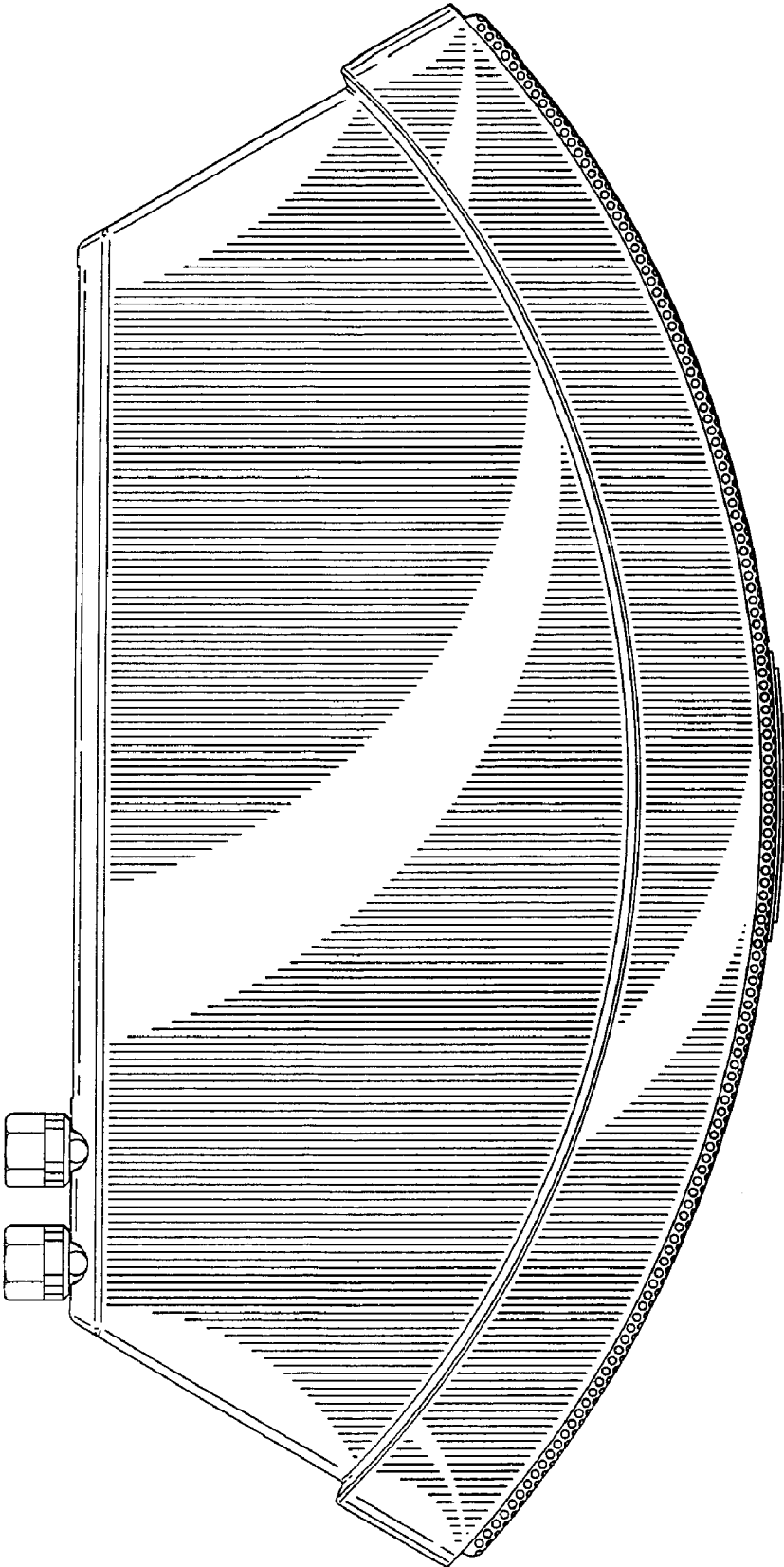


FIG. 6

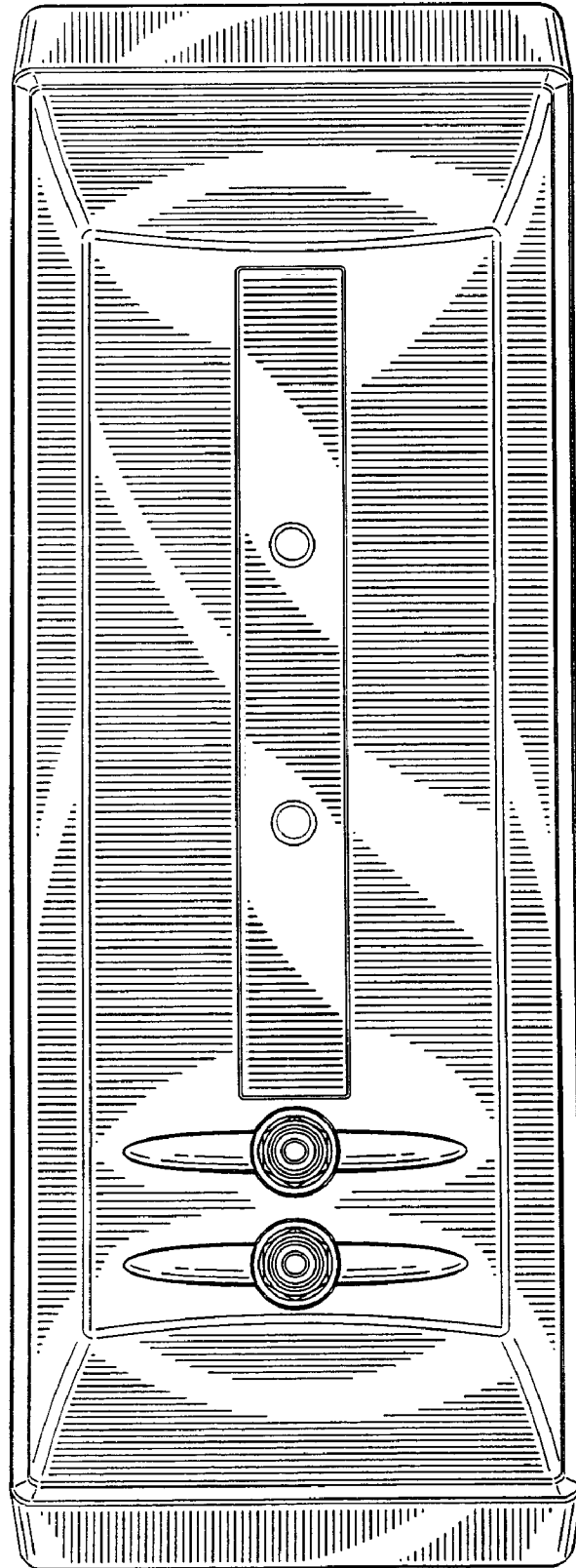


FIG. 7

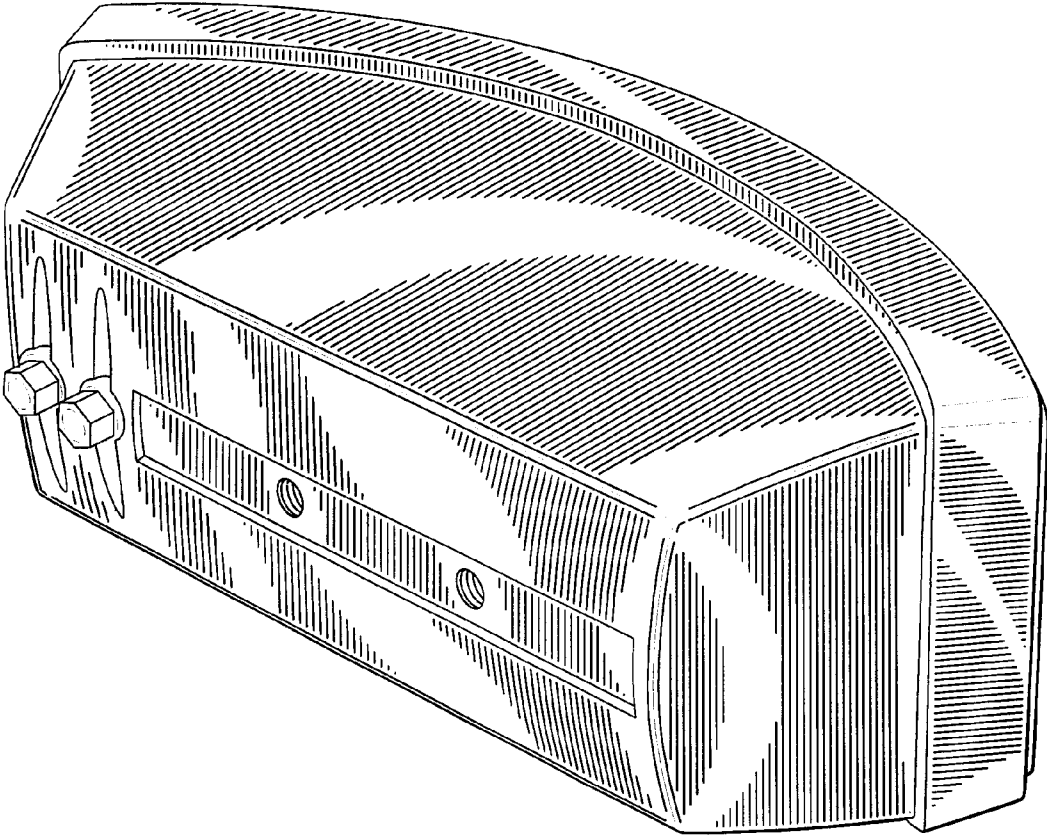


FIG. 8