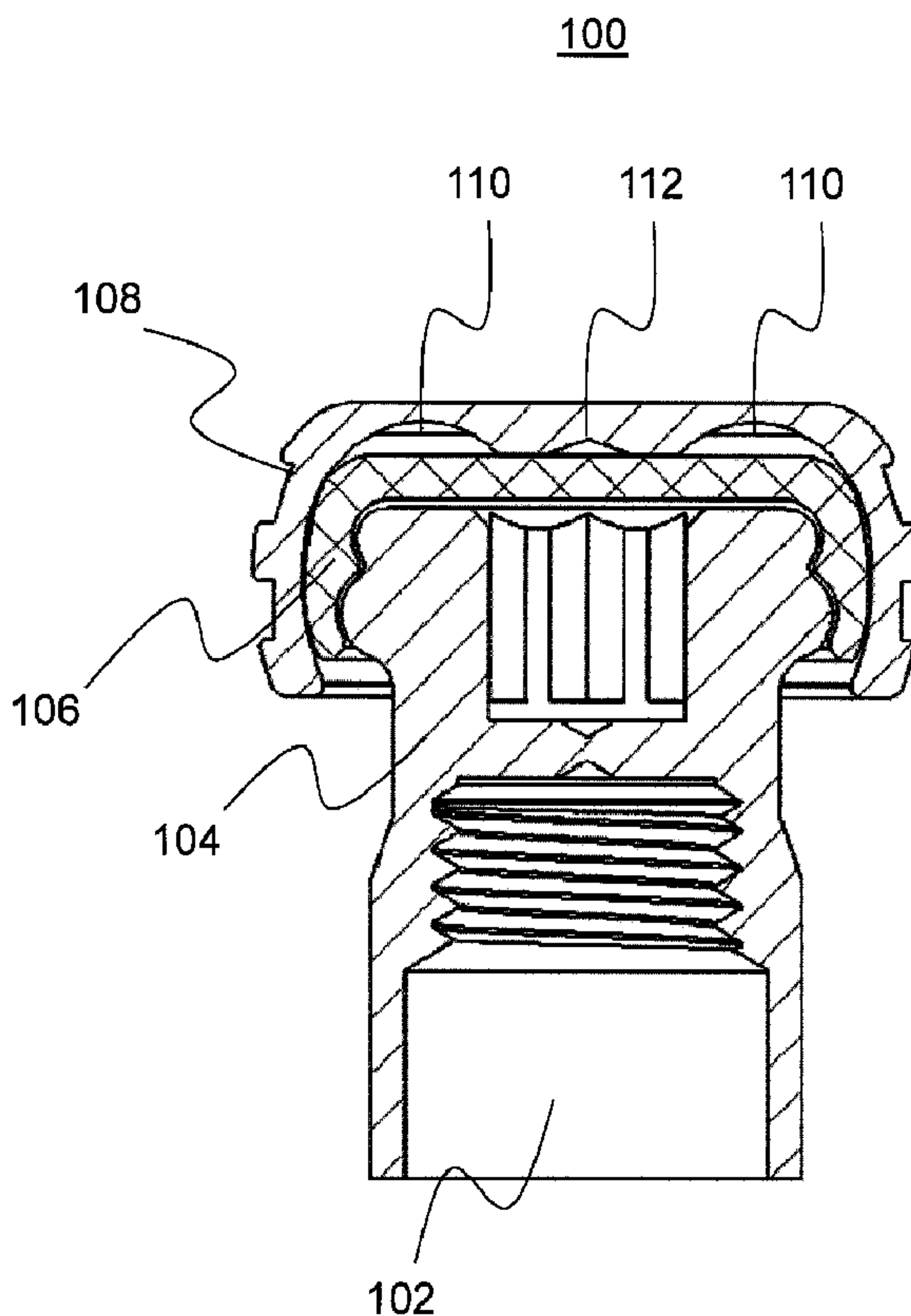




(86) Date de dépôt PCT/PCT Filing Date: 2015/06/05
 (87) Date publication PCT/PCT Publication Date: 2015/12/06
 (45) Date de délivrance/Issue Date: 2017/07/04
 (85) Entrée phase nationale/National Entry: 2015/11/30
 (86) N° demande PCT/PCT Application No.: US 2015/034561
 (30) Priorité/Priority: 2014/06/06 (US14/298,818)

(51) Cl.Int./Int.Cl. *A61C 13/103* (2006.01),
A61C 13/10 (2006.01), *A61C 8/00* (2006.01)
 (72) Inventeurs/Inventors:
 ALLEN, RICHARD ROBERT, US;
 GERVAIS, CHRISTOPHER MICHAEL, US
 (73) Propriétaire/Owner:
 ZEST IP HOLDINGS LLC, US
 (74) Agent: GOWLING WLG (CANADA) LLP

(54) Titre : CAPUCHON D'ENSEMBLE DE FIXATION DENTAIRE ET METHODE D'UTILISATION
 (54) Title: DENTAL ATTACHMENT ASSEMBLY CAP AND METHOD OF USE



(57) Abrégé/Abstract:

A dental attachment assembly and method anchors a dental appliance with an implant and has an abutment member attached to the implant, a retention member in releasable snap engagement with the abutment member, and a cap secured in a recess of the

(57) **Abrégé(suite)/Abstract(continued):**

dental appliance and in releasable swivel engagement with the retention member to position and secure the dental appliance onto the implant. The cap includes a cavity with a rounded, concave inner surface which engages with the retention member, an interior top surface of the cavity with a concave recess extending radially along an outer periphery of the interior top surface of the cavity to allow for rotation of the retention member within the cap. A central portion of the interior top surface of the cavity surrounded by the concave recess therefore protrudes vertically into the cavity to minimize vertical displacement of the retention member as it rotates.

ABSTRACT

A dental attachment assembly and method anchors a dental appliance with an implant and has an abutment member attached to the implant, a retention member in releasable snap engagement with the abutment member, and a cap secured in a recess of the dental appliance and in releasable swivel engagement with the retention member to position and secure the dental appliance onto the implant. The cap includes a cavity with a rounded, concave inner surface which engages with the retention member, an interior top surface of the cavity with a concave recess extending radially along an outer periphery of the interior top surface of the cavity to allow for rotation of the retention member within the cap. A central portion of the interior top surface of the cavity surrounded by the concave recess therefore protrudes vertically into the cavity to minimize vertical displacement of the retention member as it rotates.

DENTAL ATTACHMENT ASSEMBLY CAP AND METHOD OF USE

BACKGROUND

Field of the Invention

[01] Devices and methods provided herein relate to a dental attachment assembly for anchoring a dental appliance with a base structure such as a dental implant, and more specifically to an attachment assembly with a cap for positioning and retaining the dental appliance.

Related Art

[02] Dental anchoring assemblies are known in which a female part is provided for attachment to a root, implant, or adjacent tooth, and a male part is engaged in a recess in a dental appliance, the male and female parts having mating, snap engageable formations for releasably securing the male part to the female part. For example, in U.S. Pat. No. 5,417,570, to Zuest, the female part has a socket and the male part has a head for snap engagement in the socket. However, users may find it difficult to properly locate the male head in the female socket, such that the head may hit the periphery of the socket in some cases. Repeated impacts of this nature may damage the retentive head of the male, causing it to lose some of its retention ability.

[03] U.S. Pat. Nos. 6,030,219 and 6,299,447 of Zuest et al. describe dental attachment assemblies in which the male part has a skirt for snap engagement over an outer locating surface of the female or abutment member. The male part may also have a central stem for snap engagement in a socket in the female part, providing both inner and outer retention surfaces, and therefore increased retention force. It is also easier to locate the male part properly over the female part.

[04] U.S. Pat. No. 6,981,871, to Zuest describes an outer locating surface that has at least two axially spaced retention surfaces for mating, snap engagement with corresponding spaced snap engagement formations on the inner surface of a cap secured in a dental appliance to provide a stacked, external retention between the abutment and retention members.

[05] However, it is desirable to not only improve the retention of the components of the dental attachment assemblies but to also improve their adjustability.

SUMMARY

[06] Embodiments described herein provide for a dental attachment assembly and method which anchors a dental appliance with an implant or other base structure, the dental attachment assembly including an abutment member attached to the implant or base structure, a retention member in releasable snap engagement with the abutment member, and a cap secured in a recess of the dental appliance and configured in releasable swivel engagement with the retention member to position and secure the dental appliance onto the implant. The cap includes a cavity with a rounded, concave inner surface which engages with the retention member, and an interior top surface of the cavity with a concave recess extending radially along an outer periphery of the interior top surface of the cavity to allow for rotation of the retention member within the cap. A central portion of the interior top surface of the cavity surrounded by the concave recess therefore protrudes vertically into the cavity to minimize vertical displacement of the retention member as it rotates within the cap.

[07] In one embodiment, a cap of a dental attachment assembly comprises an outer surface shaped to engage with a recess in a dental appliance; a rounded, concave inner surface defining a cavity to receive a swivel engagement with a retention member; and an interior top surface of the cavity with a concave recess extending radially along an outer periphery of the interior top surface of the cavity.

[08] In a further embodiment, a dental attachment assembly comprises an abutment member with a first end shaped to attach to a tooth root, implant or adjacent tooth, and a second end with an outer locating surface; a retention member having a first end and a skirt extending from the first end defining an inner surface for engagement over the outer locating surface of the abutment member; and a cap with a rounded, concave inner surface defining a cavity to receive a swivel engagement with the retention member; wherein an interior top surface of the cavity includes a concave recess extending radially along an outer periphery of the interior top surface of the cavity.

[09] Other features and advantages of the present invention will become more readily apparent to those of ordinary skill in the art after reviewing the following detailed description and accompanying drawings.

BRIEF DESCRIPTION OF THE DRAWINGS

[10] The structure and operation of the present invention will be understood from a review of the following detailed description and the accompanying drawings in which like reference numerals refer to like parts and in which:

[11] FIG. 1A is a side cutout view of a dental attachment assembly, according to an embodiment of the invention;

[12] FIG. 1B is an isometric view illustration of the cap of the dental attachment assembly, according to one embodiment of the invention;

[13] FIG. 1C is an isometric cutout view illustration of the cap of the dental attachment assembly, according to one embodiment of the invention;

[14] FIG. 2 is a side cutout view illustration of a cap and retention member of the dental attachment assembly, according to an embodiment of the invention;

[15] FIG. 3 is a side cutout view illustration of the cap illustrating consecutive tangent circle arcs which are used to create an angle of a concave recess on an interior wall of the cap, according to an embodiment of the invention;

[16] FIG. 4 is a side cutout view illustration of the cap illustrating an angle of the concave recess, according to an embodiment of the invention;

[17] FIG. 5 is a side cutout view of a dental attachment assembly in a fully swiveled position, according to an embodiment of the invention;

[18] FIG. 6 is a side cutout view illustration of a progression of the retention member swiveling from an un-swiveled position to a fully swiveled position, according to an embodiment of the invention;

[19] FIG. 7 is a side view illustration of the dental attachment assembly in a fully swiveled position, according to an embodiment of the invention;

[20] FIG. 8 is a side cutout view illustration of the cap and an alternate design of the retention member and an alternate design of an abutment, according to an embodiment of the invention;

[21] FIG. 9 is a side cutout view illustration of the cap and an alternate design of the retention member and an abutment, according to an embodiment of the invention;

[22] FIGS. 10A and 10B are side-by-side comparisons of diameters of circles which define an outer surface of two configurations of the retention members, according to an embodiment of the invention;

[23] FIG. 11 is a side cutout view illustration of a different-sized configuration of the dental attachment assembly, according to an embodiment of the invention;

[24] FIG. 12 is a side view illustration of the different-sized configuration of the dental attachment assembly in a fully swiveled position, according to an embodiment of the invention;

[25] FIG. 13 is a flow diagram illustrating an example process for anchoring a dental appliance in a patient's mouth, according to an embodiment of the invention;

[26] FIG. 14 is a side view illustration of the dental attachment assembly after securing the dental appliance in a patient's mouth, according to an embodiment of the invention; and

[27] FIG. 15 is a side view illustration of the process of anchoring the cap and retention member onto the abutment of the dental attachment assembly, according to an embodiment of the invention.

DETAILED DESCRIPTION

[28] Certain embodiments disclosed herein provide for a dental attachment assembly and method which anchors a dental appliance with an implant or other base structure, the dental attachment assembly including an abutment member attached to the implant or base structure, a retention member in releasable snap engagement with the abutment member, and a cap secured in a recess of the dental appliance and configured in releasable swivel engagement with the retention member to position and secure the dental appliance onto the implant. The cap includes a cavity with a rounded, concave inner surface which engages with the retention member, and an interior top surface of the cavity with a concave recess extending radially along an outer periphery of the interior top surface of the cavity to allow for the retention member to swivel within the cap. A central portion of the

interior top surface of the cavity surrounded by the concave recess therefore protrudes vertically into the cavity to minimize vertical displacement of the retention member as it rotates within the cap.

[29] After reading this description it will become apparent to one skilled in the art how to implement the invention in various alternative embodiments and alternative applications. However, although various embodiments of the present invention will be described herein, it is understood that these embodiments are presented by way of example only, and not limitation. As such, this detailed description of various alternative embodiments should not be construed to limit the scope or breadth of the present invention as set forth in the appended claims.

[30] The dental attachment assembly described herein simplifies the process of attaching a dental appliance to a base structure such as an implant by providing greater flexibility and movement of the dental attachment assembly as the assembly is being positioned onto the implant. The creation of a concave recess extending radially along an outer periphery of the interior top surface of the cavity allows the retention element to rotate or swivel within the cap at a greater angle, which increases the allowable angle correction at which the assembly can be fitted onto the abutment while limiting vertical displacement of the retention element. There are many anatomical conditions that dictate implants be placed at various angulations which exceed the angle correction capabilities of current prosthetic options. This improved cap and assembly provides greater ease of use when positioning and adjusting a dental appliance in a person's mouth.

A. Dental Attachment Assembly

[31] FIG. 1A illustrates one embodiment of the dental attachment assembly **100** attached with an implant **102** that may be anchored to a bone or other base structure (not shown) such as a tooth root. An abutment **104** of the dental attachment assembly **100** is attached to one end of the implant **102** such that the abutment **104** is visible above the tissue typically surrounding the implant **102**. A retention member **106** is then connected with a top portion of the abutment **104** via a releasable snap engagement or other retention means described below. A cap **108** with a rounded, concave inner surface defining a cavity is then fitted in swivel engagement over the retention member **106** to allow the cap **108** to swivel with respect to the retention

member **106** and abutment **104**. The cap **108** is secured in a recess of a dental appliance (as shown in FIG. 14 and 15) such that the cap **108** retains the retention member **106** which engages with the abutment **104** when the dental appliance is being fitted onto the abutment. The engagement of the cap **108** with the retention member **106** defines a swivel joint which permits the cap **108** and thus the dental appliance to swivel with respect to the retention member **106**, abutment **104** and implant **102**.

[32] As shown in FIG. 1A and more clearly in the isometric views in FIG. 1B and FIG. 1C, in one embodiment, an interior top surface of the cap **108** is configured with a concave recess **110** extending radially along an outer periphery of the interior top surface of the cavity. The concave recess **110** allows the cap **108** to swivel at a much greater angle with respect to the retention member **106** and abutment **104**, which makes it easier for a person to secure the dental appliance onto the abutment **104**. A central portion **112** of the interior top surface of the cap **108** protrudes vertically into the cap cavity and minimizes vertical displacement between the retention member **106** and the cap **108** that would have occurred without the presence of the central portion **112**. In this exemplary embodiment, the cap is approximately 1.9 millimeters in height, although one of skill in the art will appreciate that the dimensions of the cap may vary.

[33] In the embodiment illustrated in FIG. 1A, the retention member **106** is retained by a skirt (or side wall) that projects from one end of the cap **108** for releasable engagement of the retention member **106** with the cap **108**, as disclosed in U.S. Pat. 6,981,871. The outer locating surface of the abutment **104** has at least two axially spaced retention surfaces for mating, snap engagement with corresponding spaced snap engagement formations on the inner surface of the retention member **106**, to provide a stacked, external retention between the abutment **104** and retention member **106**.

B. Cap Design

[34] FIG. 2 illustrates a side cutout view of the cap **108** and retention member **106** in a non-swiveled position, which more clearly illustrates how the retention member **106** fits within the cavity of the cap **108** when no swiveling has occurred. The retention member **106** is in contact with the central portion **112** of the interior top

surface of the cap **108**. Outer side walls of the retention member **106** are generally curved to match the curved surface of the inner side walls of the cap **108**, and they may be in direct contact at a portion of the side walls at any one position to allow for ease of swivel without an excessive amount of friction.

[35] In one embodiment, the concave recess **110** is specifically designed with a curvature **114** which may be formed using a series of consecutive tangent circular arcs formed from multiple circles of varying radii, as illustrated in **FIG. 3** and **FIG. 4**. In the embodiment illustrated herein, circles **A**, **B**, and **C** represent portions of the tangent circular arcs used to derive the curve **114**, although any plurality of circles may be used. The circles **A**, **B**, and **C** are arranged from large-to-small diameter from a bottom portion **108B** of the cap to a top portion **108A** of the cap to form the varying angles of the curve **114**. As illustrated in **FIG. 5**, the curve **114** is designed to optimize the swivel of the cap **108** around the retention member **106** while maintaining engagement of the retention member **106** within the cap **108**. Varying diameters of each of the circles may be used as long as the diameters are arranged from large-to-small from a bottom-to-top direction along the interior side wall of the cap. In the exemplary embodiment of **FIG. 3**, the concave recess **110** is formed from circles **A**, **B**, and **C** with diameters of 0.067, 0.083 and 0.186 inches, respectively. Circle **C** has a diameter which intersects the concave recess **110** on an opposing side of the cap, which therefore defines the diameter of the cap cavity. Each curvature of each circle intersects with a different portion of the concave recess **110** to form a curved surface **114** of varying degrees of curvature, as shown in **FIG. 4**. In this embodiment, the curve **114** is formed from circles with radii values of 0.34, 0.42 and 0.93 inches at various points along the curve, which correspond to the diameters in the example provided above.

[36] **FIG. 5** illustrates one embodiment of the retention member **106** and abutment **104** in a fully swiveled position within the cap **108**, where a portion of the retention member **106** has swiveled into the concave recess **110** in the cap **108**. The opposing side of the retention member **106** has swiveled downward to the point that it is still retained within the cap **108**, which illustrates the complete range of swivel of the cap **108** in one direction. In this embodiment, the range of swivel **S** is approximately 30 degrees with a cap having a diameter **D** of approximately 5.4

millimeters (mm) and a height **H** of approximately 2.3 mm, although one of skill in the art will appreciate that these dimensions may be varied and still achieve the same degree of rotation. The range of rotation may reasonably extend to approximately 32 degrees and could be extended up to approximately 40 degrees if the dimensions of the cap, retention member and abutment are altered to allow for greater rotation – for example by increasing the height of the cap and reducing the diameter of the abutment.

[37] **FIG. 6** illustrates a series of drawings of the cap **108** and retention member **106** as the retention member **106** begins to swivel from a non-swiveled position to a fully-swiveled position, and **FIG. 7** illustrates a side view illustration of the complete dental attachment assembly in the fully-swiveled position. With the cap **108** inserted into a recess of a dental appliance, the amount of swivel is therefore translated to the dental appliance as the dental appliance is being attached to the assembly, allowing for a great deal of flexibility as a dental professional or the patient attaches the appliance to the abutment.

C. Alternative Assemblies

[38] **FIG. 8** illustrates an alternate embodiment of the dental attachment assembly with an abutment **104** and retention member **106B** which are engaged using a snap engagement between the external surface of the abutment **104** and the internal surface of the retention member **106B**. In this embodiment, the cap **108** retains the radial concave recess **110**, but the abutment **104** has only one retention surface on the outer portion of the abutment for mating with the corresponding annular concavity on the retention member **106B**. The cap **108** therefore still provides the added rotational flexibility with the retention member **106B** and abutment **104** even though the retention mechanism is different.

[39] **FIG. 9** illustrates another alternative embodiment where the abutment **104** is provided with axially-spaced retention surfaces, although the retention member **106B** is not configured with corresponding annular grooves. Nevertheless, the retention member **106B** is still capable of retaining the abutment **104** and providing for full rotation within the cap **108** within the concave recess **110**.

[40] **FIG. 10A** illustrates the design of the curvature of an outer curved surface **118** of the retention member **106B** without annular grooves for retaining the abutment,

while **FIG. 10B** illustrates the design of the curvature of an outer curved surface **120** of the retention member **106** with annular grooves for retaining the abutment. The measurements provided demonstrate that various geometry configurations can be designed so that the retention member will swivel within the cap. The design can be optimized to provide for movement of the retention member in the cap free from friction or can be designed with a small amount of resistance, while still allowing for swiveling within the cap. In **FIG. 10A**, the outer curved surface **118** of retention member **106B** is configured from a circle **E** with a diameter of 0.060 inches and a circle **F** with a diameter of 0.187 inches. In **FIG. 10B**, the outer curved surface **120** of retention member **106** is configured from a circle **G** with a diameter of approximately 0.040 inches, a circle **H** with a diameter of approximately 0.074 inches, and a circle **I** with a diameter of approximately 0.186 inches. The slight variances in measurement illustrate that both configurations of retention members are capable of fitting within the cap and achieving the same degree of swivel provided by the concave recess **110**.

[41] FIG. 11 illustrates a dental attachment assembly **100** of a smaller size than the embodiment illustrated in **FIG. 1A** and **FIG. 5**. Despite the smaller size, the angle of swivel **S** is still approximately 30 degrees, indicating that different sized attachment assemblies may be made with the same properties for use in different sections of the mouth where larger assemblies may be impractical. **FIG. 12** illustrates a side view illustration of the smaller dental attachment assembly **100** in the fully-swiveled position.

D. Method of Use

[42] FIG. 13 illustrates one embodiment of a method of attaching a dental appliance to an implant using the dental attachment assembly described herein. In a first step **1302**, an abutment is secured to an implant or other root structure that will support the dental appliance. Next, a non-swiveling retention member is inserted into the cap (step **1304**), and this assembly is then attached to the abutment in step **1306**. In step **1308**, the dental appliance is modified with a recess placed in the appropriate position to accept the non-swiveling retention member and cap assembly in preparation for attachment, and in step **1310**, the cap is bonded into the recess in the dental appliance. In step **1312** the non-swiveling retention member is removed

from the cap and a swiveling retention member is inserted into the cap. In step **1312**, the dental appliance may be engaged onto the abutment by the snap engagement of the retention member onto the abutment and may be swiveled or rotated into place through use of the swivel joint between the cap and retention member, which is further enhanced by the concave recess within the cap.

[43] **FIG. 14** is a side view illustration of the dental attachment assembly after securing a dental appliance **120** with the cap **108** in the abutment **104** attached with the implant **102** in a patient's mouth **122**. **FIG. 15** is a side view illustration of the method of attaching the dental appliance **120** to the cap **108** and retention member **106**, and subsequently fitting the dental appliance assembly onto the abutment **104** and implant **102**.

[44] By providing the cap with the concave recess in combination with multiple configurations of the dental attachment assembly, any dental attachment assembly is provided with an increased allowable angle correction when attaching a dental appliance to an implant, simplifying the attachment process and reducing the risk of damage to the component parts from misalignments and wear from use at high angulations.

[45] The above description of the disclosed embodiments is provided to enable any person skilled in the art to make or use the invention. Various modifications to these embodiments will be readily apparent to those skilled in the art, and the generic principles described herein can be applied to other embodiments without departing from the spirit or scope of the invention. Thus, it is to be understood that the description and drawings presented herein represent a presently preferred embodiment of the invention and are therefore representative of the subject matter which is broadly contemplated by the present invention. It is further understood that the scope of the present invention fully encompasses other embodiments that may become obvious to those skilled in the art and that the scope of the present invention is accordingly not limited.

CLAIMS

What is claimed:

1. A dental attachment assembly comprising:

an abutment member with a first end shaped to attach to a tooth root, implant or adjacent tooth, and a second end with an outer locating surface;

a retention member having a first central longitudinal axis, an outer surface, a first end and a skirt extending from the first end defining an inner surface for non-swivel engagement over the outer locating surface of the abutment member; and

a cap having a second central longitudinal axis and a rounded, concave inner surface defining a cavity to form a swivel engagement with the outer surface of the retention member between a non-swiveled position in which the first and second central longitudinal axes are in alignment and a fully swiveled position in which the second central longitudinal axis is at an angle to the first longitudinal axis;

wherein an interior top surface of the cavity includes a concave recess which extends radially in an annular path along an outer periphery of the interior top surface of the cavity.

2. The dental attachment assembly of claim 1, further comprising a central portion of the interior top surface which is surrounded by the concave recess and protrudes vertically into the cavity to contact a central portion of the first end of the retention member at least in the non-swiveled position.

3. The dental attachment assembly of claim 1, wherein a curve of the concave recess continues along at least part of a side wall of the rounded, concave inner surface of the cavity.

4. The dental attachment assembly of claim 3, wherein the concave inner surface of the side wall and the concave recess curve at a plurality of varying angles along the side wall and the interior top surface of the cavity.

5. The dental attachment assembly of claim 3, wherein the concave recess and rounded, concave inner surface of the side wall are composed of a series of consecutive tangent circular arcs.
6. The dental attachment assembly of claim 5, wherein the series of consecutive tangent circular arcs increase in size from the interior top surface to an open end of the side wall.
7. The dental attachment assembly of claim 6, wherein the series of consecutive tangent circular arcs are comprised of circles of increasing size from the interior top surface of the cap to the open end of the side wall of the cap.
8. The dental attachment assembly of claim 1, wherein an outer diameter of the cap is approximately 5.4 millimeters (mm) and a height of the cap is approximately 2.3 mm.
9. The dental attachment assembly of claim 1, wherein the swivel engagement of the concave recess of the cap with respect to the retention member between the non-swiveled and fully-swiveled positions is up to approximately 30 degrees.
10. A method of attaching a dental appliance to a patient's mouth, comprising:
 - securing a first end of an abutment member to an implant, tooth root or adjacent tooth, the abutment member having an outer locating surface on a second end;
 - attaching an outer surface of a cap within a recess in the dental appliance, the cap having a central longitudinal axis, a rounded, concave inner surface defining a cavity and a concave recess extending radially along an outer periphery of a top surface of the concave inner surface of the cap;
 - positioning an outer surface of a retention member within the cavity of the cap to form a swivel engagement between the retention member and the concave inner surface and concave recess of the cap through a predetermined swivel angle from a non-swiveled position in which the central longitudinal axis of the cap is in axial alignment with the central longitudinal axis of the retention member to a fully swiveled position in which the central longitudinal axis of the cap is at an angle to the central longitudinal axis of the retention member; and

positioning an inner surface of the retention member in non-swiveling engagement over the outer locating surface of the abutment member to secure the dental appliance in the patient's mouth, the retention member including a first end and a skirt extending from the first end which engages over the outer locating surface of the abutment member.

11. The method of claim 10, wherein a central portion of the top surface of the concave inner surface of the cap contacts a central portion of an opposing end of the outer surface of the retention member in the non-swiveled position and part of the concave recess contacts an opposing, non-central portion of the outer surface of the retention member in the fully-swiveled position to define a predetermined angular range of swivel of the cap on the retention member between the non-swiveled and fully swiveled position.

12. The dental attachment assembly of claim 1, wherein the retention member has a rounded annular outer peripheral portion extending from the first end to the skirt and a first part of the rounded annular outer peripheral portion engages an opposing part of the concave recess in the cap in the fully swiveled position.

13. The dental attachment assembly of claim 12, wherein the rounded concave inner surface of the cap has an outer end portion which contacts a second part of the annular outer peripheral portion of the retention member in the fully swiveled position, and the second part of the annular outer peripheral portion is diametrically opposite to the first part which contacts the concave recess in the cap.

14. A dental attachment assembly comprising: an abutment member with a first end shaped to attach to a tooth root, implant or adjacent tooth, and a second end with an outer locating surface, wherein the outer locating surface of the abutment member has at least two axially spaced retention portions comprising two generally rounded, annular projections; a retention member having a first end and a skirt extending from the first end defining an inner surface for engagement over the outer locating surface of the abutment member, wherein the retention member has at least two axially spaced, snap engaging formations on the inner surface of the skirt for releasable snap engagement with the respective retention portions of the abutment member, and wherein the axially spaced, snap engaging formations on the inner surface of the skirt comprise two spaced, annular grooves

for snap engagement over the annular projections on the abutment member; and a cap with a rounded, concave inner surface defining a cavity to receive a swivel engagement with the retention member; wherein an interior top surface of the cavity includes a concave recess extending radially along an outer periphery of the interior top surface of the cavity.

15. The dental attachment assembly of claim 14, further comprising a central portion of the interior top surface which protrudes vertically into the cavity.

16. The dental attachment assembly of claim 15, wherein the retention member is in direct contact with the central portion of the interior top surface.

17. The dental attachment assembly of claim 14, wherein a curve of the concave recess continues along a side wall of the rounded, concave inner surface of the cavity.

18. The dental attachment assembly of claim 17, wherein the concave recess curves at a plurality of varying angles along the side wall and the interior top surface of the cavity.

19. The dental attachment assembly of claim 17, wherein the concave recess is composed of a series of consecutive tangent circular arcs.

20. The dental attachment assembly of claim 19, wherein the series of consecutive tangent circular arcs increase in size from the interior top surface to the bottom portion of the cap.

21. The dental attachment assembly of claim 20, wherein the series of consecutive tangent circular arcs are comprised of circles of increasing size from a top portion of the cap to a bottom portion of the cap.

22. The dental attachment assembly of claim 14, wherein an outer diameter of the cap is approximately 5.4 millimeters (mm) and a height of the cap is approximately 2.3 mm.

23. The dental attachment assembly of claim 14, wherein the concave recess provides a retention member with an angle correction of up to approximately 30 degrees.

1/15

100

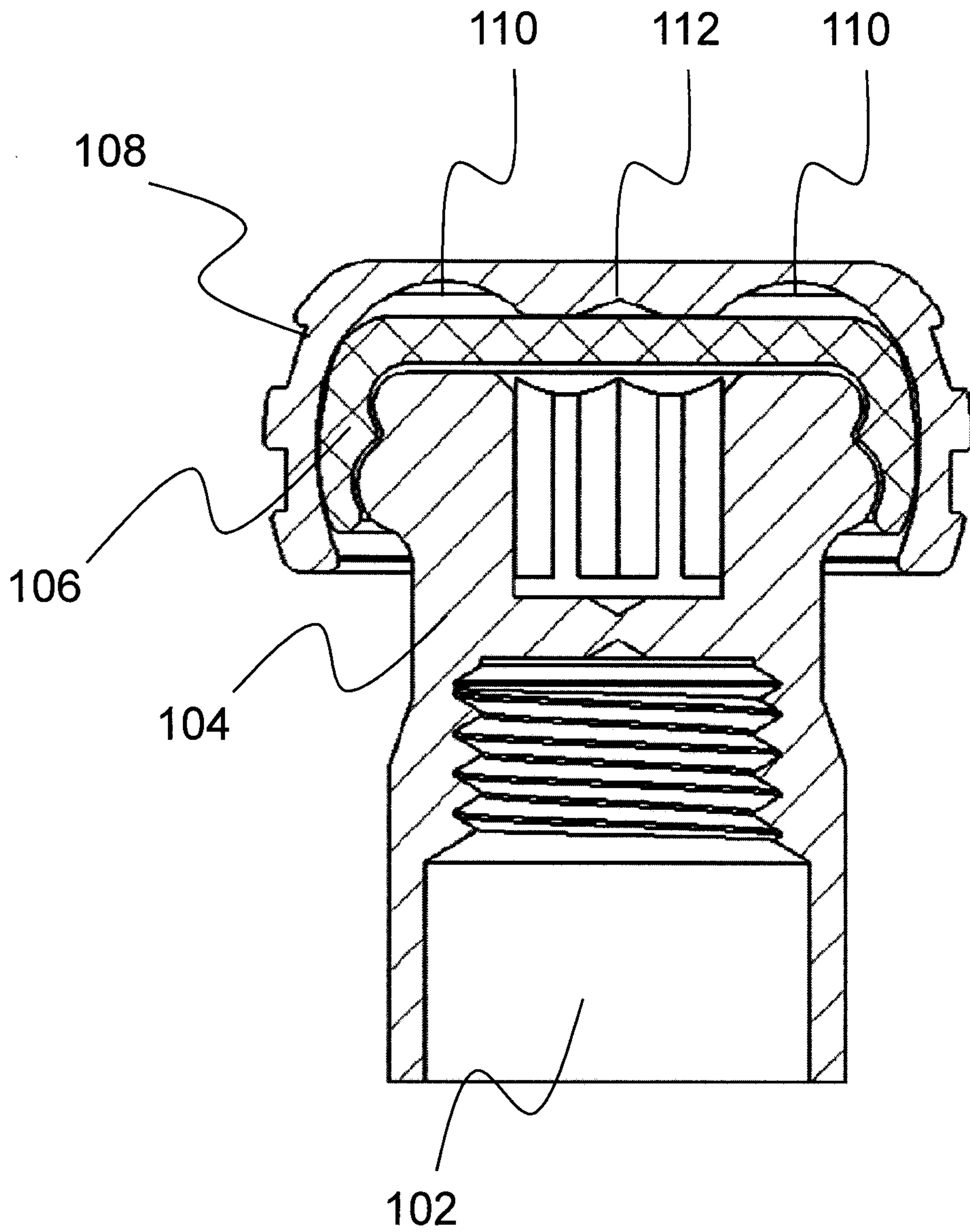


FIG. 1A

2/15

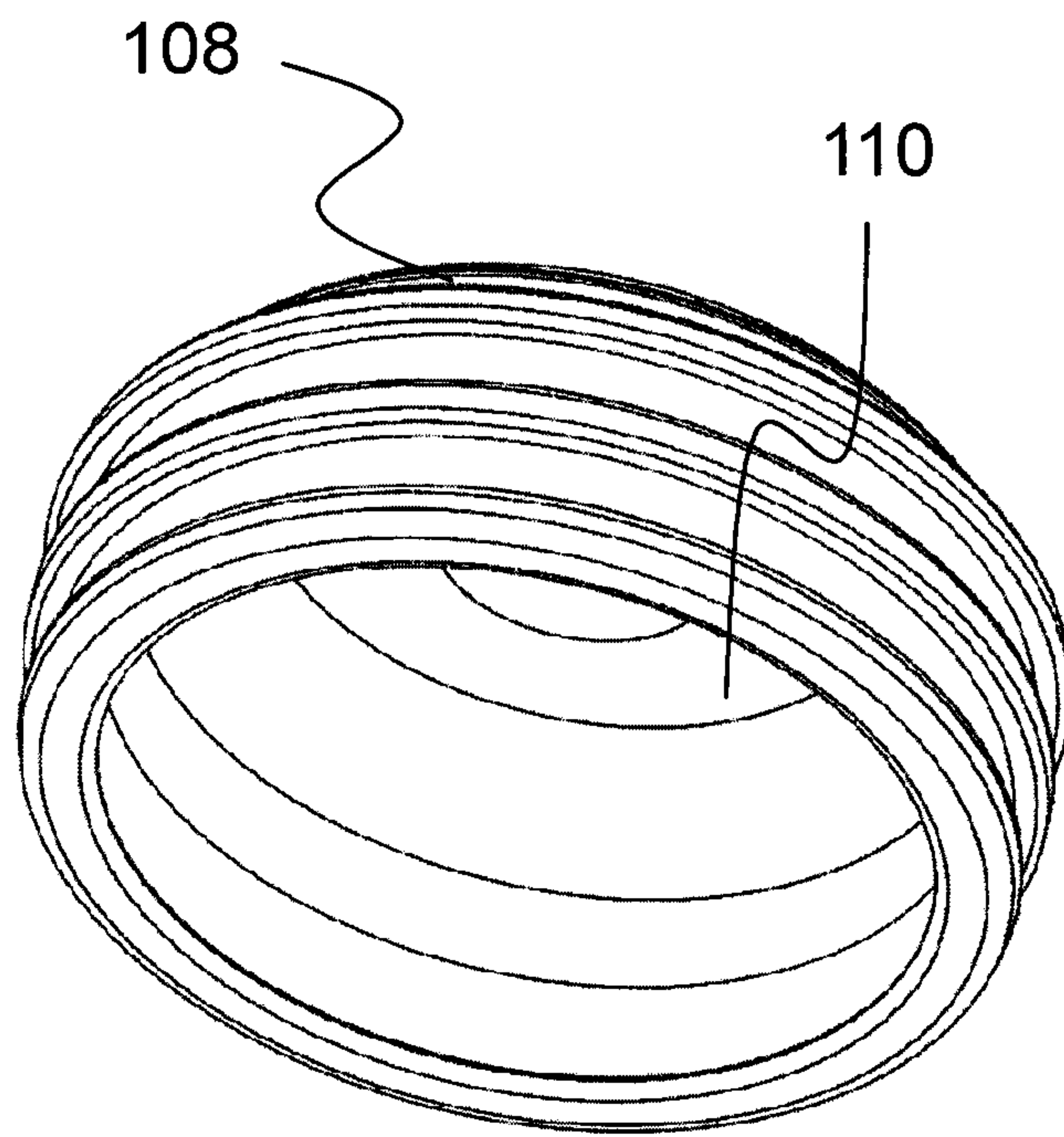


FIG. 1B

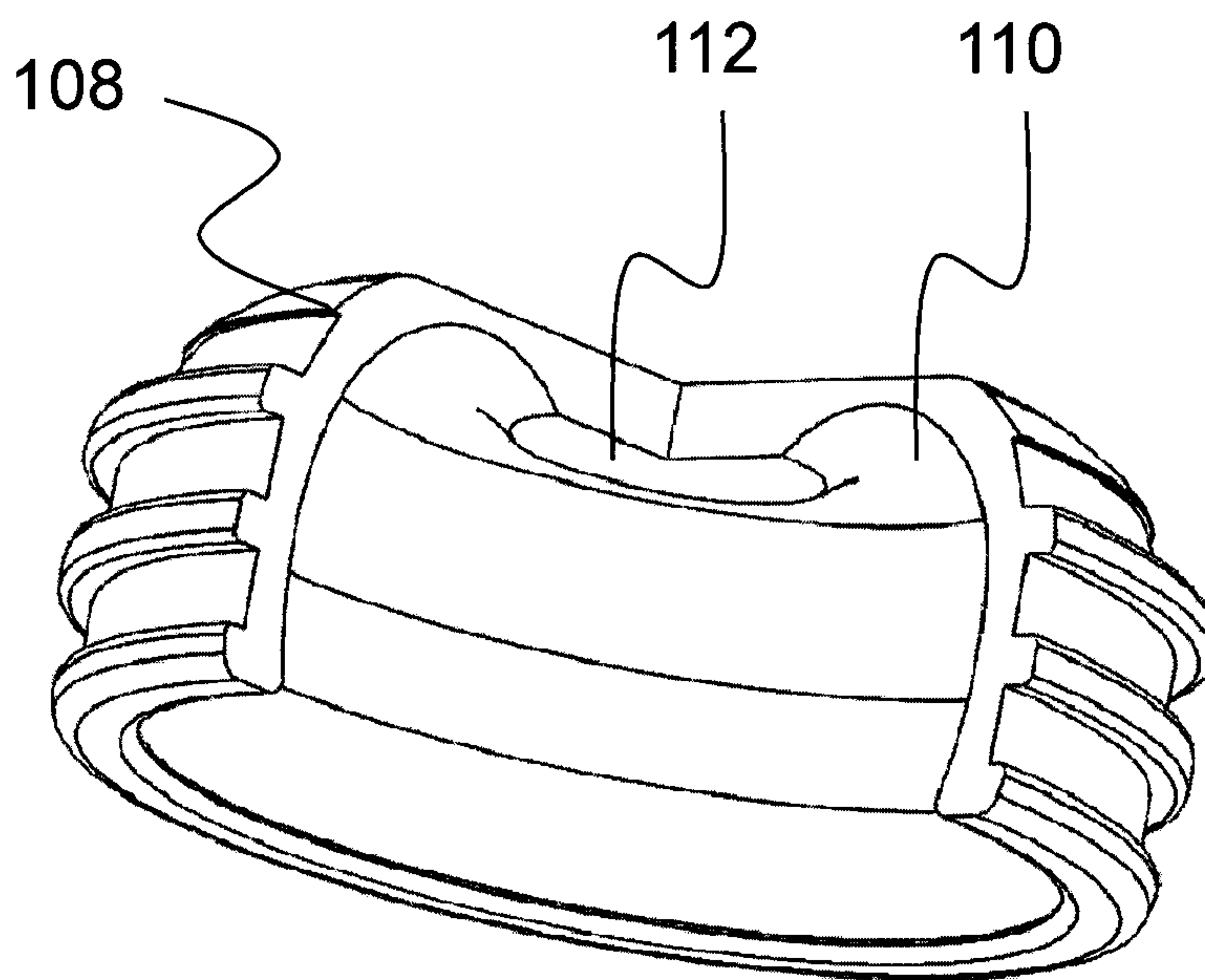


FIG. 1C

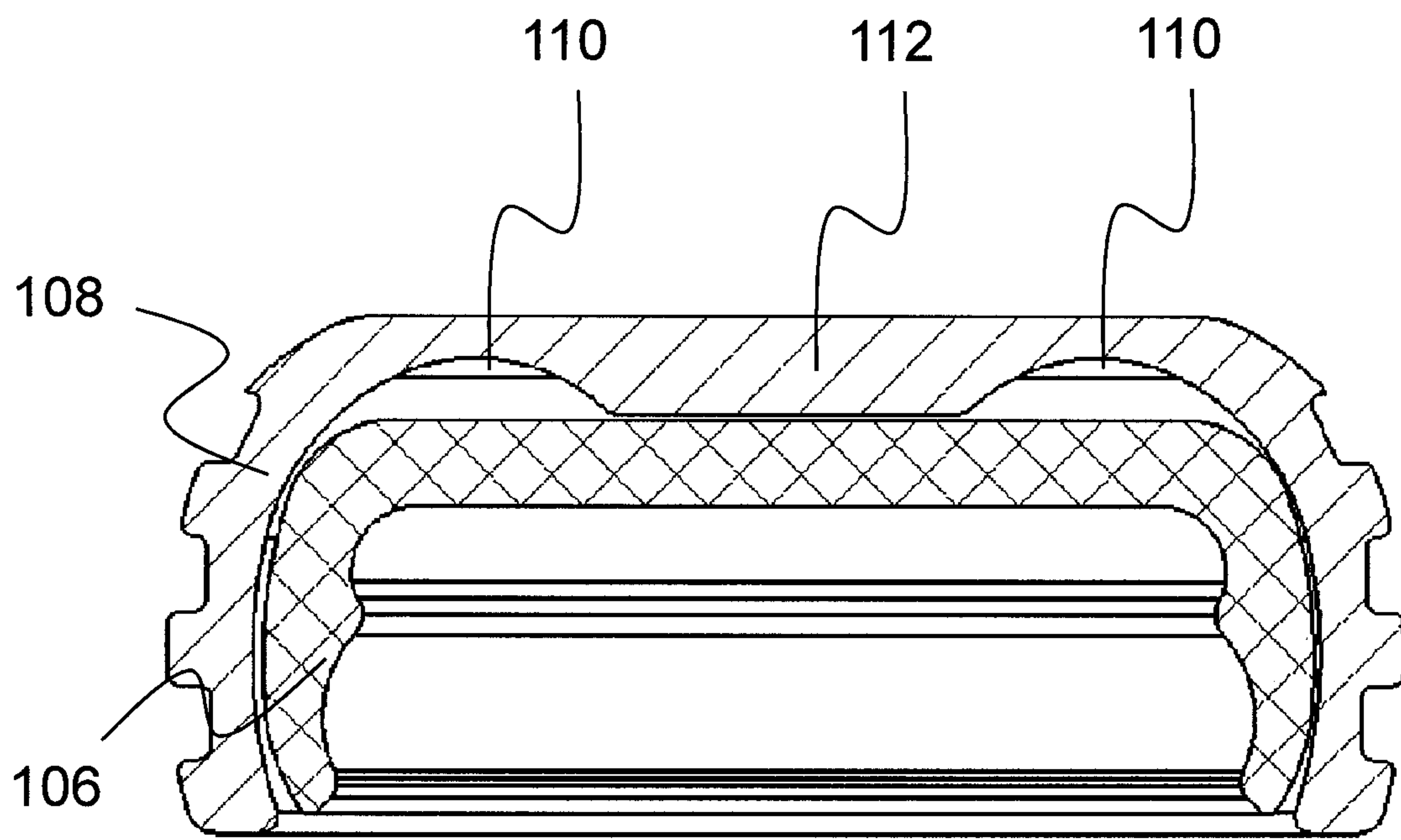


FIG. 2

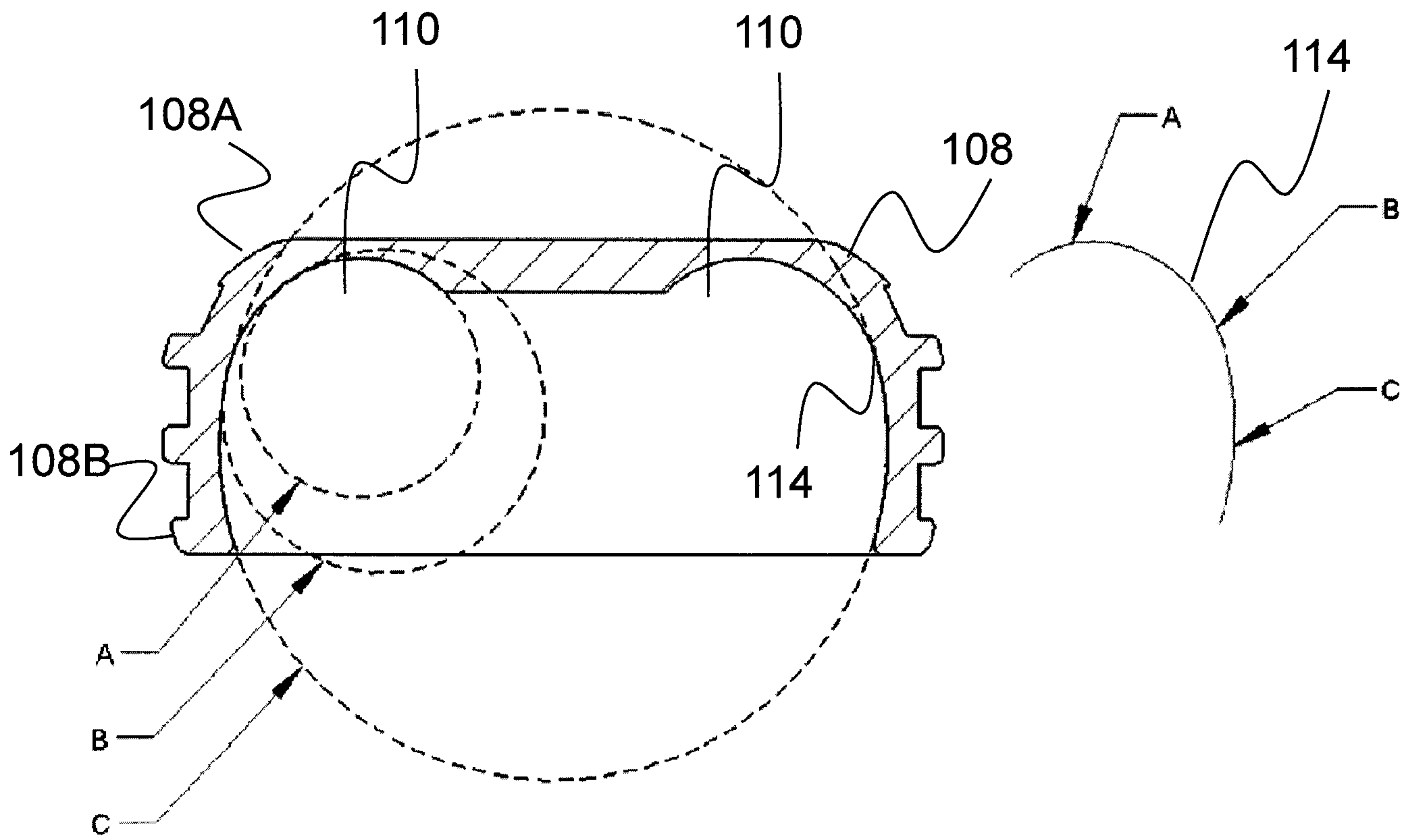


FIG. 4

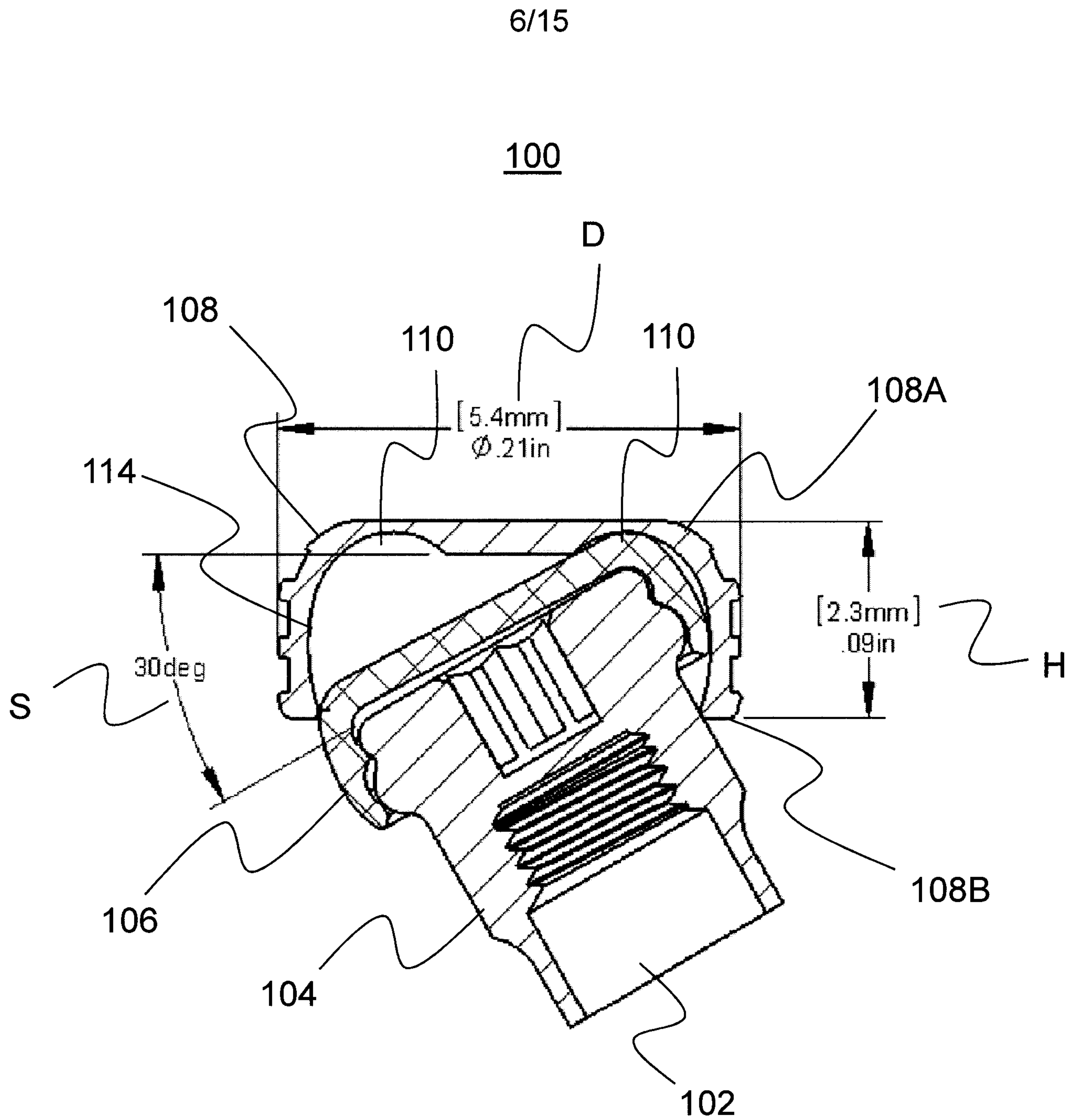


FIG. 5

7/15

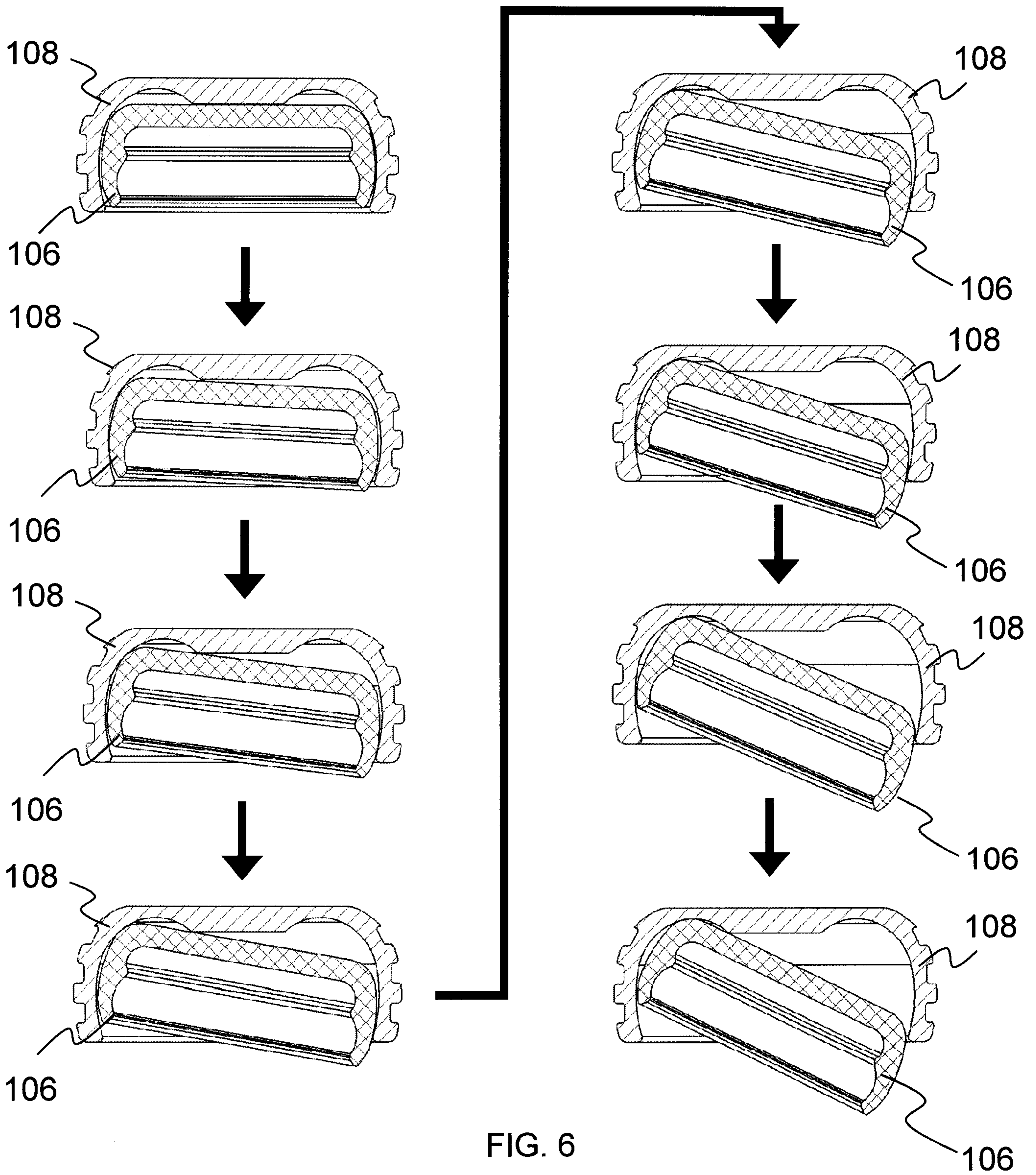


FIG. 6

8/15

100

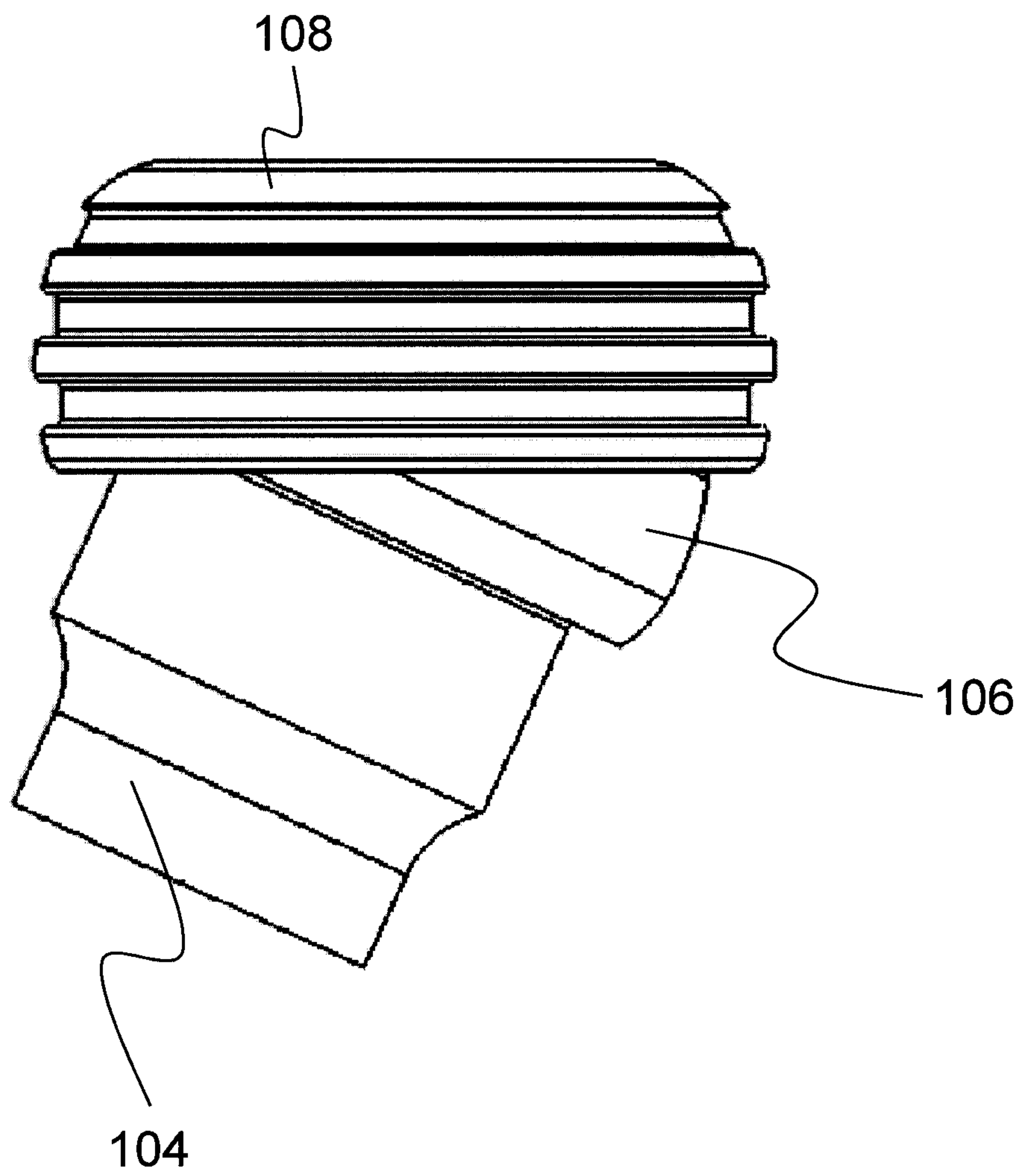


FIG. 7

9/15

100

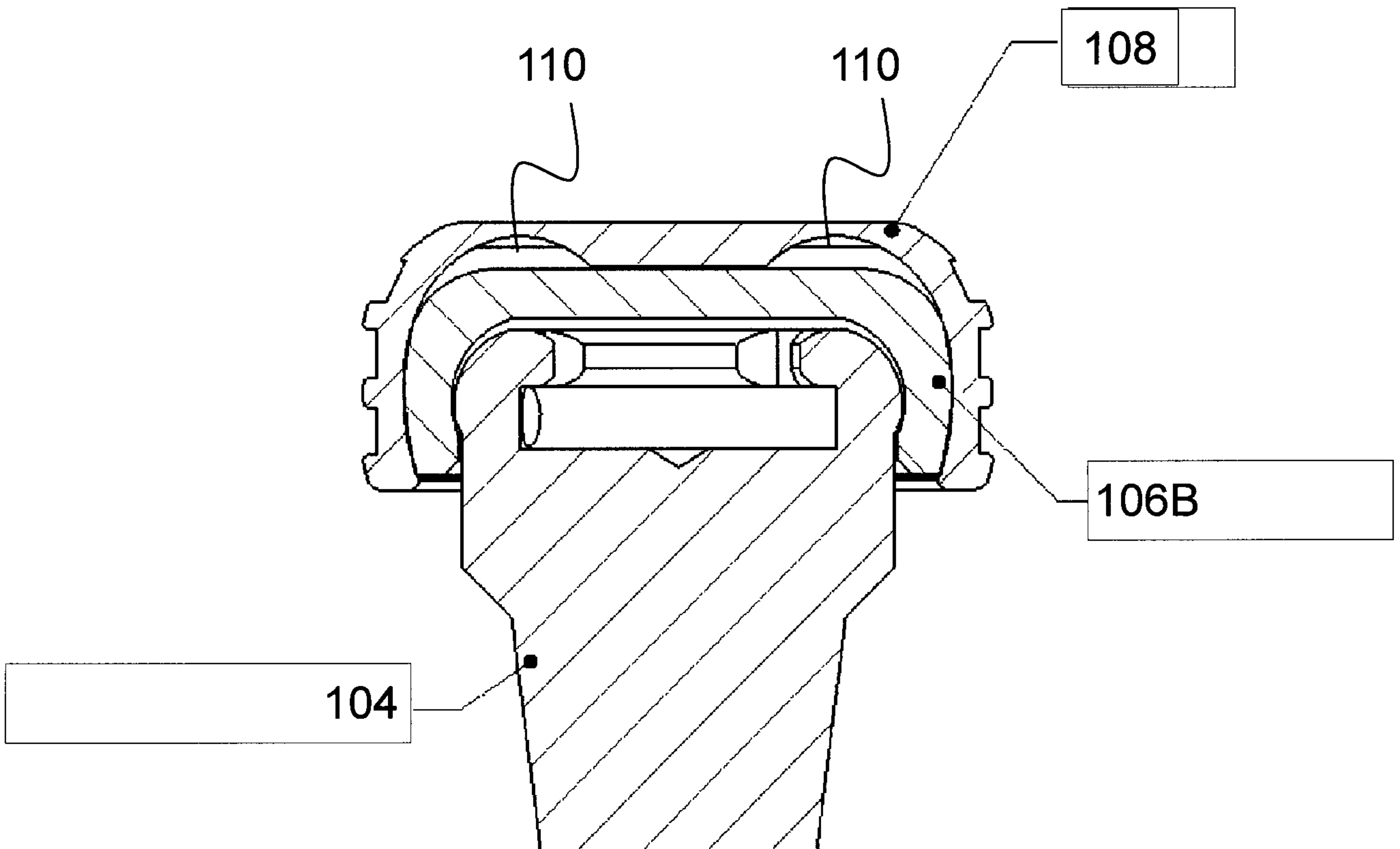


FIG. 8

10/15

100

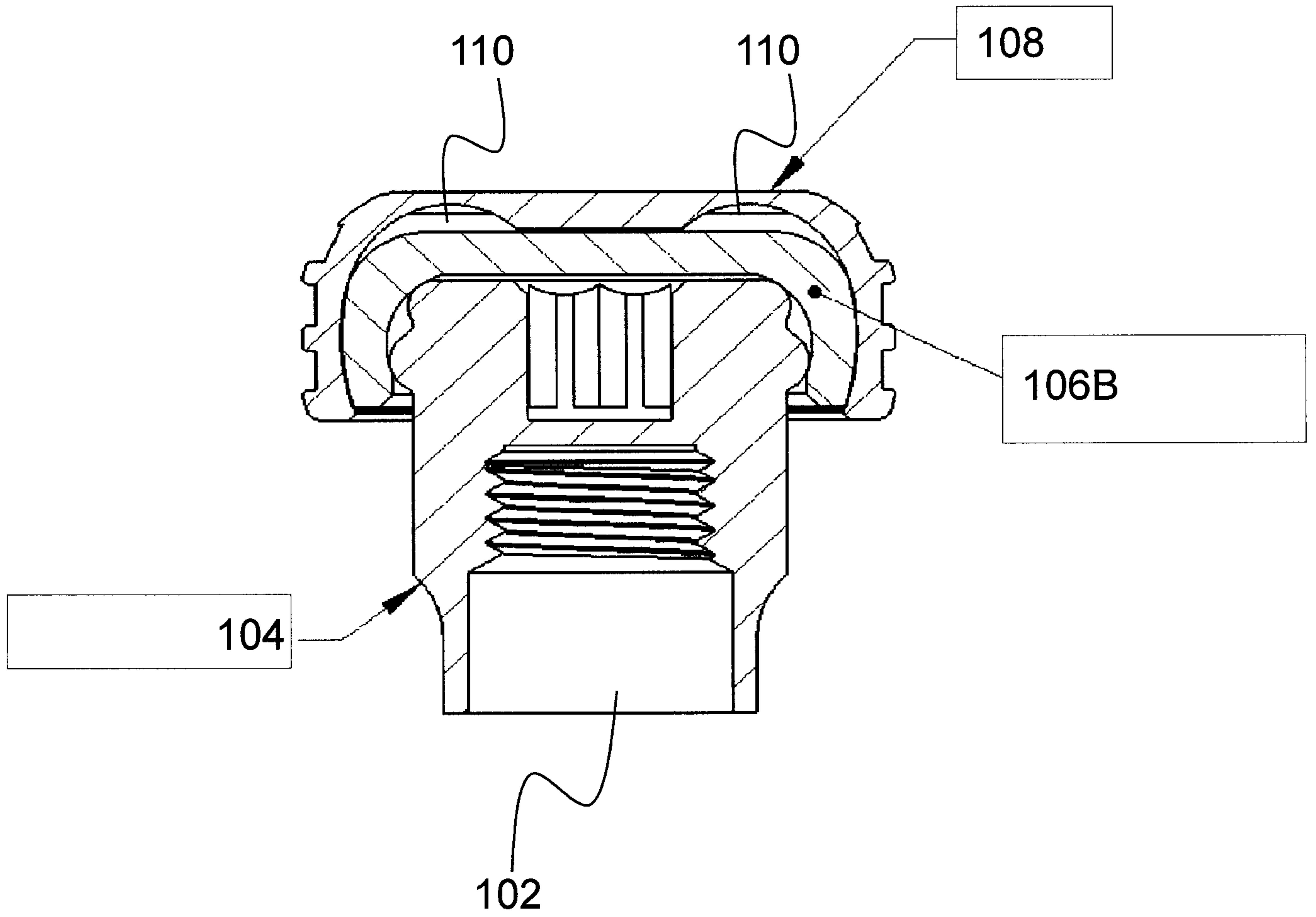


FIG. 9

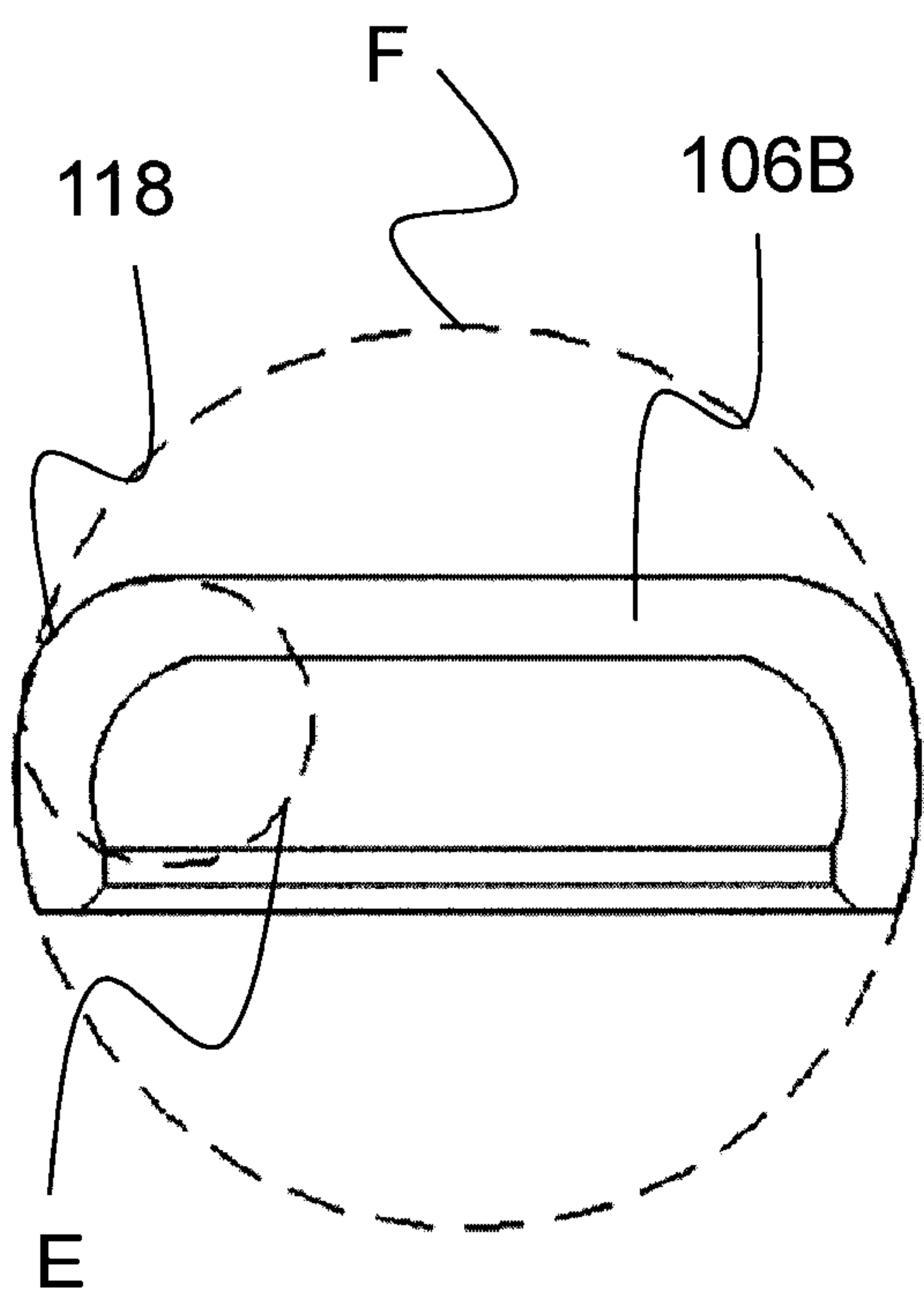


FIG. 10A

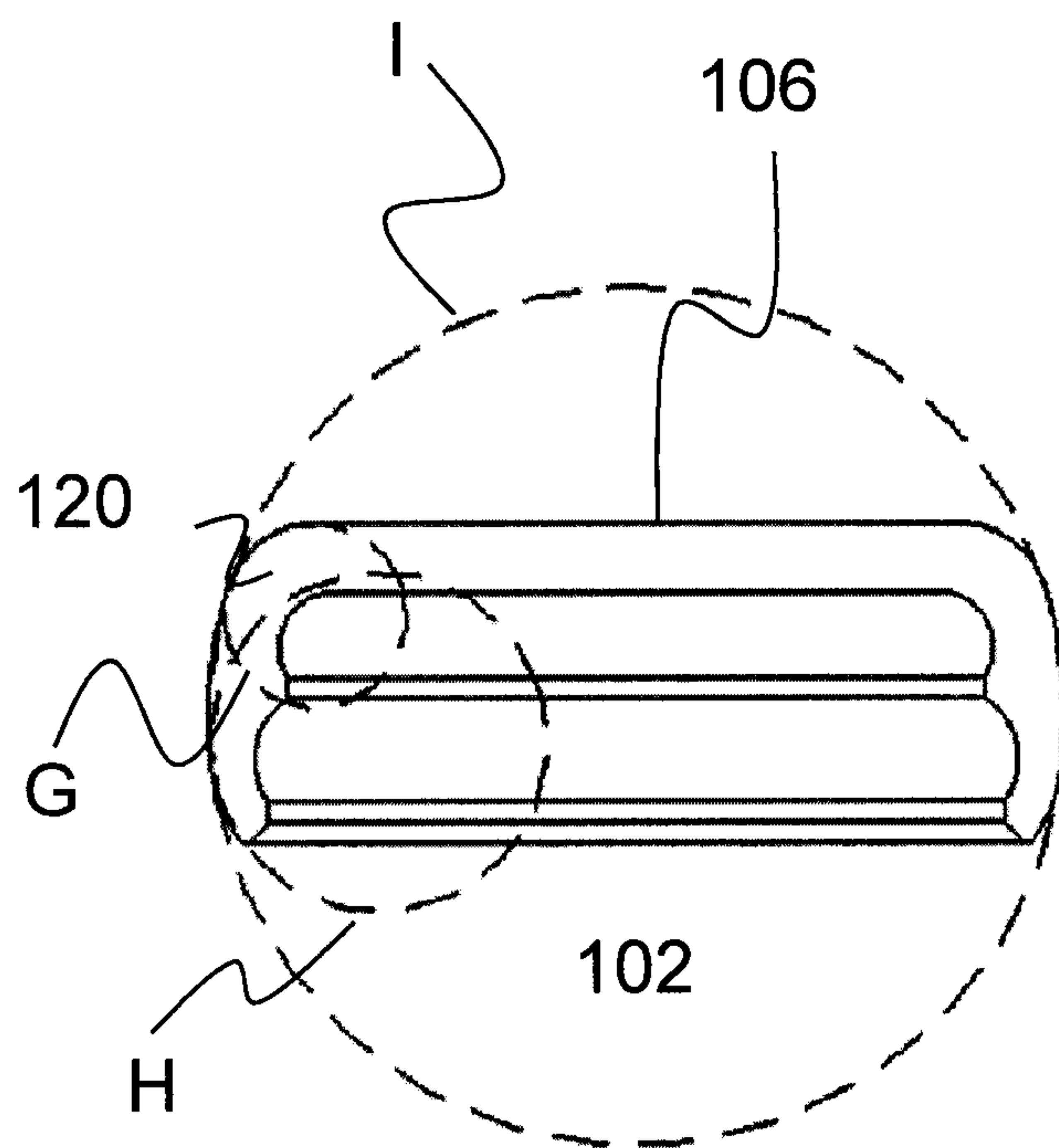


FIG. 10B

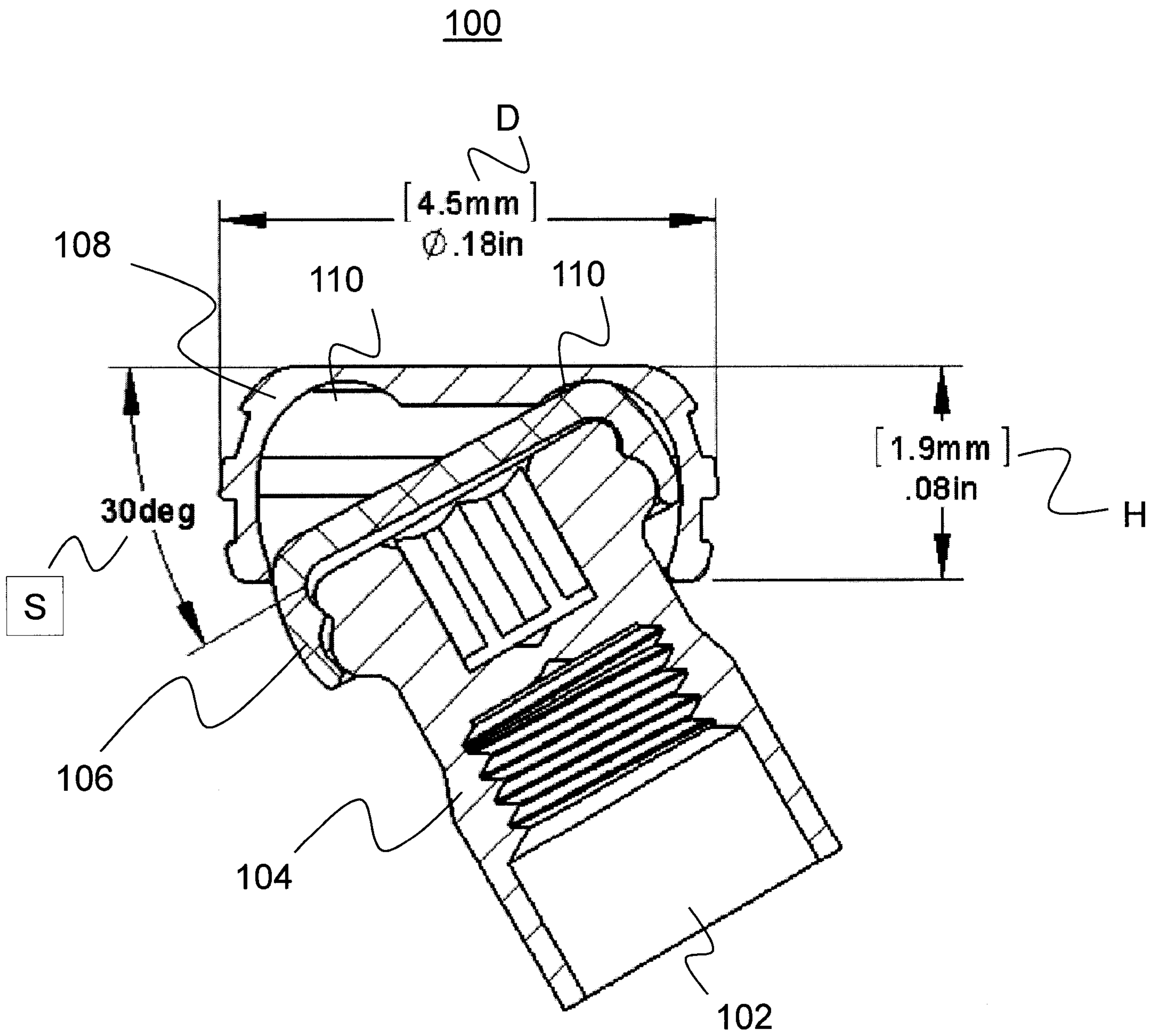


FIG. 11

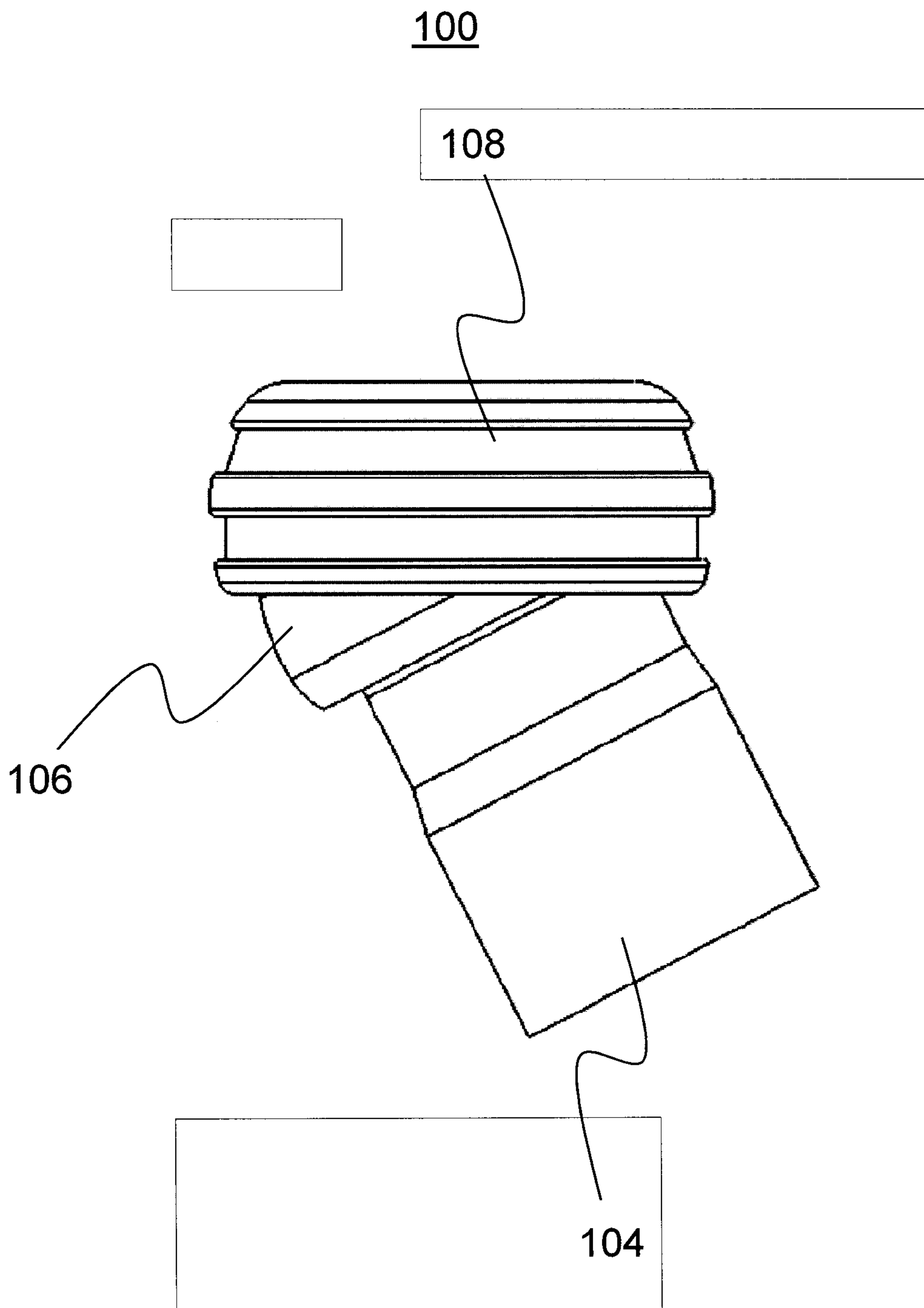


FIG. 12

14/15

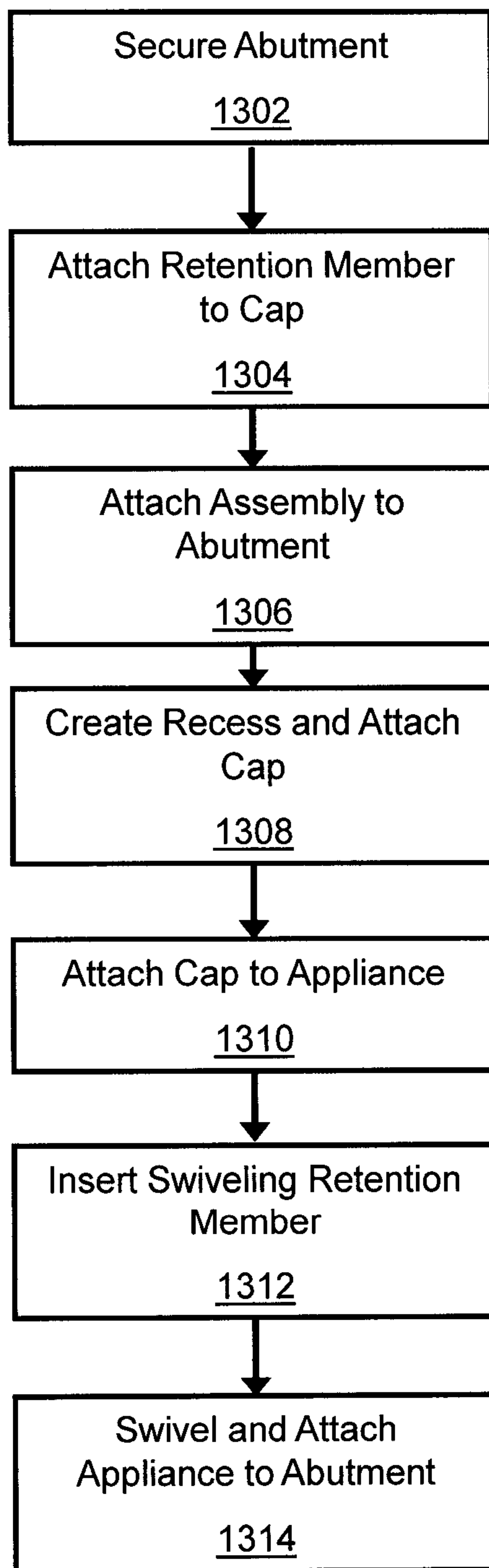
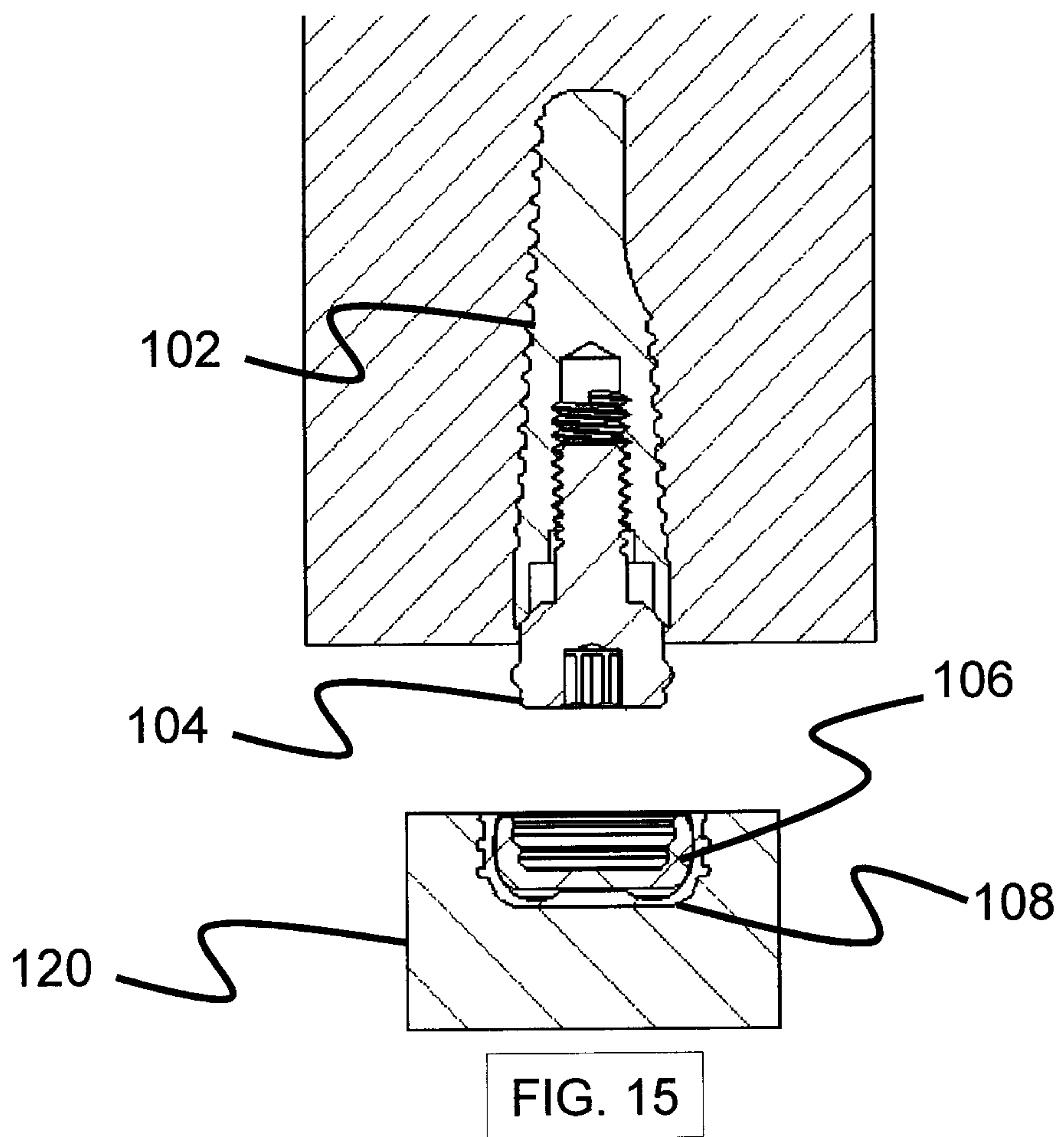
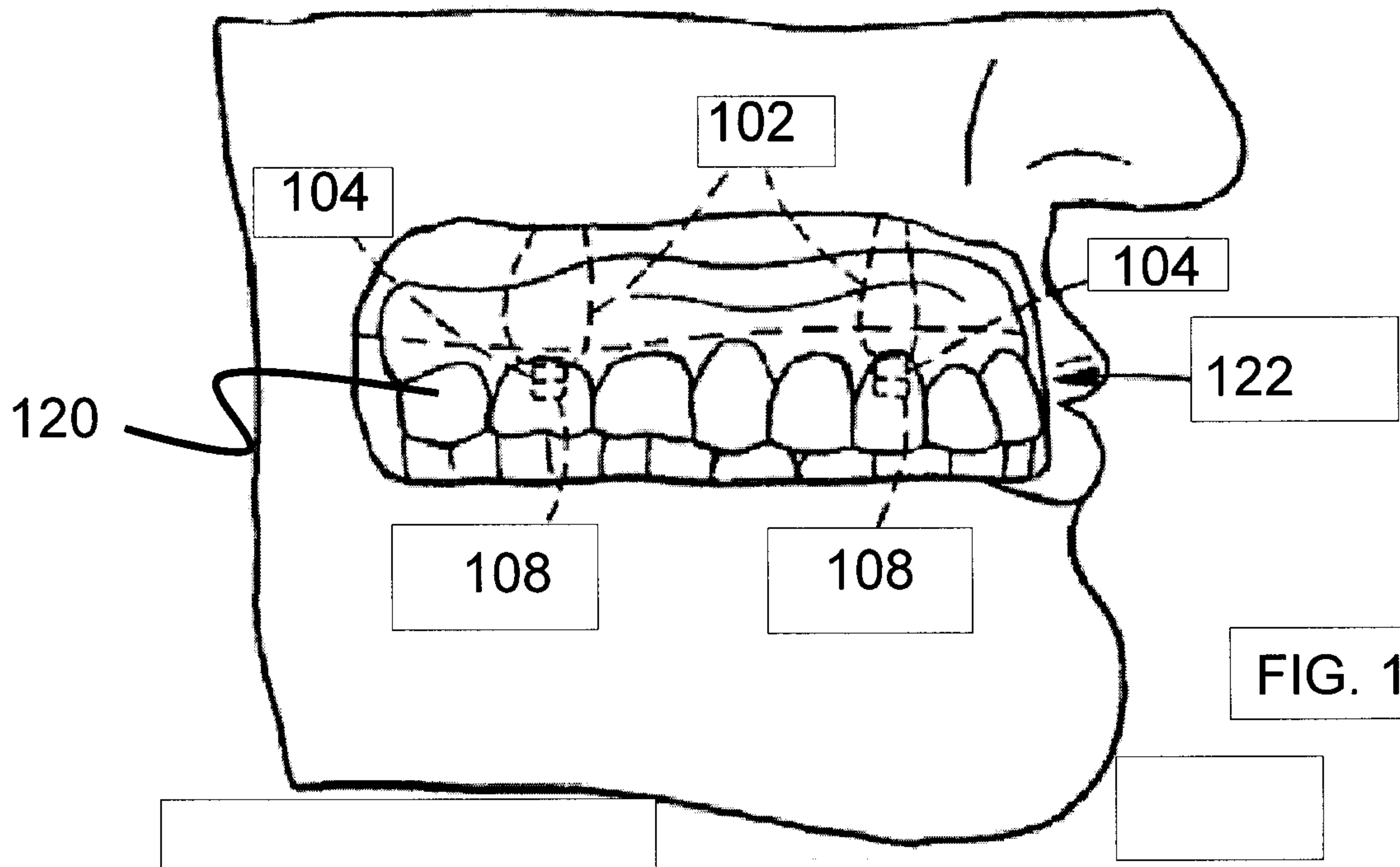


FIG. 13

15/15



100

