

(19) World Intellectual Property Organization
International Bureau



(43) International Publication Date
29 November 2007 (29.11.2007)

PCT

(10) International Publication Number
WO 2007/137136 A3

- (51) International Patent Classification:
A61B 17/34 (2006.01)
- (21) International Application Number:
PCT/US2007/069180
- (22) International Filing Date: 17 May 2007 (17.05.2007)
- (25) Filing Language: English
- (26) Publication Language: English
- (30) Priority Data:
60/800,853 17 May 2006 (17.05.2006) US
11/647,312 29 December 2006 (29.12.2006) US
- (71) Applicant (for all designated States except US): **ST. JUDE MEDICAL, ATRIAL FIBRILLATION DIVISION, INC.** [US/US]; 14901 DeVeau Place, Minnetonka, MN 55345-2126 (US).
- (72) Inventors; and
- (75) Inventors/Applicants (for US only): **HASSETT, James A.** [US/US]; 12711 Riverview Road, Eden Prairie, MN 55347 (US). **STEHR, Richard E.** [US/US]; 771 Fischer Circle, Stillwater, MN 55082 (US).
- (74) Agent: **HEIMBECHER, Reed R.**; Legal Department, St. Jude Medical, AF Division, Inc., 14901 DeVeau Place, Minnetonka, MN 55345-2126 (US).

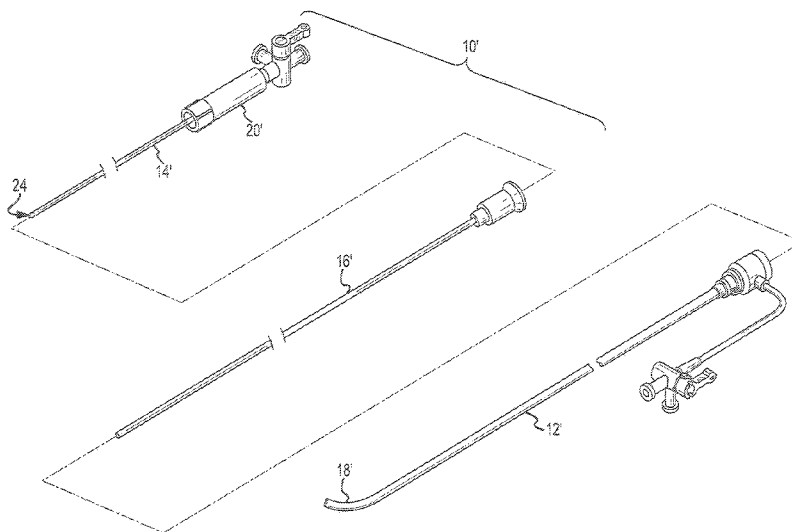
- (81) Designated States (unless otherwise indicated, for every kind of national protection available): AE, AG, AL, AM, AT, AU, AZ, BA, BB, BG, BH, BR, BW, BY, BZ, CA, CH, CN, CO, CR, CU, CZ, DE, DK, DM, DZ, EC, EE, EG, ES, FI, GB, GD, GE, GH, GM, GT, HN, HR, HU, ID, IL, IN, IS, JP, KE, KG, KM, KN, KP, KR, KZ, LA, LC, LK, LR, LS, LT, LU, LY, MA, MD, ME, MG, MK, MN, MW, MX, MY, MZ, NA, NG, NI, NO, NZ, OM, PG, PH, PL, PT, RO, RS, RU, SC, SD, SE, SG, SK, SL, SM, SV, SY, TJ, TM, TN, TR, TT, TZ, UA, UG, US, UZ, VC, VN, ZA, ZM, ZW.
- (84) Designated States (unless otherwise indicated, for every kind of regional protection available): ARIPO (BW, GH, GM, KE, LS, MW, MZ, NA, SD, SL, SZ, TZ, UG, ZM, ZW), Eurasian (AM, AZ, BY, KG, KZ, MD, RU, TJ, TM), European (AT, BE, BG, CH, CY, CZ, DE, DK, EE, ES, FI, FR, GB, GR, HU, IE, IS, IT, LT, LU, LV, MC, MT, NL, PL, PT, RO, SE, SI, SK, TR), OAPI (BF, BJ, CF, CG, CI, CM, GA, GN, GQ, GW, ML, MR, NE, SN, TD, TG).

Declarations under Rule 4.17:

- as to the identity of the inventor (Rule 4.17(i))
- as to applicant's entitlement to apply for and be granted a patent (Rule 4.17(ii))
- as to the applicant's entitlement to claim the priority of the earlier application (Rule 4.17(iii))

[Continued on next page]

(54) Title: TRANSSEPTAL NEEDLE ASSEMBLIES AND METHODS



(57) Abstract: The instant invention relates to transseptal access systems and methods for accessing the left atrium (52) from the right atrium (48) by crossing the interatrial septum (50). In particular, the instant invention is directed toward medical devices used with catheter assemblies in cardiology procedures that require transseptal puncture(s). The puncture assemblies (e.g., 10) have a moveable puncture device (e.g., 14) within a dilator (e.g., 16). The puncture device is biased in a retracted position. The position of the puncture assembly is precisely locatable. The puncture assembly is preferably flexible along the majority of the length of its and, therefore, can be used with any catheter assembly of any predetermined shape. The puncture device is adjustable from a position within the dilator to a position extending beyond the end of the dilator when necessary for use in transseptal procedures.

WO 2007/137136 A3



Published:

- *with international search report*
- *before the expiration of the time limit for amending the claims and to be republished in the event of receipt of amendments*

(88) Date of publication of the international search report:
6 November 2008

INTERNATIONAL SEARCH REPORT

International application No. PCT/US07/69180

A. CLASSIFICATION OF SUBJECT MATTER
 IPC: **A61B 17/34(2006.01)**

USPC: **606/185**
 According to International Patent Classification (IPC) or to both national classification and IPC

B. FIELDS SEARCHED

Minimum documentation searched (classification system followed by classification symbols)
 U.S. : 606/185, 167, 190, 191; 604/104, 115, 164.1, 164.11, 164.12

Documentation searched other than minimum documentation to the extent that such documents are included in the fields searched

Electronic data base consulted during the international search (name of data base and, where practicable, search terms used)

C. DOCUMENTS CONSIDERED TO BE RELEVANT

Category *	Citation of document, with indication, where appropriate, of the relevant passages	Relevant to claim No.
X --- Y	US 5,545,141 (ELD) 13 August 1996 (13.08.1996) entire document	1-7, 10-16, 21 ----- 8, 9, 17-20
Y	US RE 34,086 (GEORGE) 06 October 1992 (06.10.92), entire document	8, 9
Y	US 2006/0009715 (KHAIRKHAHAN et al.) 12 January 2006 (12.01.2006), entire document	17-20

Further documents are listed in the continuation of Box C. See patent family annex.

<p>* Special categories of cited documents:</p> <p>"A" document defining the general state of the art which is not considered to be of particular relevance</p> <p>"E" earlier application or patent published on or after the international filing date</p> <p>"L" document which may throw doubts on priority claim(s) or which is cited to establish the publication date of another citation or other special reason (as specified)</p> <p>"O" document referring to an oral disclosure, use, exhibition or other means</p> <p>"P" document published prior to the international filing date but later than the priority date claimed</p>	<p>"T" later document published after the international filing date or priority date and not in conflict with the application but cited to understand the principle or theory underlying the invention</p> <p>"X" document of particular relevance, the claimed invention cannot be considered novel or cannot be considered to involve an inventive step when the document is taken alone</p> <p>"Y" document of particular relevance; the claimed invention cannot be considered to involve an inventive step when the document is combined with one or more other such documents, such combination being obvious to a person skilled in the art</p> <p>"&" document member of the same patent family</p>
---	---

Date of the actual completion of the international search 17 August 2008 (17.08.2008)	Date of mailing of the international search report <div style="text-align: center; font-weight: bold; font-size: 1.2em;">04 SEP 2008</div>
Name and mailing address of the ISA/US Mail Stop PCT, Attn: ISA/US Commissioner for Patents P.O. Box 1450 Alexandria, Virginia 22313-1450 Facsimile No. (571) 273-3201	Authorized officer Todd Manahan Telephone No. n/a