



(43) International Publication Date
27 December 2013 (27.12.2013)

- (51) International Patent Classification:
F24F 7/007 (2006.01)
- (21) International Application Number:
PCT/US2012/043417
- (22) International Filing Date:
21 June 2012 (21.06.2012)
- (25) Filing Language: English
- (26) Publication Language: English
- (72) Inventors; and
(71) Applicants : WU, Yung-Yu; No. 14, Jiuzhuang, Fangshan Township, Pingtung County, 941 (TW). CHIU, Chih-Hung [US/US]; 5937 Old Poag Rd, Edwardsville, IL 62025 (US). LAI, Chien-Chia; 7f., No.192, Jianguo Rd., Yingge Dist., New Taipei City, 239 (TW).
- (74) Agent: SHIH, Chun-Ming; HDLS IPR Services, P.O. Box 220746, Chantilly, VA 20153 (US).
- (81) Designated States (unless otherwise indicated, for every kind of national protection available): AE, AG, AL, AM, AO, AT, AU, AZ, BA, BB, BG, BH, BR, BW, BY, BZ,

CA, CH, CL, CN, CO, CR, CU, CZ, DE, DK, DM, DO, DZ, EC, EE, EG, ES, FI, GB, GD, GE, GH, GM, GT, HN, HR, HU, ID, IL, IN, IS, JP, KE, KG, KM, KN, KP, KR, KZ, LA, LC, LK, LR, LS, LT, LU, LY, MA, MD, ME, MG, MK, MN, MW, MX, MY, MZ, NA, NG, NI, NO, NZ, OM, PE, PG, PH, PL, PT, QA, RO, RS, RU, RW, SC, SD, SE, SG, SK, SL, SM, ST, SV, SY, TH, TJ, TM, TN, TR, TT, TZ, UA, UG, US, UZ, VC, VN, ZA, ZM, ZW.

- (84) Designated States (unless otherwise indicated, for every kind of regional protection available): ARIPO (BW, GH, GM, KE, LR, LS, MW, MZ, NA, RW, SD, SL, SZ, TZ, UG, ZM, ZW), Eurasian (AM, AZ, BY, KG, KZ, RU, TJ, TM), European (AL, AT, BE, BG, CH, CY, CZ, DE, DK, EE, ES, FI, FR, GB, GR, HR, HU, IE, IS, IT, LT, LU, LV, MC, MK, MT, NL, NO, PL, PT, RO, RS, SE, SI, SK, SM, TR), OAPI (BF, BJ, CF, CG, CI, CM, GA, GN, GQ, GW, ML, MR, NE, SN, TD, TG).

Declarations under Rule 4.17:

- as to the identity of the inventor (Rule 4.17(i))
- of inventorship (Rule 4.17(iv))

[Continued on next page]

(54) Title: SOLAR POWERED HEAT-DISSIPATING DEVICE USED ON CAR WINDOW

(57) Abstract: A solar powered heat-dissipating device used on a car window is configured to straddle on a side window glass of a car and includes a straddling base, two wind-generating units and a solar cell panel. The straddling base straddles on an upper edge of the side window glass. The interior of the straddling base has two separated air channels for allowing air to flow inward and outward of the car respectively. The two wind-generating units are provided in the two air channels respectively. The flowing directions of the airflows respectively generated by the two wind-generating units are opposite to each other. The solar cell panel is disposed on the straddling base to protrude out of the car. The solar cell panel is pivotally connected to the straddling base and rotatable relative to the straddling base for adjusting its inclination angle.

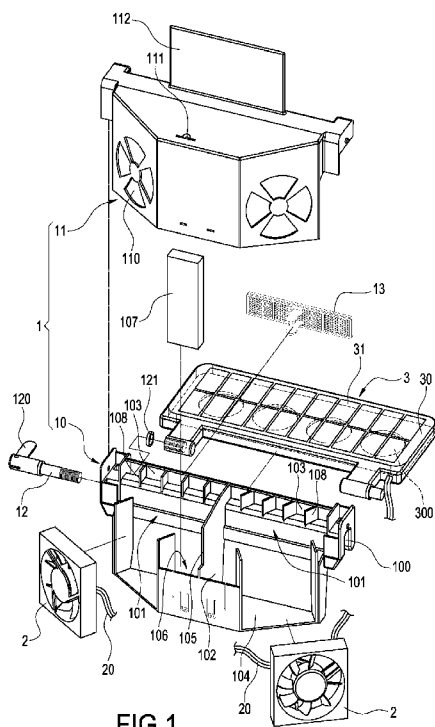


FIG. 1





Published:

— *with international search report (Art. 21(3))*

(88) Date of publication of the international search report:

1 May 2014

INTERNATIONAL SEARCH REPORT

International application No.

PCT/US 12/43417

A. CLASSIFICATION OF SUBJECT MATTER

IPC(8) - B60H 1/24 (2012.01)

USPC - 454/133

According to International Patent Classification (IPC) or to both national classification and IPC

B. FIELDS SEARCHED

Minimum documentation searched (classification system followed by classification symbols)
454/133

Documentation searched other than minimum documentation to the extent that such documents are included in the fields searched
62/3.61, 235.1, 244;
454/69, 128, 129, 130, 131, 132, 133, 134, 135, 196, 200, 900

Electronic data base consulted during the international search (name of data base and, where practicable, search terms used)
DialogPro (USPS, WIPO, JPAB), FreePatentsOnline, Google Patents: Solar, photovoltaic, panel, car, automobile, vehicle, vehicular, window, fan, blower, ventilation, pivotal, rotatable, notch, cut out, hole, partition, separation, barrier, wire, shaft, rod, gasket, washer, handle.

C. DOCUMENTS CONSIDERED TO BE RELEVANT

Category*	Citation of document, with indication, where appropriate, of the relevant passages	Relevant to claim No.
Y	US 5,148,736 A (Juang) 22 September 1992 (22.09.1992), Fig. 2, 3, page 8, col. 2, lines 40-68; page 9, col. 3, lines 52-61	1-18
Y	CN 201849284U (Lin) 1 June 2011 (01.06.2011), Abstract, and see Fig. 2, 3	1-18
Y	US 4,899,645 A (Wolfe et al.) 13 February 1990 (13.02.1990), Fig. 2, page 6, col. 2, lines 56-59	4, 14/4, 15/4, 16/(15/4), 17/(15/4) and 18/(15/4)
Y	US 6,224,479 B1 (Iino) 1 May 2001 (01.05.2001), Fig. 9(a), page 18, col. 8, lines 60-66; page 19, col. 9, lines 2-8 and lines 22-25	5, 14/5, 15/5, 16/(15/5), 17/(15/5) and 18/(15/5)
Y	US 5932147 A (Chen) 3 August 1999 (03.08.1999), Fig. 3, page 5, col. 3, lines 13-21, 40-42	10, 11
Y	US 7,982,126 B2 (MacFarlane) 19 July 2011 (07.19.2011), Fig. 2A-D, 8 and 9, page 14, col. 6, lines 1-67, page 15, col. 7, lines 1-67	16/(15/(1-3, 6-9)), 16/(15/4), 16/(15/5)
Y	US 4,739,153 A (Rendel et al.) 19 April 1998 (19.04.1998), Fig. 2, 3, 5, page 8, col. 8, lines 13-17; page 9, col. 9, lines 1-7	12, 13
Y	US 4,950,133 A (Sargent) 21 August 1990 (21.08.1990), Fig. 5-6, page 5, col. 4, lines 22-43	13
Y	US 2010/0175741 A1 (Thorne) 15 July 2010 (15.07.2010), Fig. 7A and 7B, page 10, [0039]	17/(15/(1-3, 6-9)), 17/(15/4), 17/(15/5)
Y	US 8,075,163 B2 (Xiao et al.) 13 December 2011 (13.12.2011), Fig. 2, 3, 5, page 8, col. 2, lines 25-47	18/(15/(1-3, 6-9)), 18/(15/4), 18/(15/5)

Further documents are listed in the continuation of Box C.

* Special categories of cited documents:

"A" document defining the general state of the art which is not considered to be of particular relevance	"T" later document published after the international filing date or priority date and not in conflict with the application but cited to understand the principle or theory underlying the invention
"E" earlier application or patent but published on or after the international filing date	"X" document of particular relevance: the claimed invention cannot be considered novel or cannot be considered to involve an inventive step when the document is taken alone
"L" document which may throw doubts on priority claim(s) or which is cited to establish the publication date of another citation or other special reason (as specified)	"Y" document of particular relevance: the claimed invention cannot be considered to involve an inventive step when the document is combined with one or more other such documents, such combination being obvious to a person skilled in the art
"O" document referring to an oral disclosure, use, exhibition or other means	"&" document member of the same patent family
"P" document published prior to the international filing date but later than the priority date claimed	

Date of the actual completion of the international search

03 August 2012 (03.08.2012)

Date of mailing of the international search report

04 SEP 2012

Name and mailing address of the ISA/US

Mail Stop PCT, Attn: ISA/US, Commissioner for Patents
P.O. Box 1450, Alexandria, Virginia 22313-1450

Facsimile No. 571-273-3201

Authorized officer:

Lee W. Young

PCT Helpdesk: 571-272-4300
PCT OSP: 571-272-7774