



US00D776843S

(12) **United States Design Patent**
McCabe et al.

(10) **Patent No.:** **US D776,843 S**

(45) **Date of Patent:** **** Jan. 17, 2017**

- (54) **VEHICLE FRONT HEADLAMP**
- (71) Applicant: **GM Global Technology Operations LLC**, Detroit, MI (US)
- (72) Inventors: **Steven M. McCabe**, Rochester Hills, MI (US); **Garrick Zack**, Troy, MI (US)
- (73) Assignee: **GM Global Technology Operations LLC**, Detroit, MI (US)
- (**) Term: **15 Years**
- (21) Appl. No.: **29/539,735**
- (22) Filed: **Sep. 17, 2015**
- (51) **LOC (10) Cl.** **26-06**
- (52) **U.S. Cl.**
USPC **D26/28**
- (58) **Field of Classification Search**
USPC D26/28-36; 362/61, 80-83, 267-269, 362/459-468, 475-478, 485-487
CPC F21S 48/00; F21S 48/10; F21S 48/115; F21S 48/225; F21S 48/1233; F21S 48/1266; F21S 48/1388; F21S 48/2268; F21V 5/00
See application file for complete search history.

- D605,978 S 12/2009 Wolff et al.
- D608,249 S 1/2010 Peters
- D608,690 S 1/2010 Folden et al.
- D608,691 S 1/2010 Zak, Jr. et al.
- D609,608 S 2/2010 Boniface et al.
- D611,387 S 3/2010 Thompson et al.
- D611,879 S 3/2010 Kim et al.
- D612,297 S 3/2010 Peters et al.
- D613,645 S 4/2010 Song et al.
- D615,458 S 5/2010 Thompson et al.
- D618,595 S 6/2010 Ware et al.
- D623,090 S 9/2010 Cox et al.
- D627,262 S 11/2010 Ikeda et al.
- D635,488 S 4/2011 Phipps
- D644,147 S 8/2011 Suh et al.
- D644,567 S 9/2011 Kozub
- D657,718 S 4/2012 Zipfel et al.
- D659,052 S 5/2012 Ware et al.
- D659,053 S 5/2012 Ware et al.
- D668,182 S 10/2012 Barba Franco
- D668,183 S 10/2012 Smart
- D678,820 S 3/2013 Son et al.
- D678,821 S 3/2013 Ikeda et al.
- D680,909 S 4/2013 Munson et al.
- D680,910 S 4/2013 David

(Continued)

Primary Examiner — Marcus Jackson
(74) *Attorney, Agent, or Firm* — Reising Ethington P.C.

(57) **CLAIM**

The ornamental design for a vehicle front headlamp, as shown and described.

(56) **References Cited**

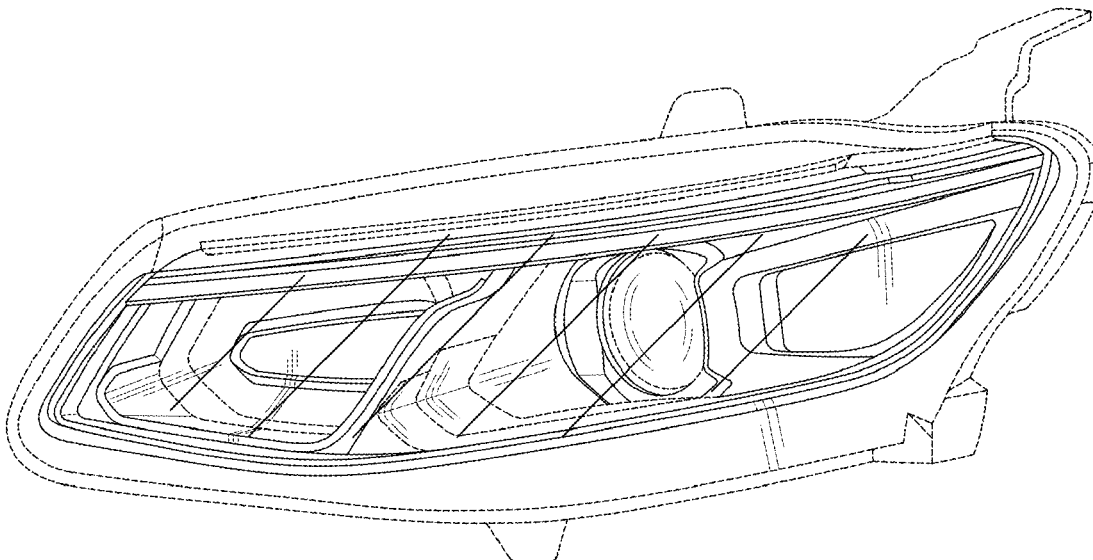
U.S. PATENT DOCUMENTS

- D570,742 S 6/2008 Takagi et al.
- D592,105 S 5/2009 Dean et al.
- D597,447 S 8/2009 Folden
- D600,595 S 9/2009 Nakamura et al.
- D601,925 S 10/2009 O'Donnell
- D603,755 S 11/2009 Peters
- D604,203 S 11/2009 O'Donnell
- D605,082 S 12/2009 Munson
- D605,083 S 12/2009 Manoogian, II et al.
- D605,977 S 12/2009 Zipfel et al.

DESCRIPTION

FIG. 1 is a perspective view of the vehicle front headlamp; FIG. 2 is a front view thereof; FIG. 3 is a top plan view thereof; and, FIG. 4 is a side elevation view thereof. In the drawings, the portions shown by broken lines form no part of the claimed design.

1 Claim, 2 Drawing Sheets



(56)

References Cited

U.S. PATENT DOCUMENTS

D684,899	S	6/2013	Baker	
D686,536	S	7/2013	McCabe et al.	
D692,798	S	11/2013	Thurber	
D692,799	S	11/2013	Smith et al.	
D696,157	S	12/2013	Loeb	
D699,629	S	2/2014	Ikeda et al.	
D700,871	S	3/2014	O'Donnell et al.	
D703,103	S	4/2014	Lee	
D704,103	S	5/2014	Mack et al.	
D705,132	S	5/2014	Ware et al.	
D705,466	S *	5/2014	Wada	D26/28
D705,699	S	5/2014	Ware et al.	
D709,631	S *	7/2014	Sato	D26/28
D713,298	S	9/2014	Dyson	
D713,764	S	9/2014	Ferlazzo	
D715,978	S *	10/2014	Loeb	D26/28
D716,696	S	11/2014	Thole et al.	
D716,706	S	11/2014	Thole et al.	
D716,709	S	11/2014	Thole et al.	
D717,696	S	11/2014	Thole et al.	
D718,189	S	11/2014	Krieg et al.	
D718,683	S	12/2014	Thole et al.	
D718,893	S *	12/2014	Lai	D26/28
D721,196	S *	1/2015	Lai	D26/28
D722,282	S	2/2015	Loeb	
D722,533	S	2/2015	Thole et al.	
D722,534	S	2/2015	Munson et al.	
D724,510	S	3/2015	McMahan et al.	
D725,001	S	3/2015	McMahan et al.	
D730,776	S	6/2015	Smart	
D730,783	S	6/2015	Henriques et al.	
D732,435	S	6/2015	Mackay	
D735,627	S	8/2015	Smith et al.	
D736,451	S	8/2015	Smith	

* cited by examiner

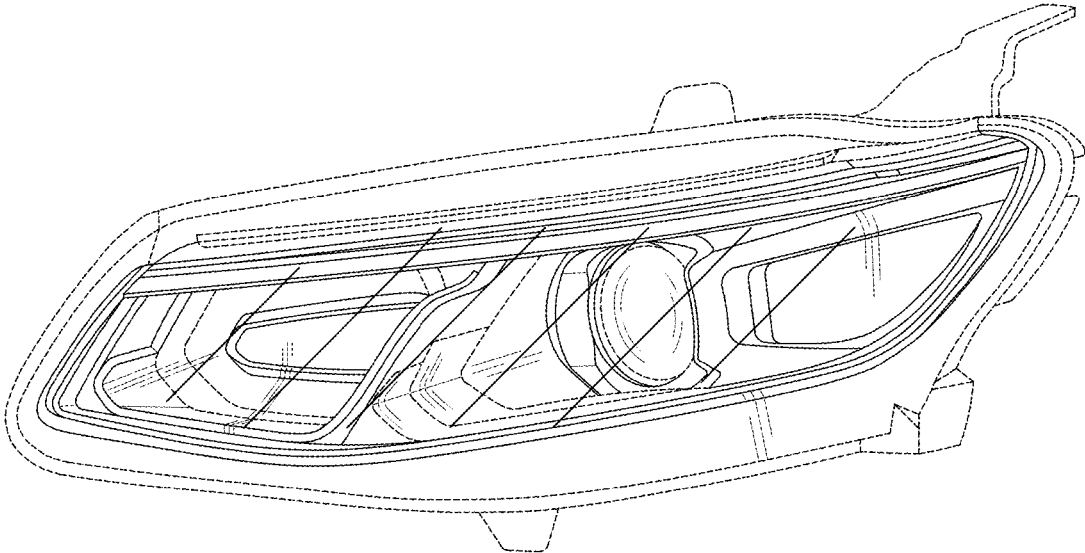


Fig. 1

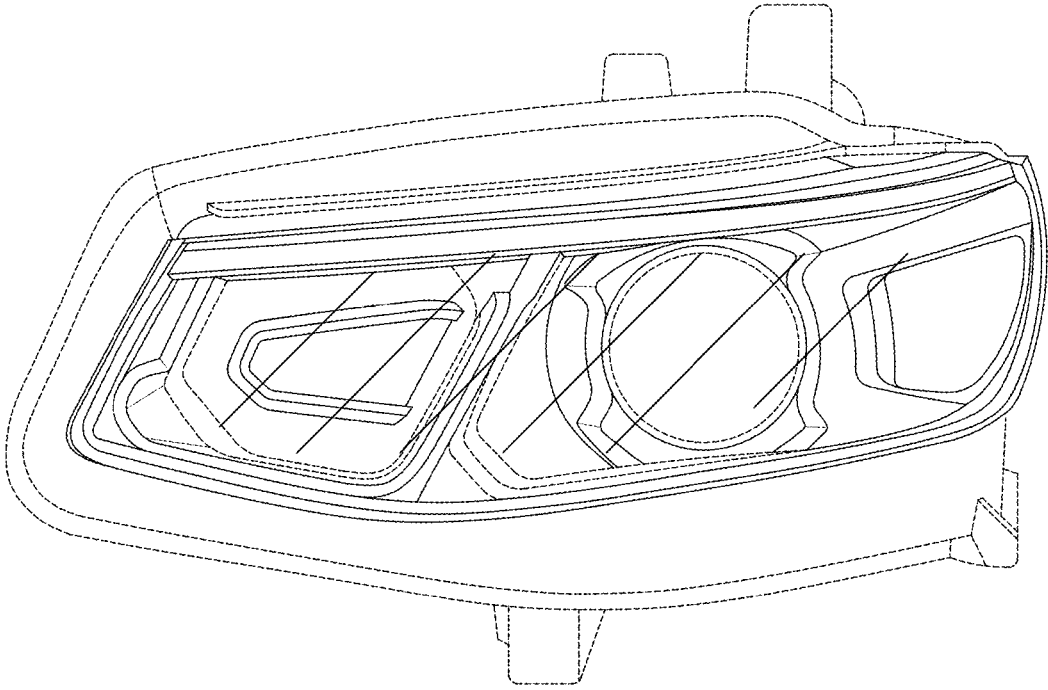


Fig. 2

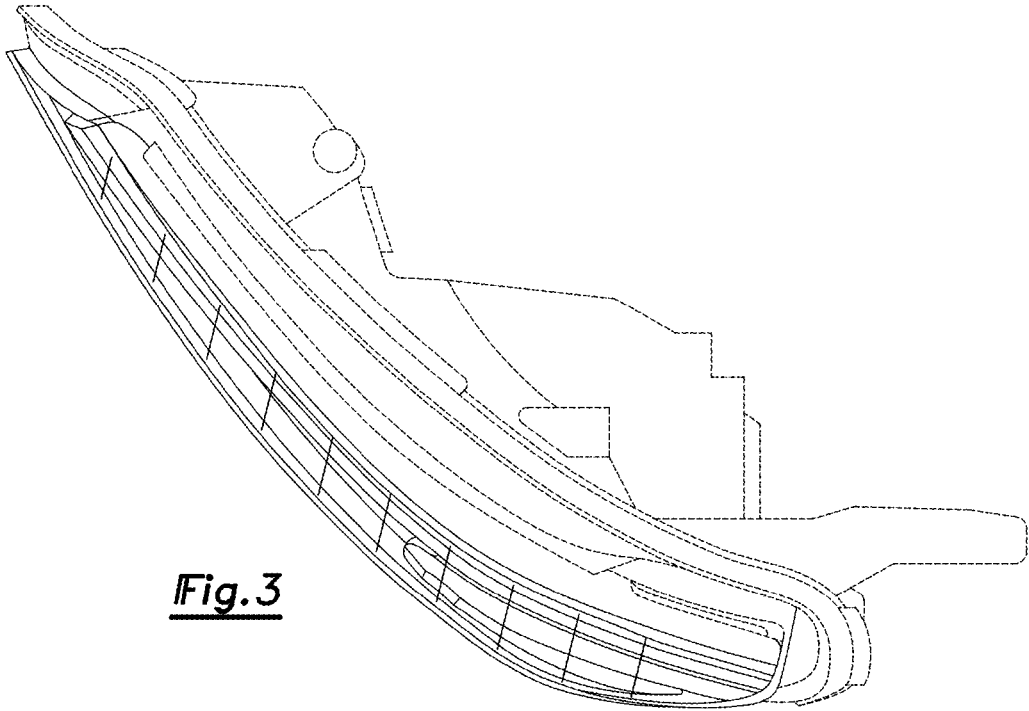


Fig. 3

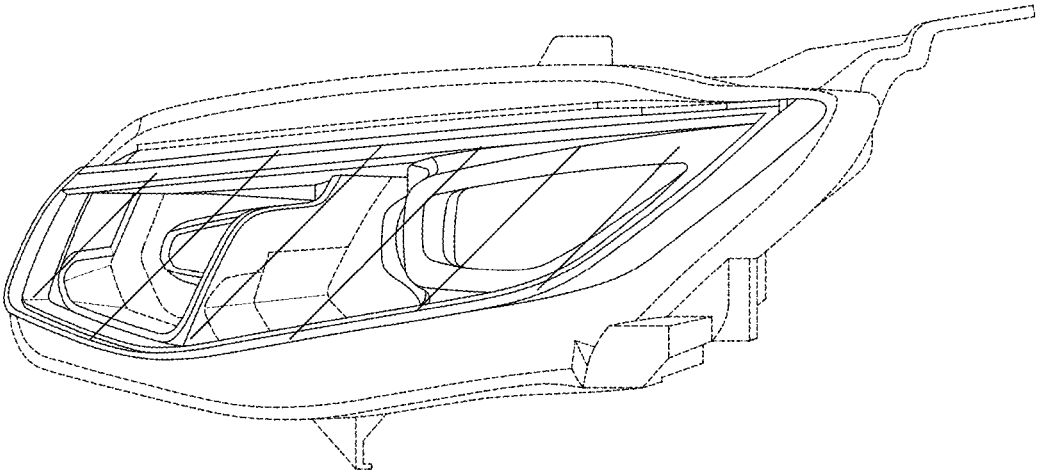


Fig. 4