



US00D744329S

(12) **United States Design Patent**
Ambelang et al.

(10) **Patent No.:** **US D744,329 S**

(45) **Date of Patent:** **** Dec. 1, 2015**

(54) **FOOD CONTAINER**

(71) Applicant: **NatureSweet, Ltd.**, San Antonio, TX (US)

(72) Inventors: **Bryant P. Ambelang**, San Antonio, TX (US); **J. Michael Joergensen**, San Antonio, TX (US); **David C. Shaver**, Kingsbury, TX (US); **Emilio Fuentes**, Zapopan (MX); **Keith Kandt**, San Antonio, TX (US)

(73) Assignee: **NatureSweet, Ltd.**, San Antonio, TX (US)

(**) Term: **14 Years**

(21) Appl. No.: **29/477,511**

(22) Filed: **Dec. 23, 2013**

(51) **LOC (10) Cl.** **09-03**

(52) **U.S. Cl.**
USPC **D9/425**

(58) **Field of Classification Search**

USPC D9/414, 415, 416, 417, 419, 421, 424, D9/425, 428, 429; D7/318, 319, 619.1, D7/629; 229/400-406, 906.1; 220/656-659, 669-675, 912, 220/4.21-4.27; 206/553, 557, 541, 775, 206/776, 217
CPC A47J 36/06; A47J 47/14; B65D 1/165; B65D 15/08; B65D 21/083; B65D 21/0234; B65D 43/162; B65D 71/50; B65D 77/24; B65D 81/3869; B65D 2543/00046; B65D 2543/00055; B65D 2543/00083; B65D 2543/00092; B65D 2543/00296

See application file for complete search history.

(56) **References Cited**

U.S. PATENT DOCUMENTS

D361,035 S * 8/1995 Krupa D9/424
D394,807 S * 6/1998 Krupa et al. D9/429

D409,085 S * 5/1999 Wyslotosky et al. D9/425
D409,910 S * 5/1999 Hayes et al. D9/429
D439,160 S * 3/2001 Abayhan et al. D9/429
D444,382 S * 7/2001 Hayes et al. D9/452
D488,718 S * 4/2004 Passerini D9/425
D581,266 S * 11/2008 Vovan D9/429
7,823,746 B1 * 11/2010 McCumber 220/780
D628,472 S * 12/2010 Strange et al. D9/425
D628,478 S 12/2010 Snedden et al.
D628,479 S 12/2010 Snedden et al.
D637,483 S * 5/2011 Snedden et al. D9/425

(Continued)

Primary Examiner — Karen S Acker

Assistant Examiner — Wendy Arminio

(74) *Attorney, Agent, or Firm* — Norton Rose Fulbright US LLP

(57) **CLAIM**

The ornamental design for a food container, as shown and described.

DESCRIPTION

FIG. 1 is a front perspective view of a first embodiment of a food container. The base of the container of the first embodiment is opaque;

FIG. 2 is a front elevation view thereof;

FIG. 3 is a back elevation view thereof;

FIG. 4 is a right elevation view thereof;

FIG. 5 is a left elevation view thereof;

FIG. 6 is a top plan view thereof;

FIG. 7 is a bottom plan view thereof.

FIG. 8 is a front perspective view of a second embodiment of a food container. The base of the container of the second embodiment is transparent;

FIG. 9 is a front elevation view thereof;

FIG. 10 is a back elevation view thereof;

FIG. 11 is a right elevation view thereof;

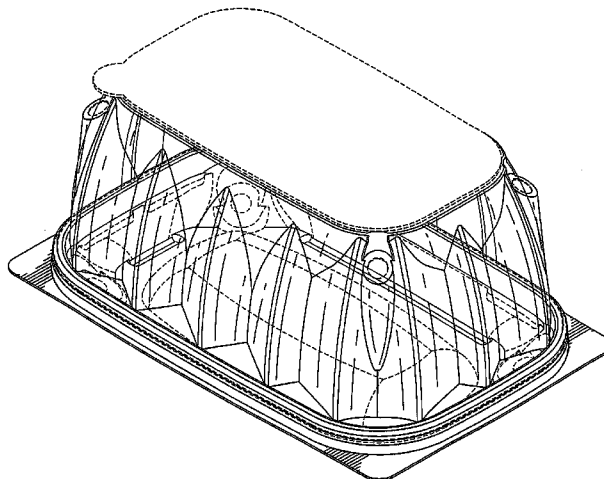
FIG. 12 is a left elevation view thereof;

FIG. 13 is a top plan view thereof; and,

FIG. 14 is a bottom plan view thereof.

The broken lines depict portions of the food container that form no part of the claimed design.

1 Claim, 14 Drawing Sheets



(56)

References Cited

U.S. PATENT DOCUMENTS

D640,550 S	6/2011	Snedden et al.		D671,408 S *	11/2012	Golota et al.	D9/434
D653,452 S *	2/2012	Chang	D3/304	D672,231 S	12/2012	Snedden et al.	
D660,144 S	5/2012	Shaver et al.		D673,447 S *	1/2013	Freeman et al.	D9/424
D668,537 S *	10/2012	Sanfilippo	D9/425	D690,194 S *	9/2013	Snedden et al.	D9/425
				D722,496 S *	2/2015	Ambelang et al.	D9/424
				2003/0062365 A1 *	4/2003	Krueger		220/4.24
				2009/0145900 A1 *	6/2009	Maroofian et al.	220/200

* cited by examiner

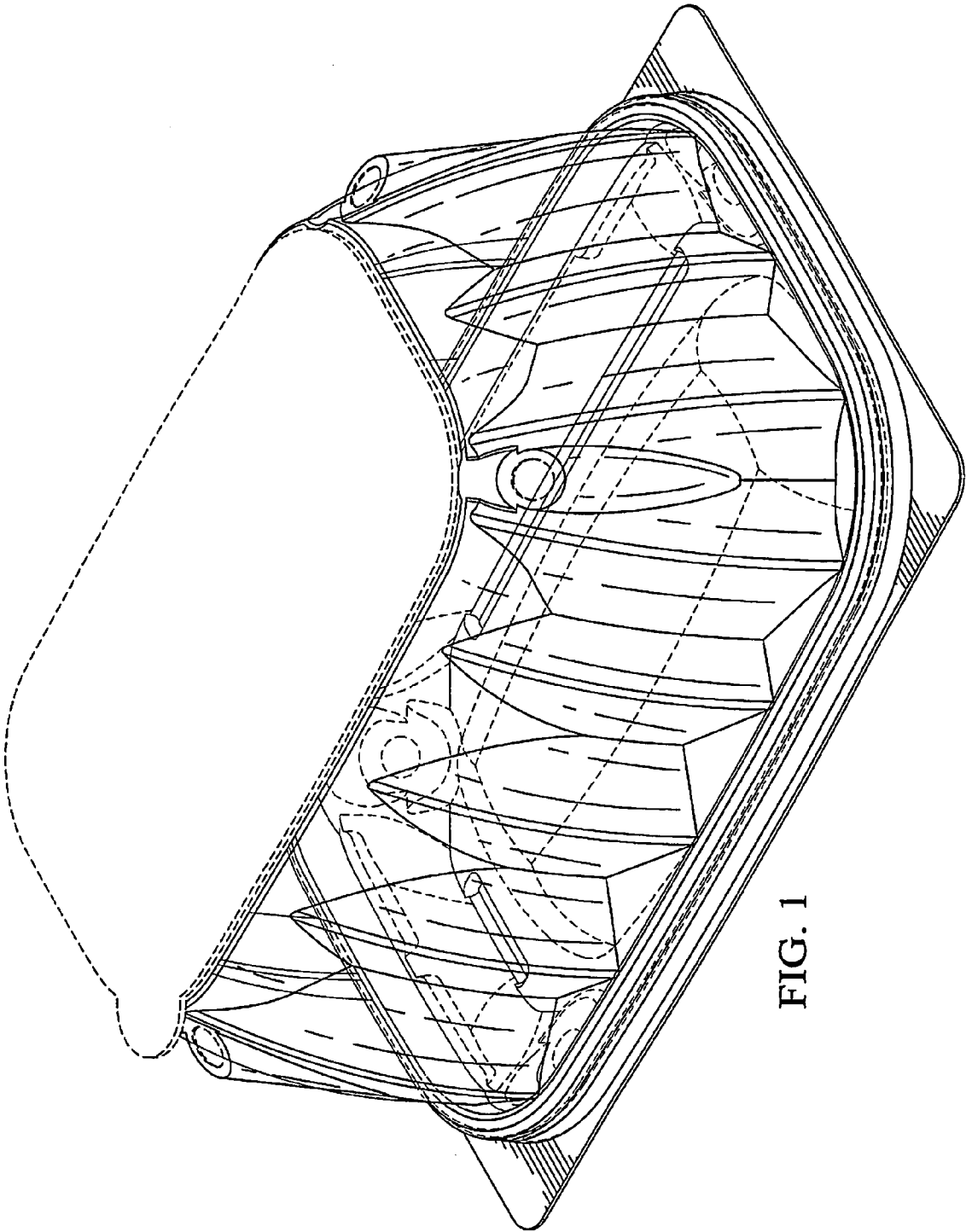


FIG. 1

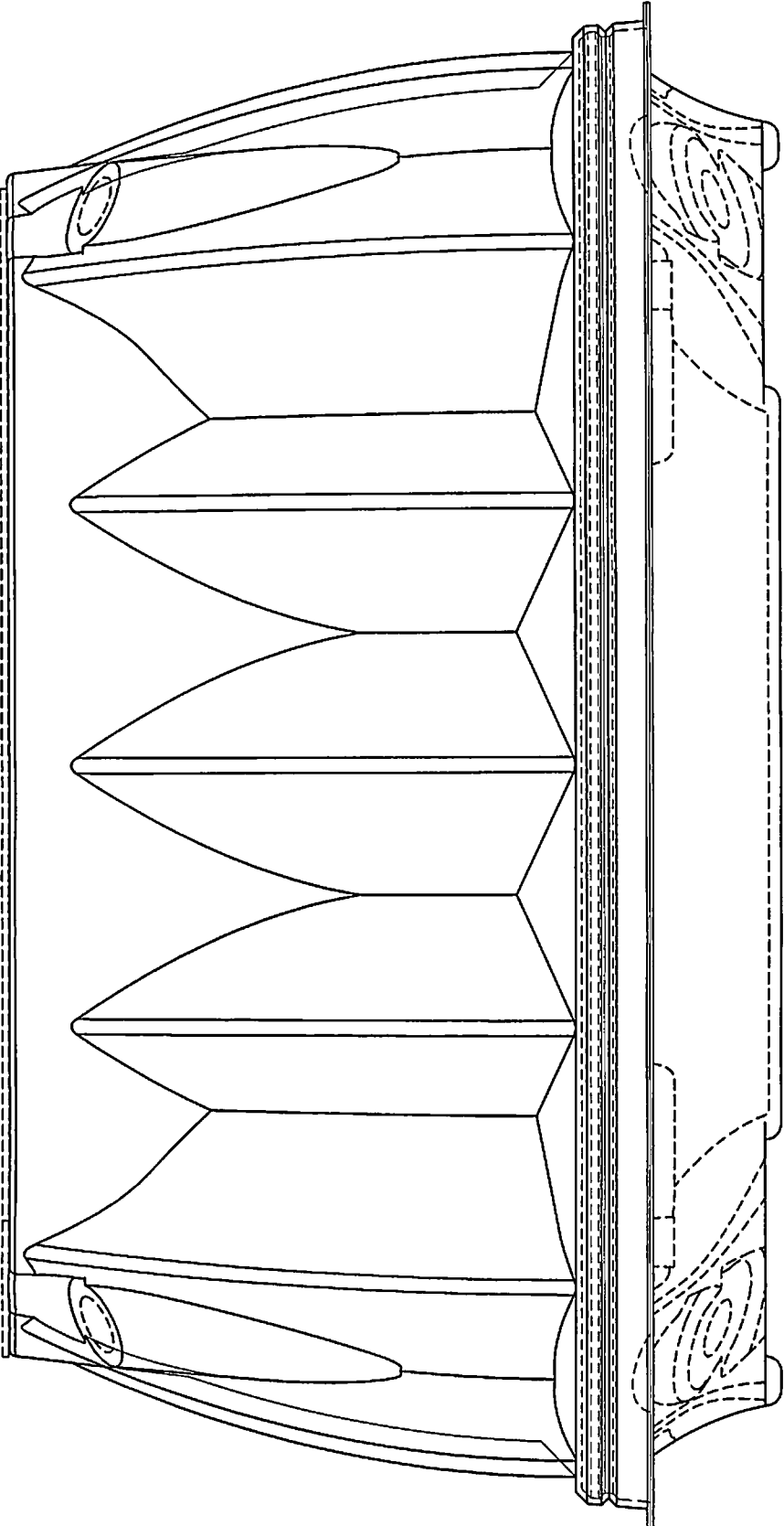


FIG. 2

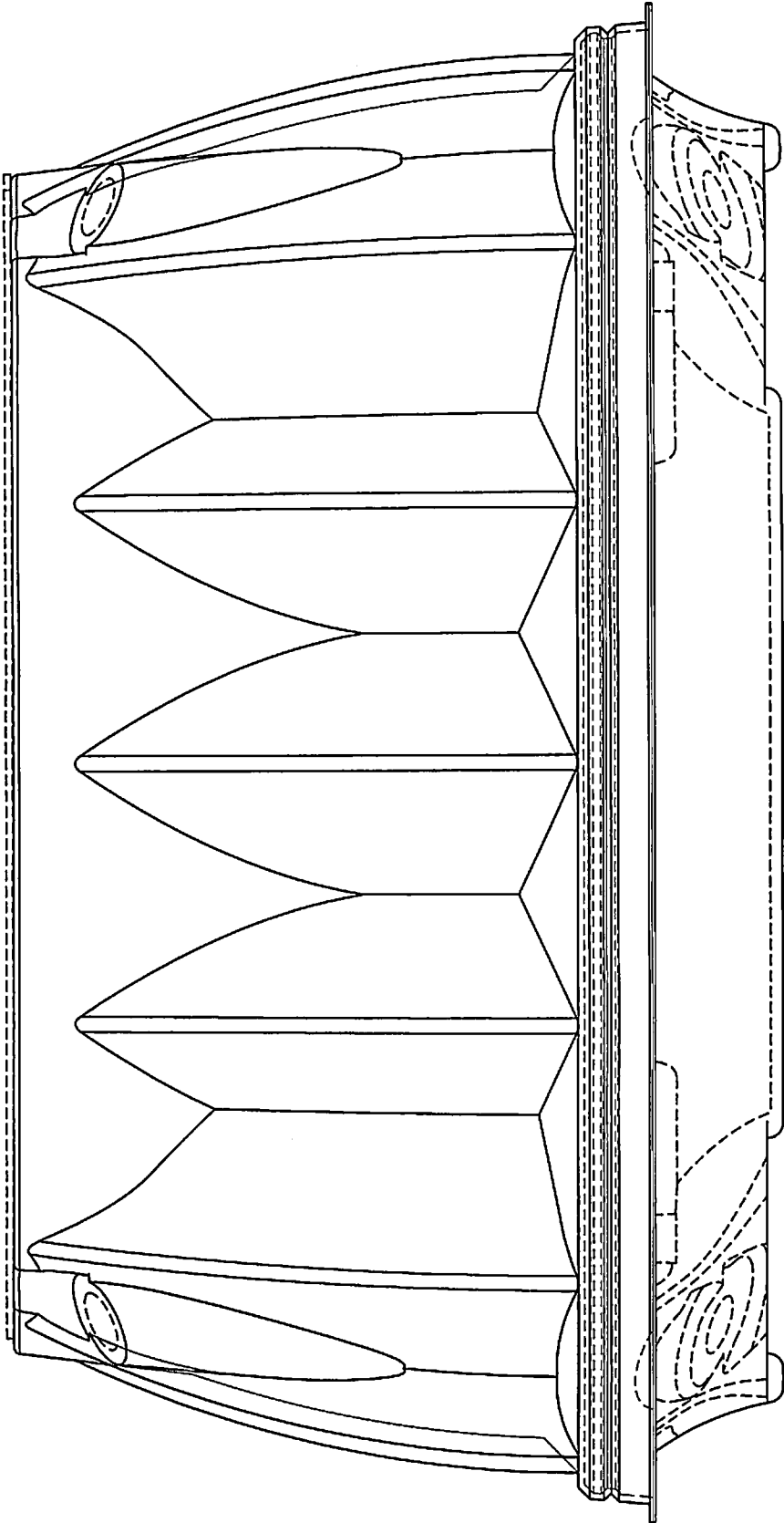


FIG. 3

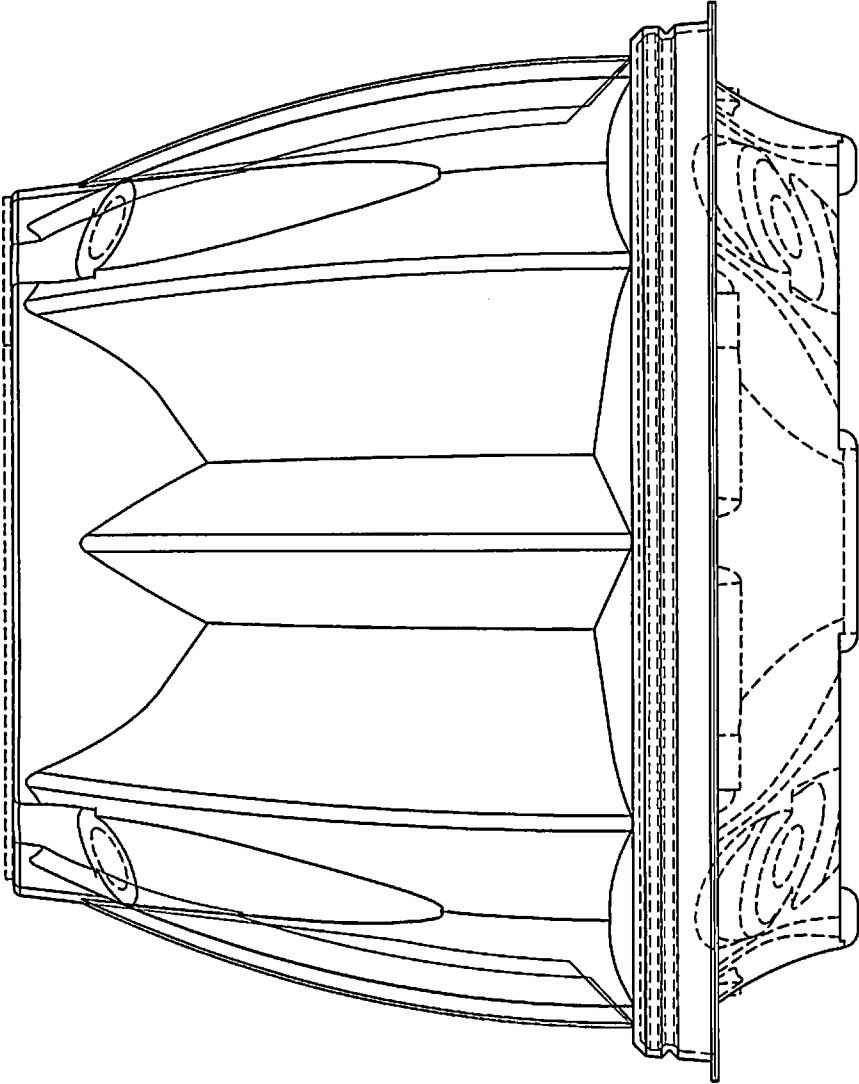


FIG. 4

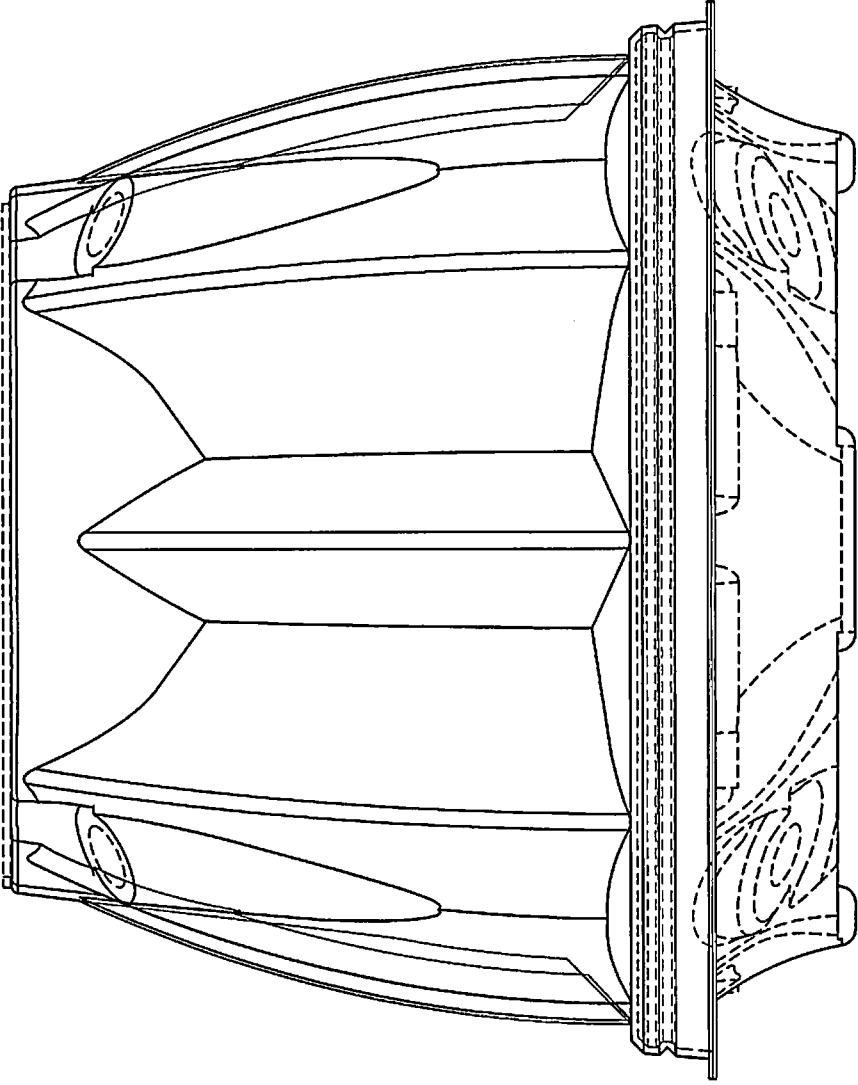


FIG. 5

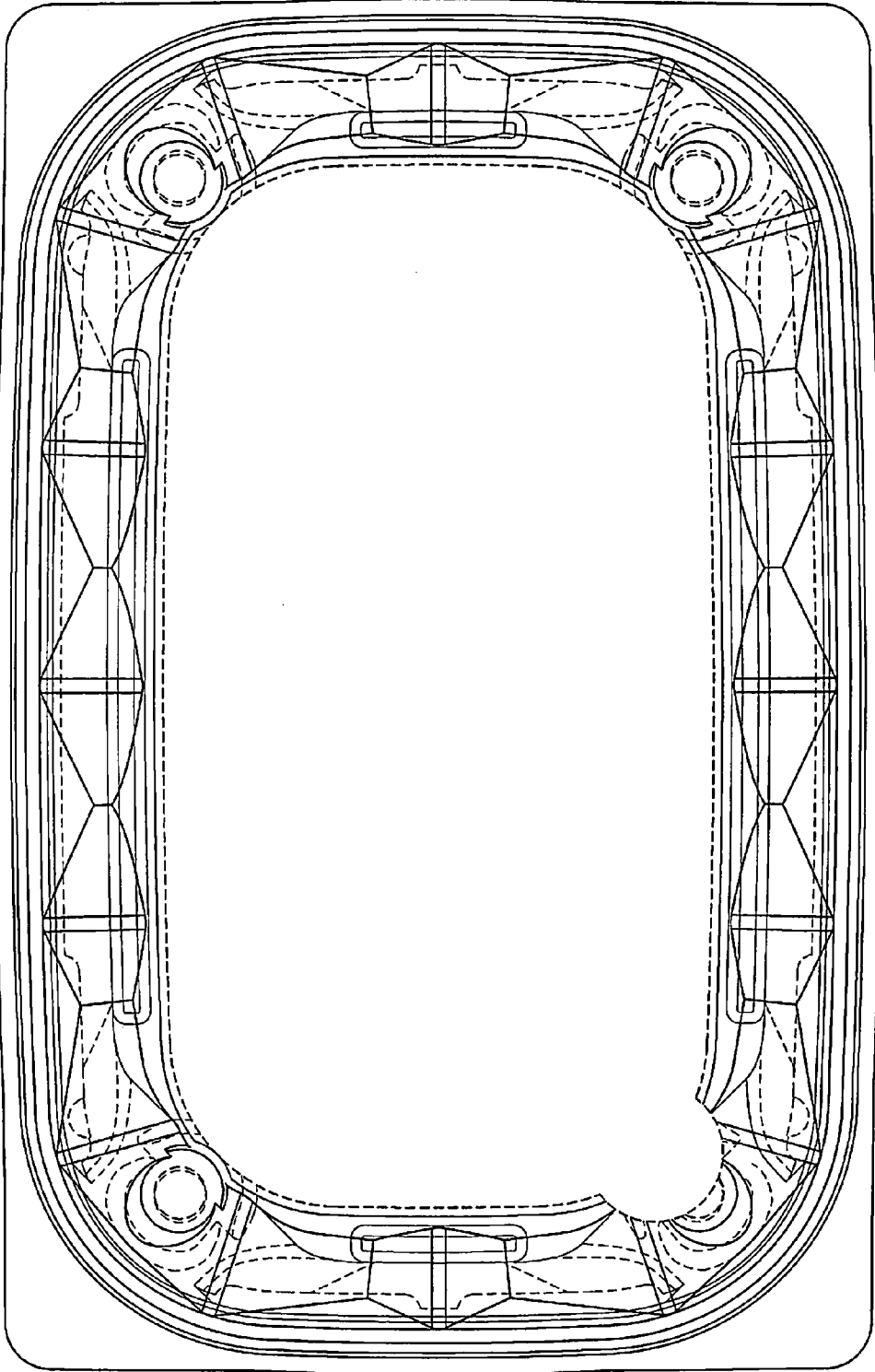


FIG. 6

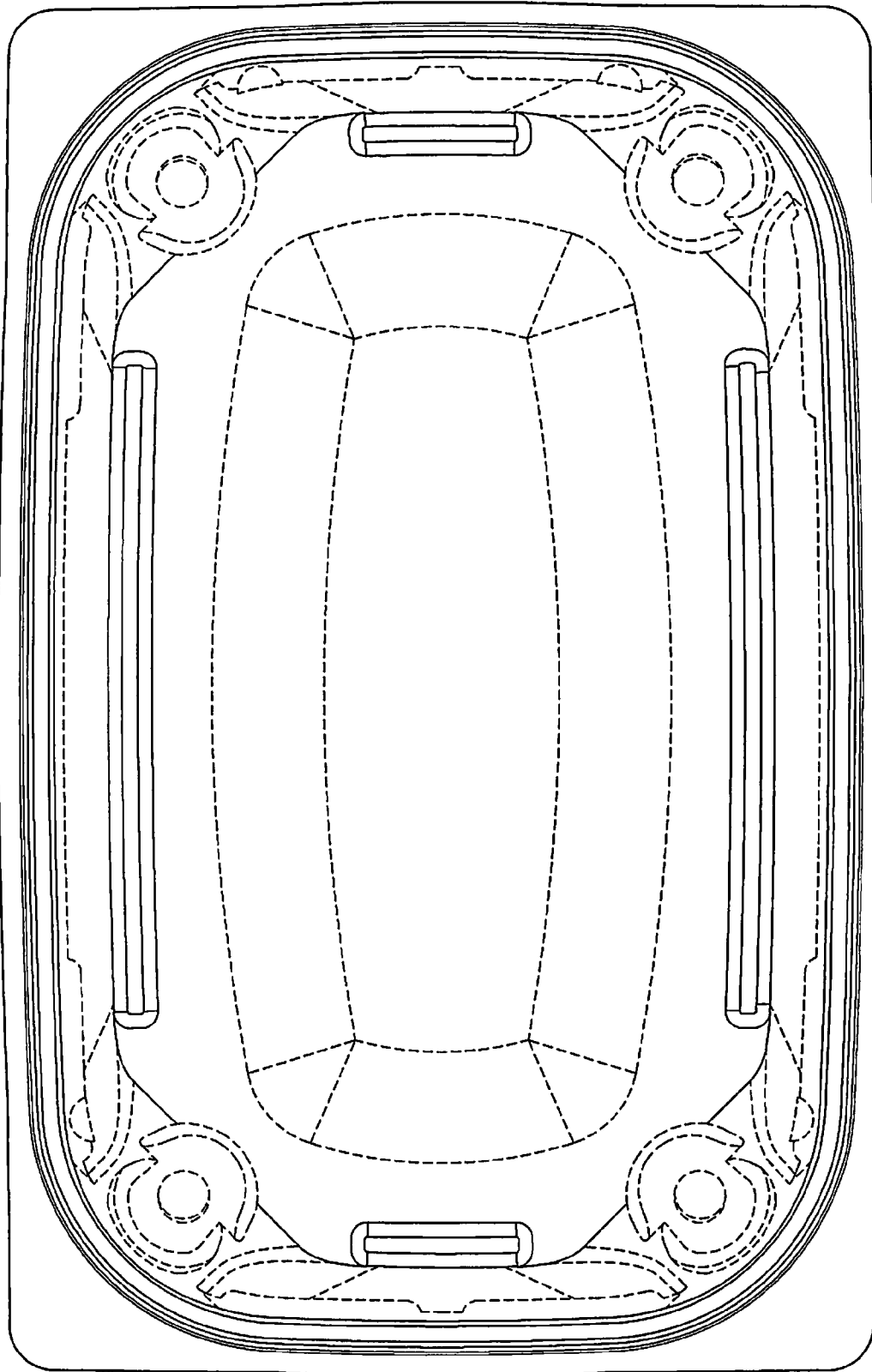


FIG. 7

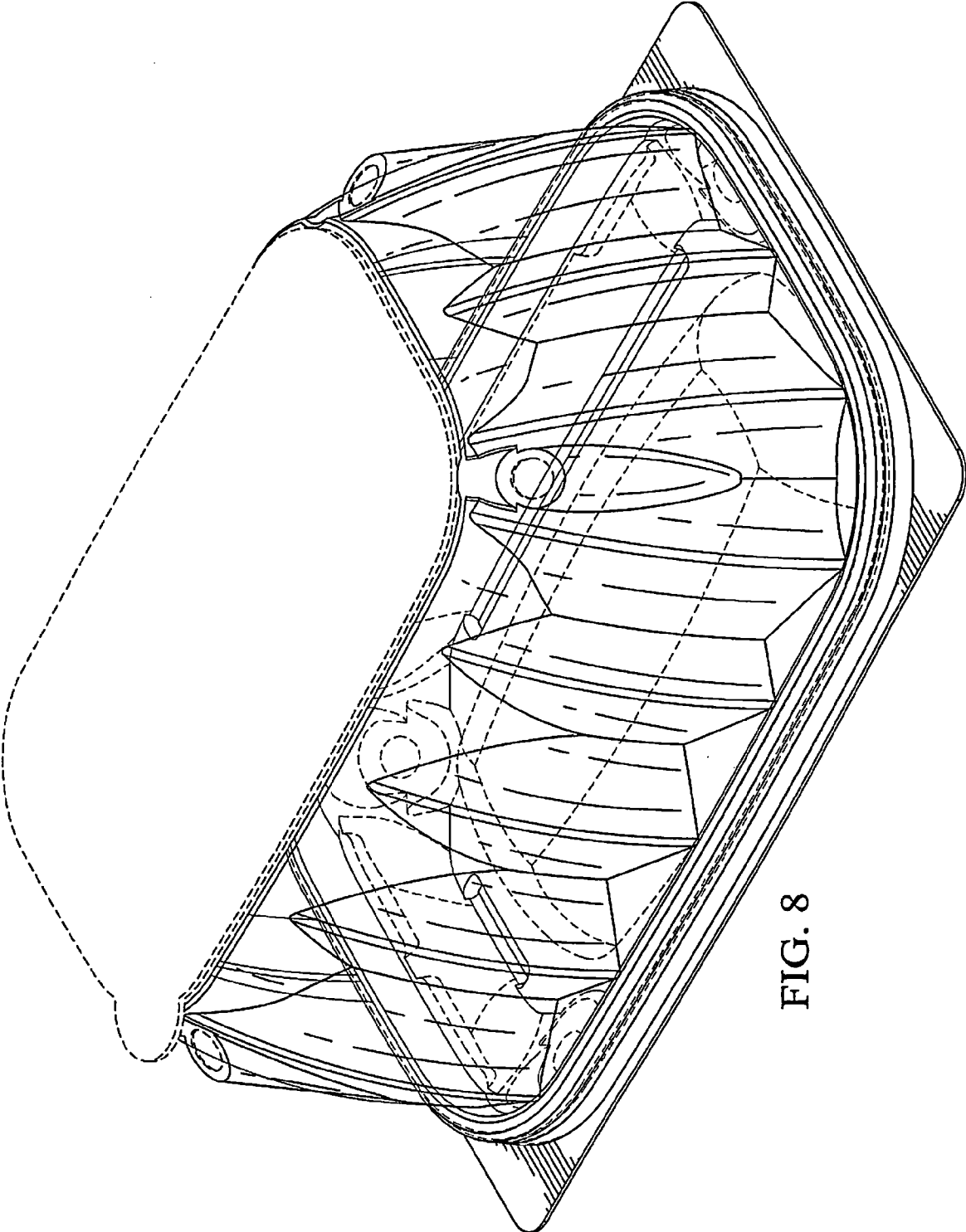


FIG. 8

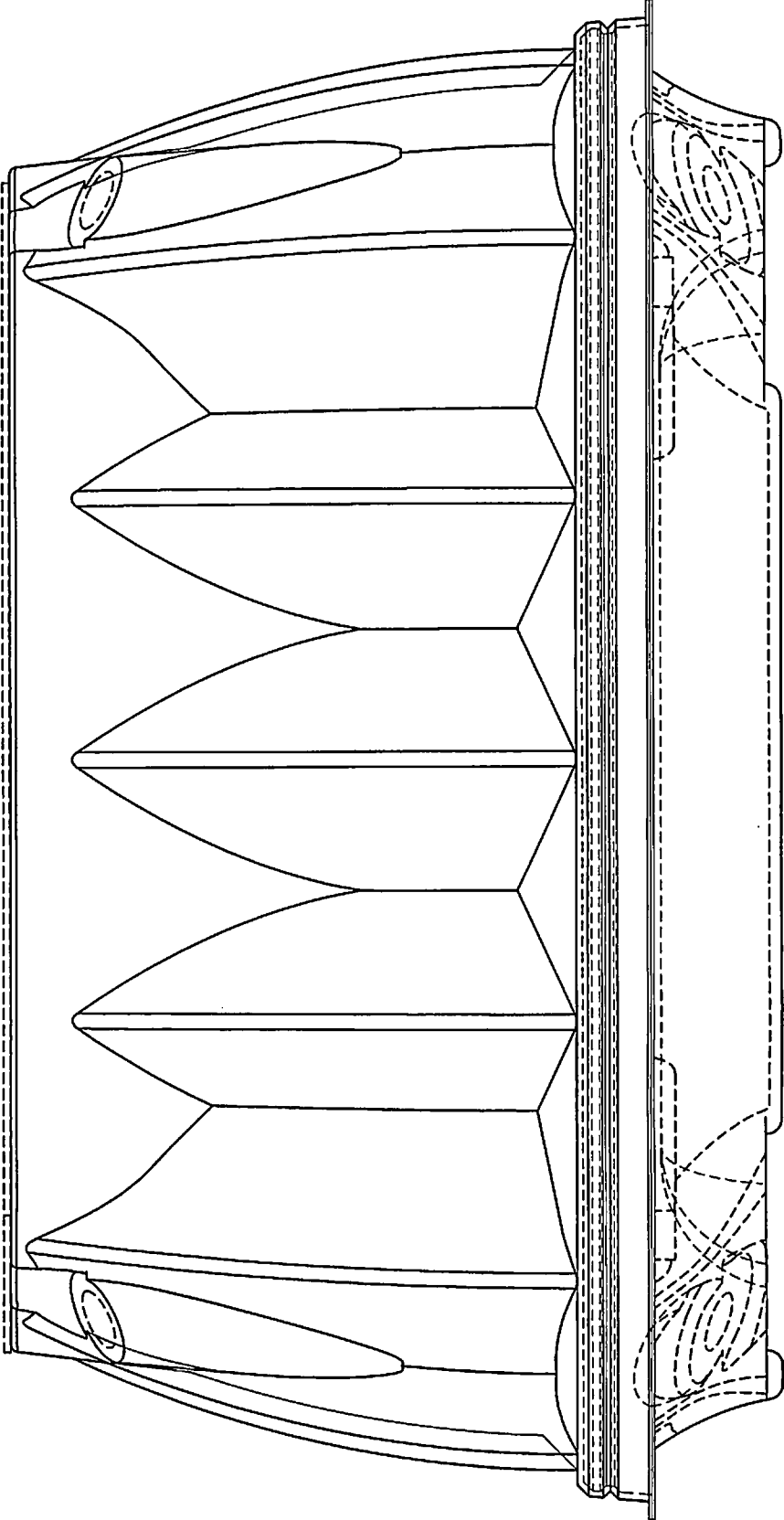


FIG. 9

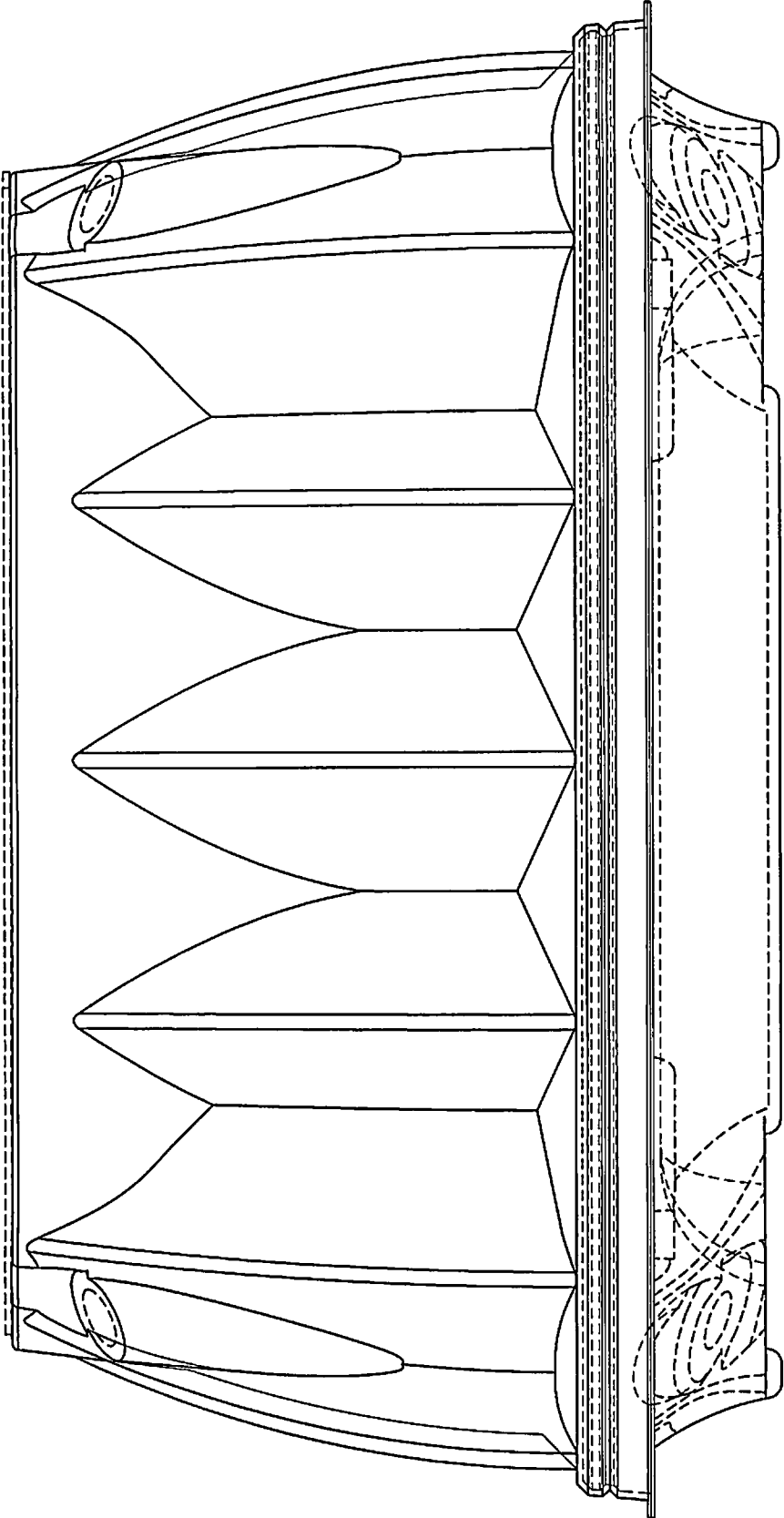


FIG. 10

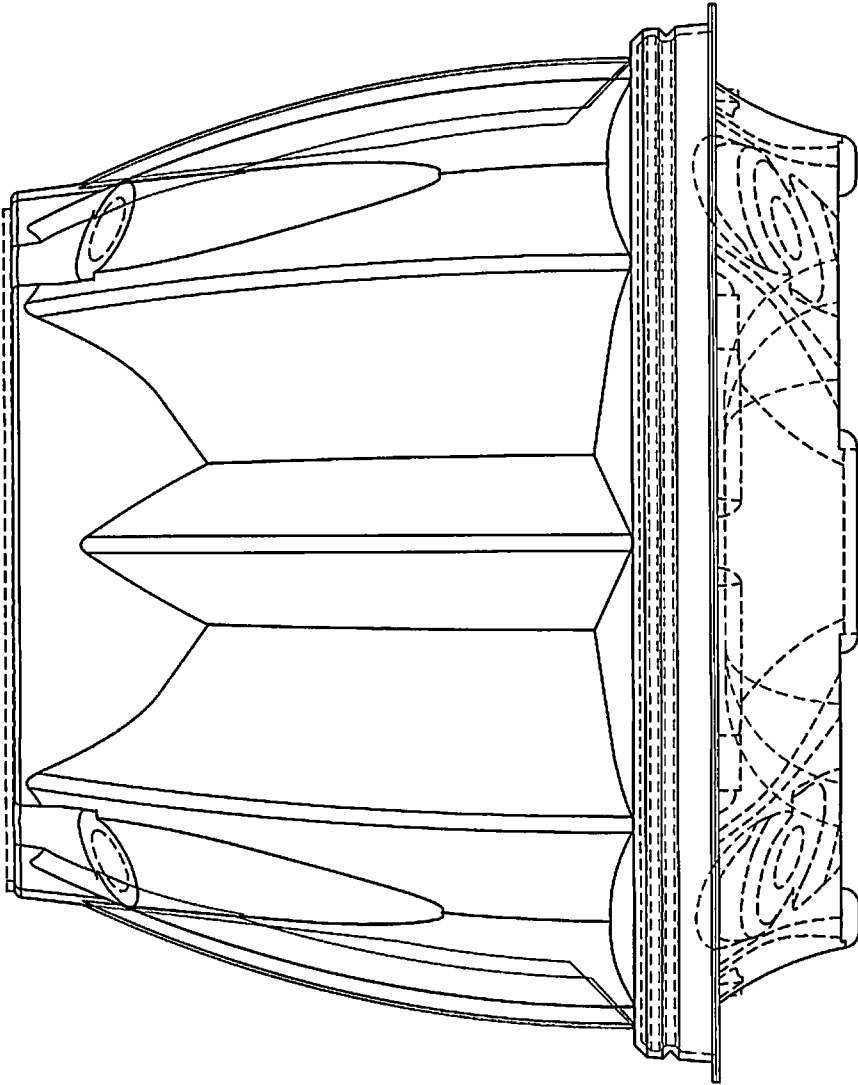


FIG. 11

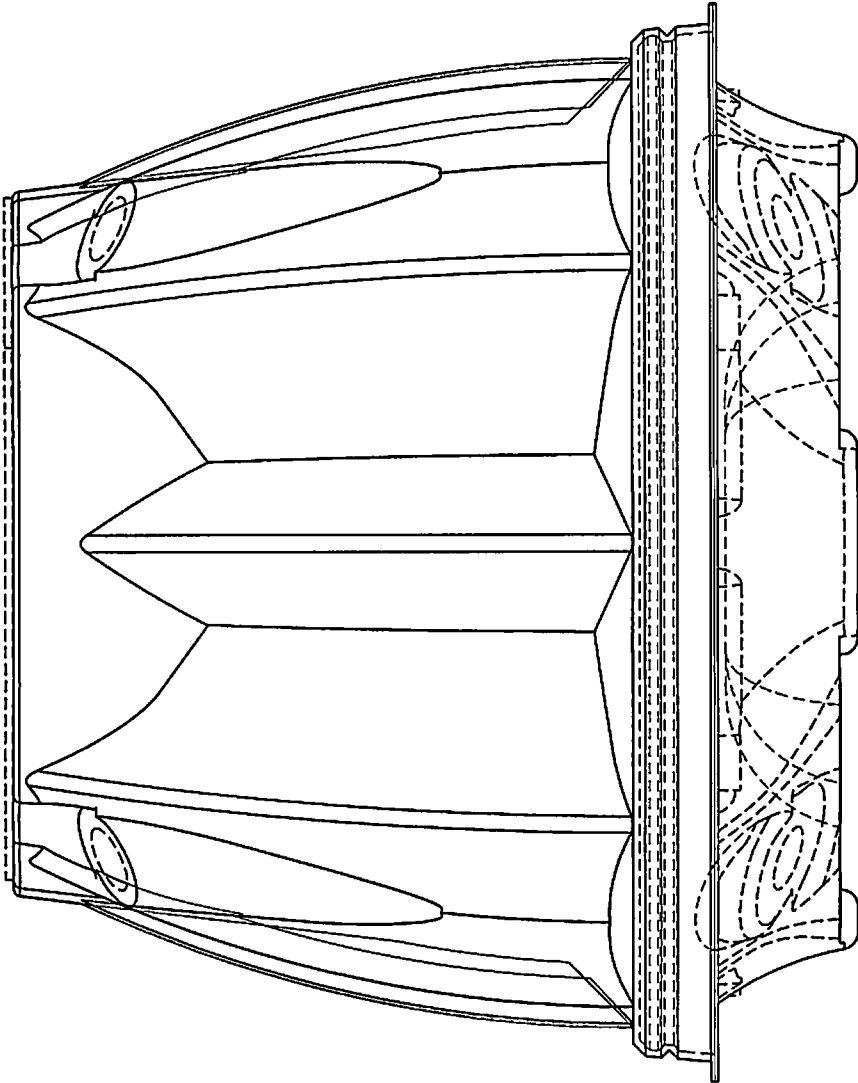


FIG. 12

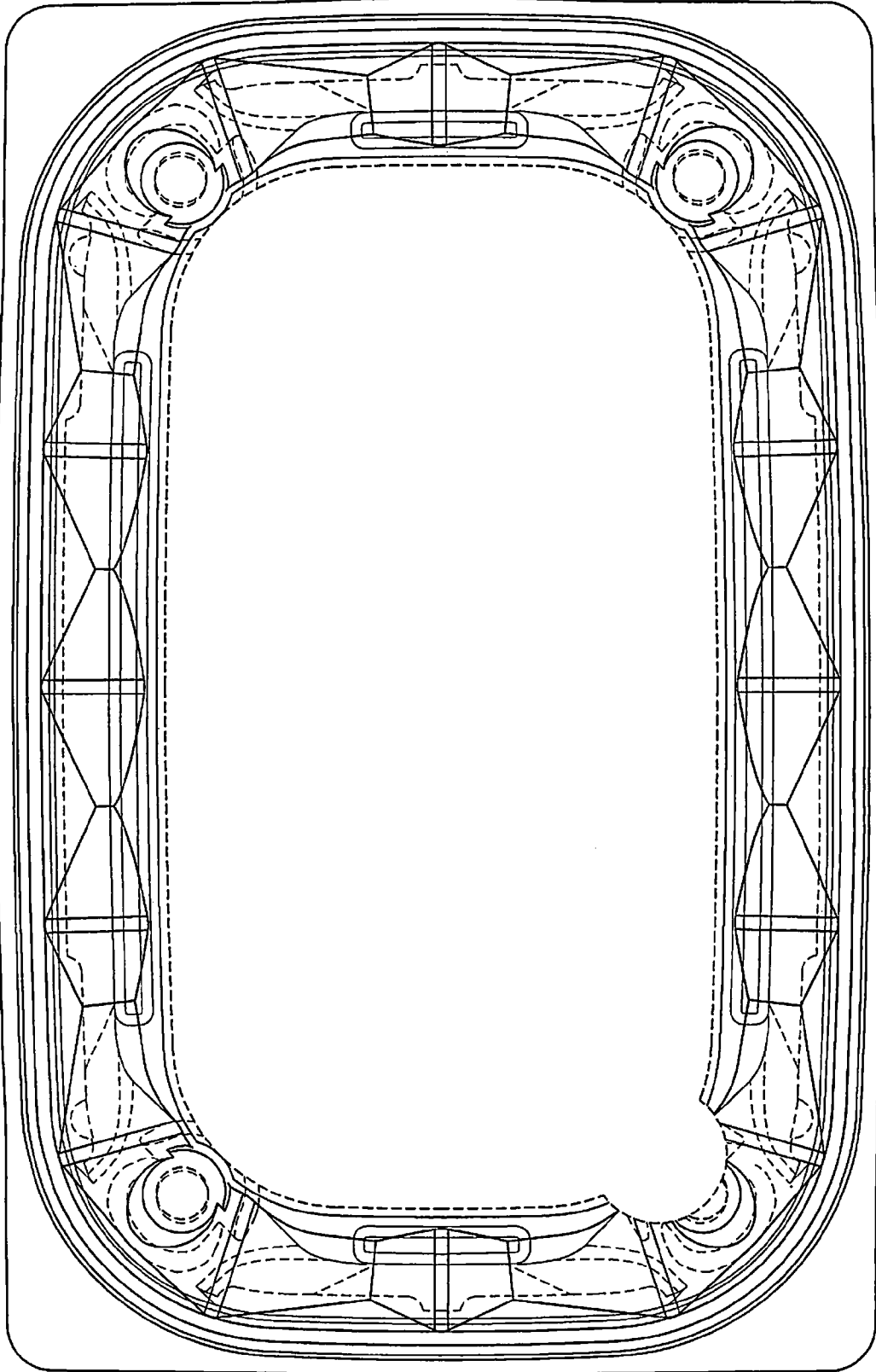


FIG. 13

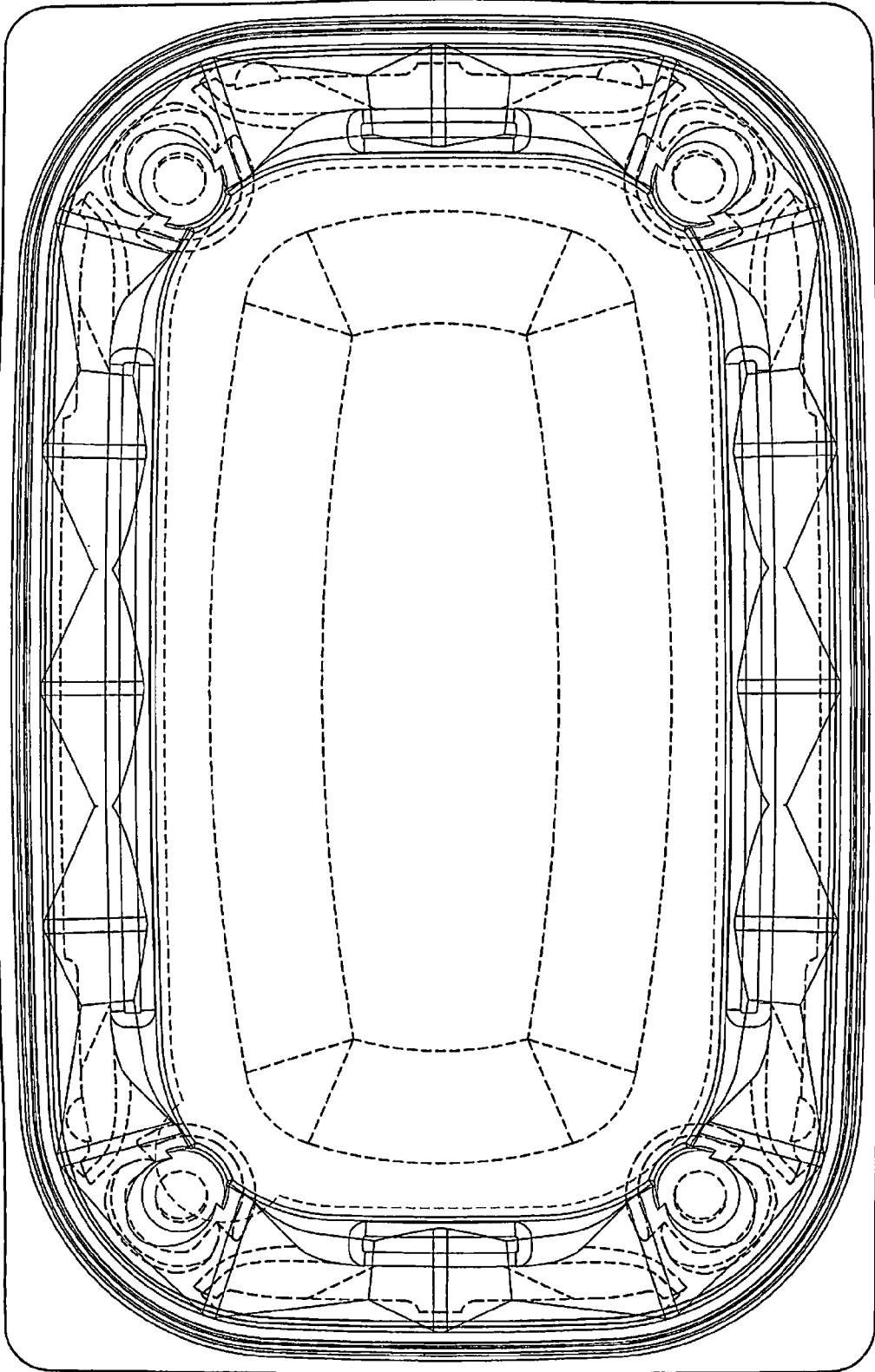


FIG. 14