

(19) World Intellectual Property
Organization
International Bureau



(43) International Publication Date
4 December 2003 (04.12.2003)

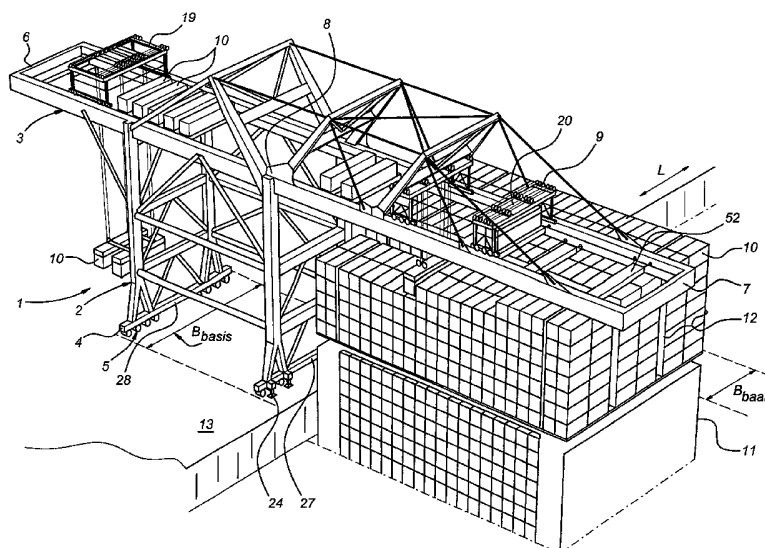
PCT

(10) International Publication Number
WO 2003/099700 A3

- (51) International Patent Classification⁷: **B66C 19/00**, 23/80
- (21) International Application Number: PCT/NL2003/000390
- (22) International Filing Date: 26 May 2003 (26.05.2003)
- (25) Filing Language: Dutch
- (26) Publication Language: English
- (30) Priority Data: 1020675 24 May 2002 (24.05.2002) NL
- (71) Applicant (for all designated States except US): **TECHNISCHE UNIVERSITEIT DELFT** [NL/NL]; P.O. Box 5, NL-2600 AA Delft (NL).
- (72) Inventors; and
- (75) Inventors/Applicants (for US only): **LUTTEKES, Evert** [NL/NL]; Esdoornlaan 8, NL-1829 HG Ouddorp (NL). **RIJSENBRIJ, Joannes, Cornelis** [NL/NL]; Warmoeskade 61, NL-2771 NE Boskoop (NL).
- (74) Agents: **VAN WESTENBRUGGE, Andries** et al.; Nederlandsch Octrooibureau, Scheveningseweg 82, P.O. Box 29720, NL-2502 LS The Hague (NL).
- (81) Designated States (national): AE, AG, AL, AM, AT, AU, AZ, BA, BB, BG, BR, BY, BZ, CA, CH, CN, CO, CR, CU, CZ, DE, DK, DM, DZ, EC, EE, ES, FI, GB, GD, GE, GH, GM, HR, HU, ID, IL, IN, IS, JP, KE, KG, KP, KR, KZ, LC, LK, LR, LS, LT, LU, LV, MA, MD, MG, MK, MN, MW, MX, MZ, NI, NO, NZ, OM, PH, PL, PT, RO, RU, SC, SD, SE, SG, SK, SL, TJ, TM, TN, TR, TT, TZ, UA, UG, US, UZ, VC, VN, YU, ZA, ZM, ZW.
- (84) Designated States (regional): ARIPO patent (GH, GM, KE, LS, MW, MZ, SD, SL, SZ, TZ, UG, ZM, ZW), Eurasian patent (AM, AZ, BY, KG, KZ, MD, RU, TJ, TM), European patent (AT, BE, BG, CH, CY, CZ, DE, DK, EE, ES, FI, FR, GB, GR, HU, IE, IT, LU, MC, NL, PT, RO, SE, SI, SK, TR), OAPI patent (BF, BJ, CF, CG, CI, CM, GA, GN, GQ, GW, ML, MR, NE, SN, TD, TG).
- Published:
— with international search report
- (88) Date of publication of the international search report:
12 February 2004

[Continued on next page]

(54) Title: GANTRY CRANE



(57) Abstract: Portal crane (1) for loading and/or unloading a ship having a multiplicity of bays for containers (10) comprising a gantry (2) with travelling gear (5) for supporting the gantry on a quay (13), a boom supported by the gantry made up of a horizontal beam (6) and a jib (7) that during loading and/or unloading is an extension of the beam, and at least one crab (9) that can be driven along the jib, with hoisting means (20) for the containers. The gantry, viewed in the horizontal transverse direction of the jib, has a base width at the level of the quay. The hoisting means, viewed in this direction, can move along the crab over a traversing distance and the following relationship applies: $2 \times B_{\text{bay}} \leq 2 \times B_{\text{base}} + T$, where: T =traversing distance, B_{bay} =bay width, B_{base} =base width. Also disclosed is a combination of two such cranes as well as the use of such a crane.

WO 2003/099700 A3



For two-letter codes and other abbreviations, refer to the "Guidance Notes on Codes and Abbreviations" appearing at the beginning of each regular issue of the PCT Gazette.

INTERNATIONAL SEARCH REPORT

PCT/NL 03/00390

A. CLASSIFICATION OF SUBJECT MATTER

IPC 7 B66C19/00 B66C23/80

According to International Patent Classification (IPC) or to both national classification and IPC

B. FIELDS SEARCHED

Minimum documentation searched (classification system followed by classification symbols)

IPC 7 B66C

Documentation searched other than minimum documentation to the extent that such documents are included in the fields searched

Electronic data base consulted during the international search (name of data base and, where practical, search terms used)

EPO-Internal

C. DOCUMENTS CONSIDERED TO BE RELEVANT

Category °	Citation of document, with indication, where appropriate, of the relevant passages	Relevant to claim No.
X	EP 0 318 264 A (HANAFIN DANIEL A) 31 May 1989 (1989-05-31)	1-5,8, 13-15,17
Y	the whole document	9,10,16
Y	--- DE 197 26 359 A (NOELL STAHL UND MASCHINENBAU G) 24 December 1998 (1998-12-24) the whole document	9,10,16
A	--- WO 01 25131 A (RIJSENBRIJ JOANNES CORNELIS ;LUTTEKES EVERT (NL); UNIV DELFT TECH) 12 April 2001 (2001-04-12) cited in the application abstract figure 1	1,11, 13-17
	--- -/--	



Further documents are listed in the continuation of box C.



Patent family members are listed in annex.

° Special categories of cited documents :

- "A" document defining the general state of the art which is not considered to be of particular relevance
- "E" earlier document but published on or after the international filing date
- "L" document which may throw doubts on priority claim(s) or which is cited to establish the publication date of another citation or other special reason (as specified)
- "O" document referring to an oral disclosure, use, exhibition or other means
- "P" document published prior to the international filing date but later than the priority date claimed

- "T" later document published after the international filing date or priority date and not in conflict with the application but cited to understand the principle or theory underlying the invention
- "X" document of particular relevance; the claimed invention cannot be considered novel or cannot be considered to involve an inventive step when the document is taken alone
- "Y" document of particular relevance; the claimed invention cannot be considered to involve an inventive step when the document is combined with one or more other such documents, such combination being obvious to a person skilled in the art.
- "&" document member of the same patent family

Date of the actual completion of the international search

18 November 2003

Date of mailing of the international search report

26.11.2003

Name and mailing address of the ISA

European Patent Office, P.B. 5818 Patentlaan 2
NL - 2280 HV Rijswijk
Tel. (+31-70) 340-2040, Tx. 31 651 epo nl,
Fax: (+31-70) 340-3016

Authorized officer

Sheppard, B

INTERNATIONAL SEARCH REPORT

PCT/NL 03/00390

C.(Continuation) DOCUMENTS CONSIDERED TO BE RELEVANT		
Category °	Citation of document, with indication, where appropriate, of the relevant passages	Relevant to claim No.
A	PARKES L R: "Container Handling for International Traffic" THE RAILWAY GAZETTE, vol. 123, no. 5, 3 March 1967 (1967-03-03), pages 186-187, XP002228051 see section along line A-A -----	1
A	US 3 583 572 A (TAX HANS) 8 June 1971 (1971-06-08) abstract column 2, line 10 - line 66 figures 1-4 -----	12

INTERNATIONAL SEARCH REPORT

Information on patent family members

PCT/NL 03/00390

Patent document cited in search report		Publication date	Patent family member(s)	Publication date
EP 0318264	A	31-05-1989	IE 873194 L	24-05-1989
			AU 2580388 A	25-05-1989
			EP 0318264 A1	31-05-1989
			JP 1162698 A	27-06-1989

DE 19726359	A	24-12-1998	DE 19726359 A1	24-12-1998

WO 0125131	A	12-04-2001	NL 1013120 C2	23-03-2001
			AU 7970500 A	10-05-2001
			WO 0125131 A1	12-04-2001

US 3583572	A	08-06-1971	NONE	
