



US00D618296S

(12) **United States Design Patent**
Gill et al.

(10) **Patent No.:** **US D618,296 S**

(45) **Date of Patent:** **** Jun. 22, 2010**

(54) **GOLF GRIP**

(75) Inventors: **David Keith Gill**, Pinehurst, NC (US);
Billy Dee Wood, Whispering Pines, NC
(US); **Richard Andrew Black**,
Pinebluff, NC (US)

(73) Assignee: **Eaton Corporation**, Cleveland, OH
(US)

(**) Term: **14 Years**

(21) Appl. No.: **29/314,989**

(22) Filed: **May 15, 2009**

(51) **LOC (9) Cl.** **21-02**

(52) **U.S. Cl.** **D21/756**

(58) **Field of Classification Search** D21/756-757;
473/300-303

See application file for complete search history.

(56) **References Cited**

U.S. PATENT DOCUMENTS

D235,900	S	*	7/1975	Spencer	D21/756
D336,322	S	*	6/1993	Poincenot et al.	D21/756
D463,520	S	*	9/2002	Ulrich	D21/756
6,656,054	B2	*	12/2003	Ulrich	473/300
D502,750	S	*	3/2005	Chen	D21/756
D534,602	S		1/2007	Norton et al.	D21/756
D534,603	S		1/2007	Norton et al.	D21/756
D534,604	S		1/2007	Norton et al.	D21/756

(Continued)

OTHER PUBLICATIONS

U.S. Appl. No. 29/301,984, filed Mar. 26, 2008, Entitled Golf Grip.

(Continued)

Primary Examiner—Mitchell I Siegel

(74) Attorney, Agent, or Firm—Daniel S. Kalka

(57) **CLAIM**

The ornamental design for a golf grip, substantially as shown and described.

DESCRIPTION

FIG. 1 is a perspective view of the golf grip design;

FIG. 2 is an enlarged fragmented perspective view of the top portion of FIG. 1;

FIG. 3 is an enlarged fragmented perspective view of the middle portion of FIG. 1;

FIG. 4 is a front elevational view of FIG. 1;

FIG. 5 is an enlarged fragmented front elevational view of the top portion of FIG. 4;

FIG. 6 is an enlarged fragmented front elevational view of the middle portion of FIG. 4;

FIG. 7 is a left side elevational view of FIG. 1;

FIG. 8 is an enlarged fragmented left side elevational view of the top portion of FIG. 7;

FIG. 9 is an enlarged fragmented left side elevational view of the lower portion of FIG. 7;

FIG. 10 is a right side elevational view of FIG. 1;

FIG. 11 is an enlarged fragmented right side elevational view of the top portion of FIG. 10;

FIG. 12 is an enlarged fragmented right side elevational view of the lower portion of FIG. 10;

FIG. 13 is a rear elevational view of FIG. 1;

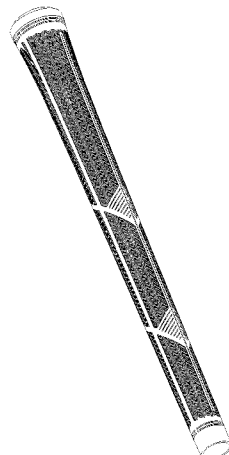
FIG. 14 is an enlarged fragmented rear elevational view of the top portion of FIG. 13;

FIG. 15 is an enlarged fragmented rear elevational view of the lower portion of FIG. 13;

FIG. 16 is a top plan view of FIG. 1; and,

FIG. 17 is an enlarged fragmented elevation view of FIG. 1.

1 Claim, 6 Drawing Sheets



U.S. PATENT DOCUMENTS

D534,605 S	1/2007	Norton et al.	D21/756
D534,606 S	1/2007	Norton et al.	D21/756
D534,607 S	1/2007	Norton et al.	D21/756
D534,975 S	1/2007	Norton et al.	D21/756
D536,048 S	1/2007	Chen	D21/756
D538,868 S	3/2007	Norton et al.	D21/756
D538,869 S	3/2007	Wang et al.	D21/756
D554,723 S *	11/2007	Savasky	D21/756
D554,724 S	11/2007	Savasky	D21/756
D556,847 S	12/2007	DeVaney	D21/756
D562,923 S	2/2008	DeVaney et al.	D21/756
D562,924 S *	2/2008	DeVaney et al.	D21/756
D564,610 S	3/2008	Chen	D21/756
D584,781 S *	1/2009	Chen	D21/756
D592,262 S	5/2009	DeVaney et al.	D21/756
D592,263 S	5/2009	DeVaney et al.	D21/756
D592,264 S	5/2009	DeVaney et al.	D21/756

D592,265 S	5/2009	DeVaney et al.	D21/756
D592,266 S	5/2009	DeVaney et al.	D21/756
D592,267 S	5/2009	DeVaney et al.	D21/756
D593,172 S	5/2009	Gill et al.	D21/756
D603,921 S *	11/2009	Gill et al.	D21/756

OTHER PUBLICATIONS

- U.S. Appl. No. 29/301,987, filed Mar. 26, 2008, Entitled Golf Grip.
- U.S. Appl. No. 29/301,985, filed Mar. 26, 2008, Entitled Golf Grip.
- U.S. Appl. No. 29/301,986, filed Mar. 26, 2008, Entitled Golf Grip.
- U.S. Appl. No. 29/310,091, filed Jul. 25, 2008, Entitled Golf Grip.
- U.S. Appl. No. 29/314,989, filed May 15, 2009, Entitled Slip-On Grip.
- U.S. Appl. No. 29/312,730, filed Nov. 11, 2008, Entitled Fruit and Vine Golf Grip.
- U.S. Appl. No. 29/313,243, filed Dec. 18, 2008, Entitled Slip-On Grip.

* cited by examiner

Fig. 1

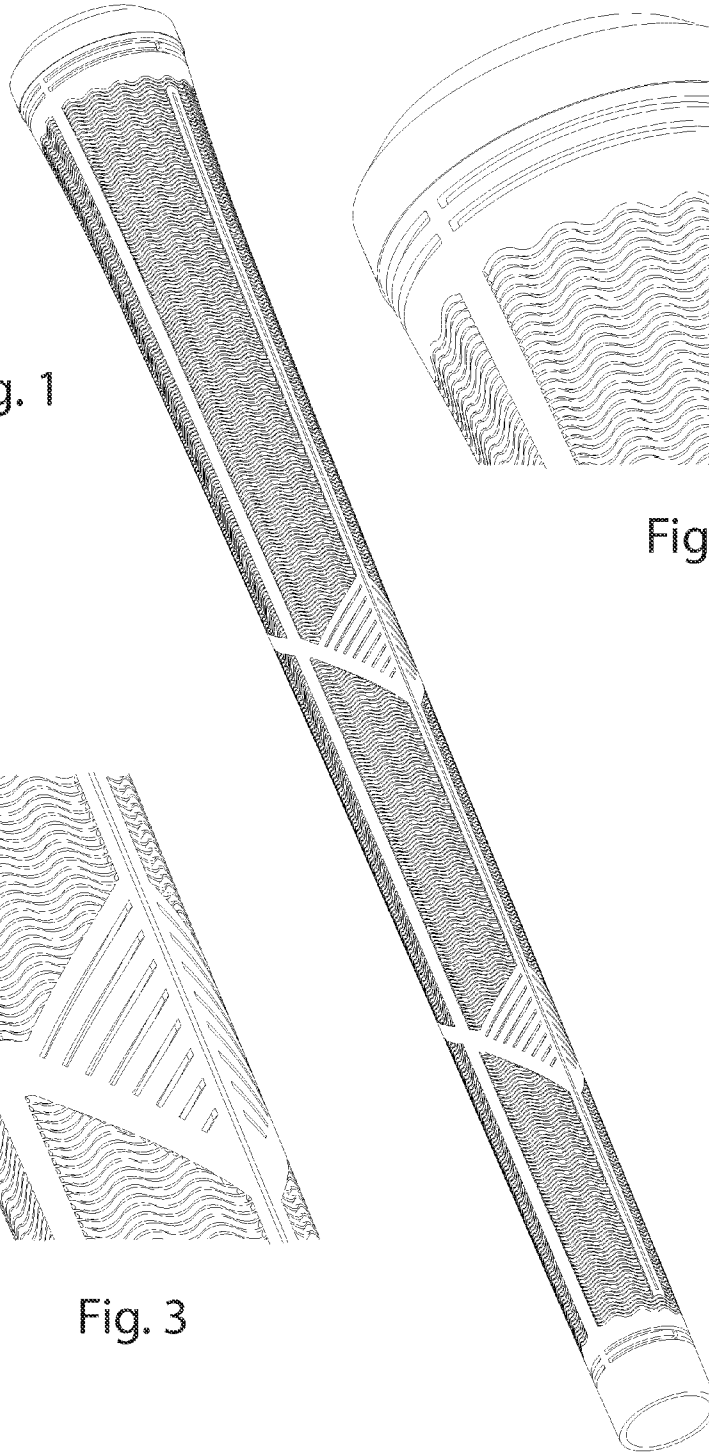


Fig. 2

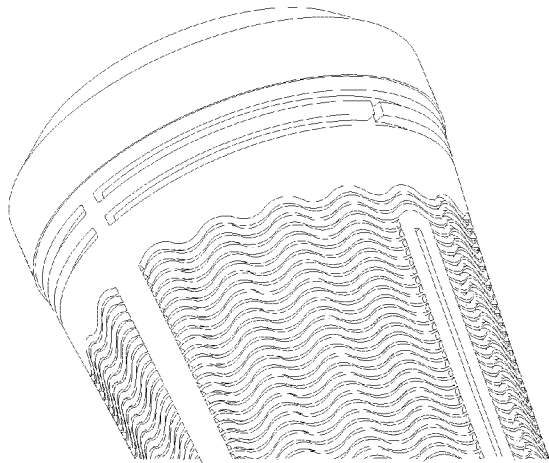
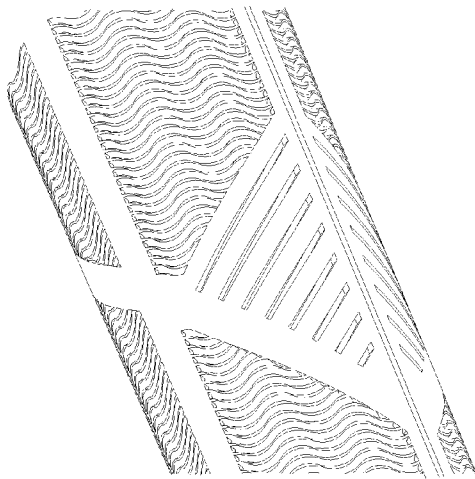


Fig. 3



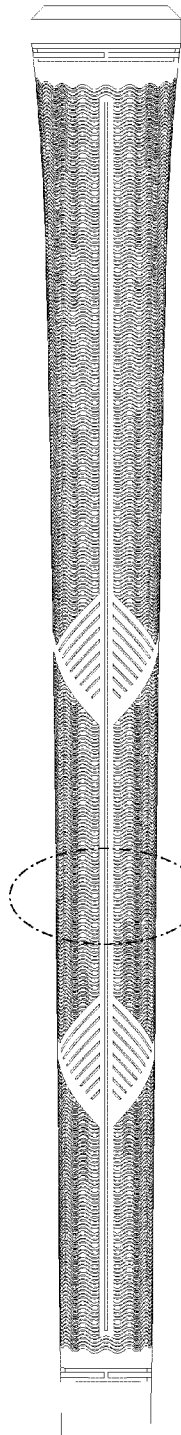


Fig. 4

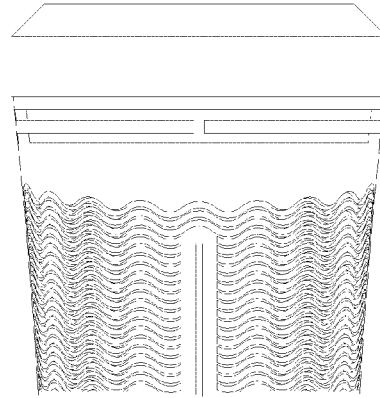


Fig. 5

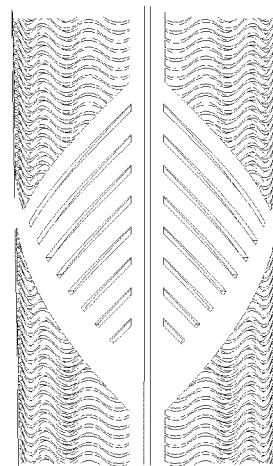


Fig. 6

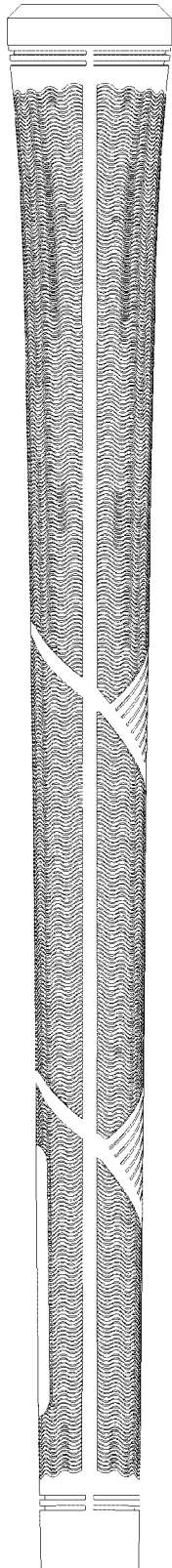


Fig. 7

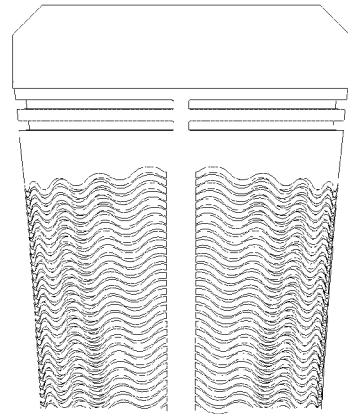


Fig. 8

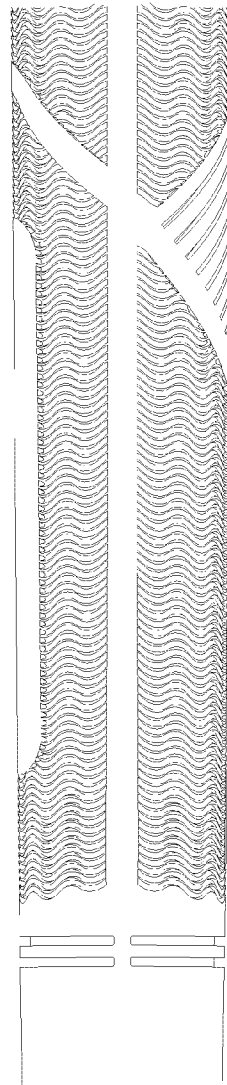


Fig. 9

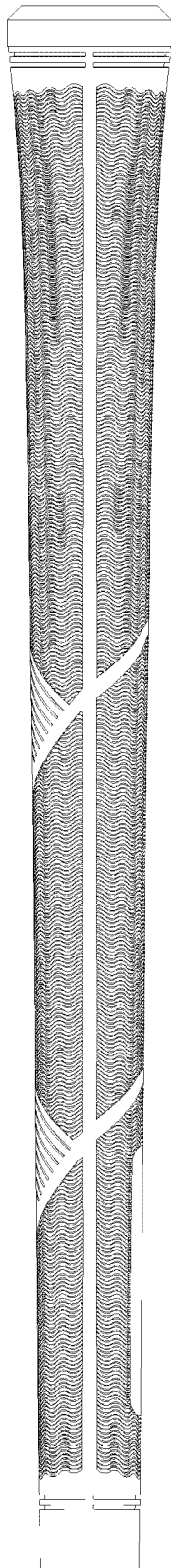


Fig. 10

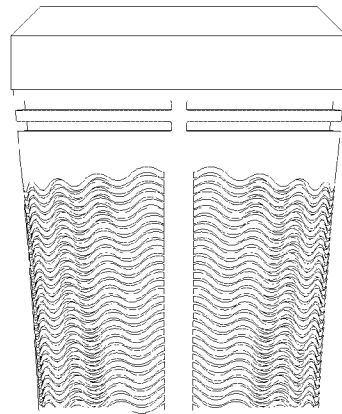


Fig. 11

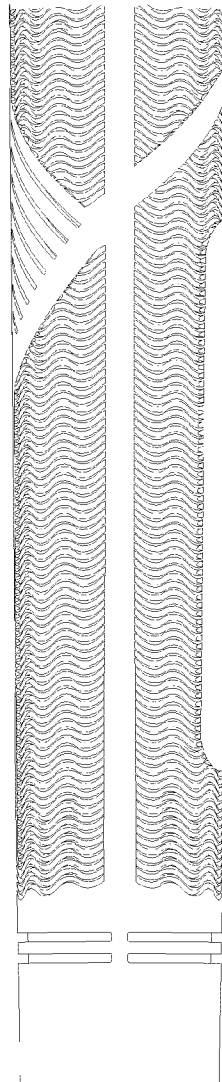


Fig. 12



Fig. 13

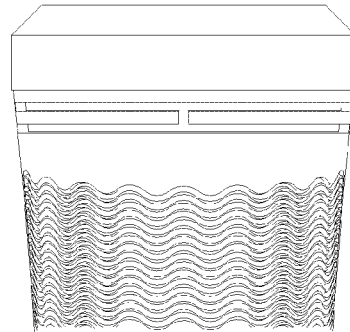


Fig. 14

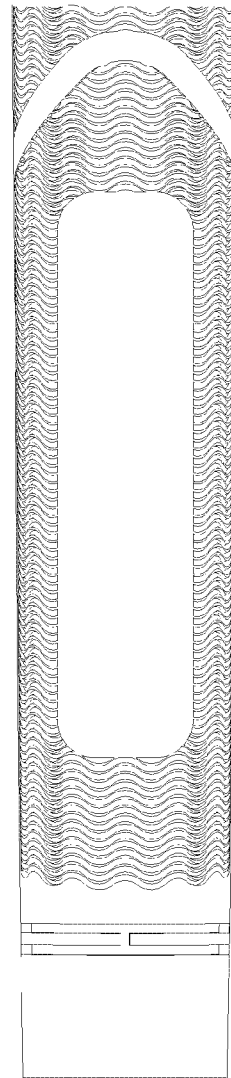


Fig. 15

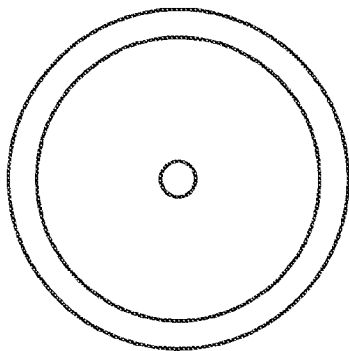


Fig. 16

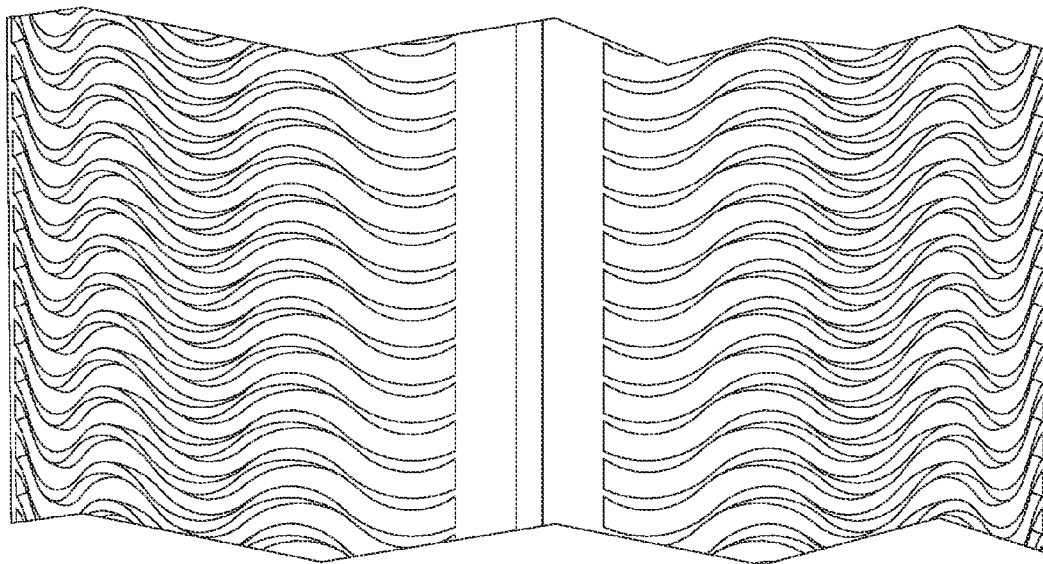


Fig. 17