

# United States Patent [19]

Manabe et al.

[11] Patent Number: Des. 303,661

[45] Date of Patent: \*\* Sep. 26, 1989

[54] DATA DISPLAY FOR COMPUTER

[75] Inventors: Yoshiyuki Manabe; Takehiko Noguchi; Tomoyuki Takahashi, all of Kanagawa, Japan

[73] Assignee: International Business Machines Corporation, Armonk, N.Y.

[\*\*] Term: 14 Years

[21] Appl. No.: 153,747

[22] Filed: Feb. 8, 1988

[30] Foreign Application Priority Data

Aug. 28, 1987 [JP] Japan ..... 62-34883

[52] U.S. Cl. .... D14/113

[58] Field of Search ..... D14/100, 102, 105, 106, D14/107, 113, 114, 115; 340/700, 706, 711, 712; 341/22, 23; 358/248, 249, 254; 312/7.2, 208; 248/122, 125, 127, 133, 149, 161, 178, 183, 179, 349, 346, 371

[56] References Cited

### U.S. PATENT DOCUMENTS

D. 290,706	7/1987	Peart et al. ....	D14/113
D. 295,415	4/1988	Thies et al. ....	D14/113 X
4,438,458	3/1984	Münscher ....	D14/113 X
4,528,597	7/1985	Klein et al. ....	358/254

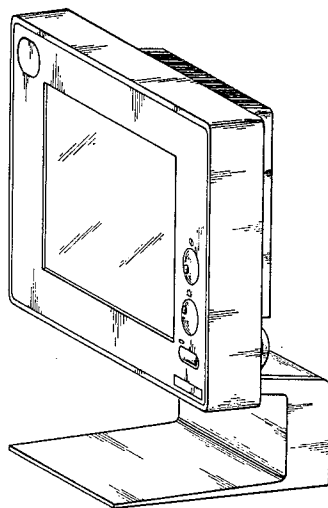
Primary Examiner—Susan J. Lucas  
Assistant Examiner—Freda Selma-Nunn  
Attorney, Agent, or Firm—Joscelyn G. Cockburn

[57] CLAIM

The ornamental design for data display for computer, as shown and described.

### DESCRIPTION

FIG. 1 is a top, front, right side perspective view of a data display for computer showing our new design; FIG. 2 is a front elevational view thereof; FIG. 3 is a rear elevational view thereof; FIG. 4 is a top plan view thereof; FIG. 5 is a bottom plan view thereof; FIG. 6 is a right side elevational view thereof; FIG. 7 is a left side elevational view thereof.



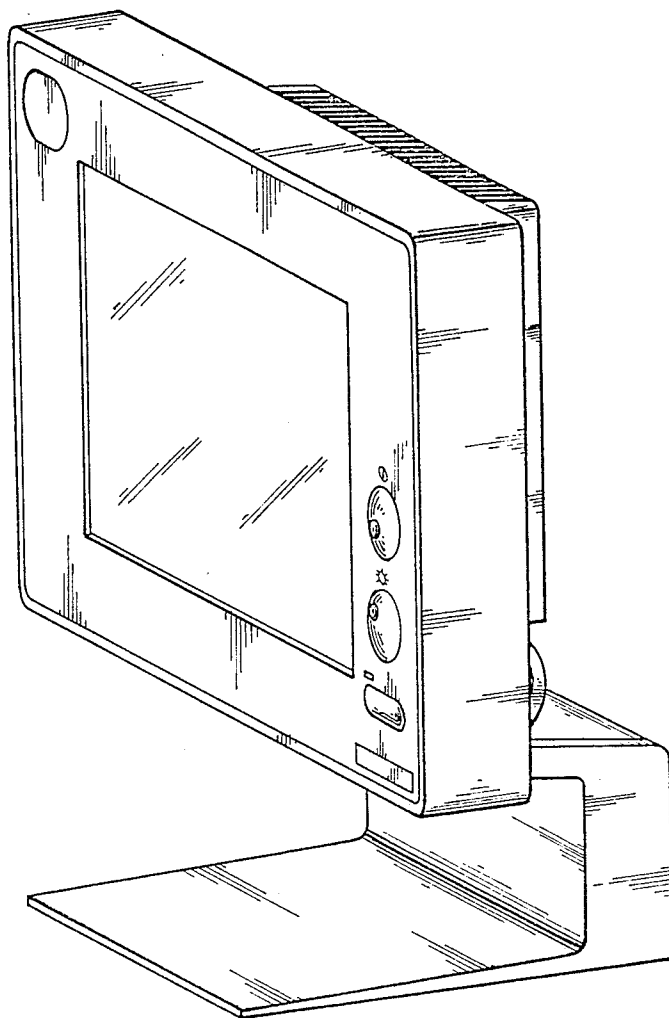


FIG. 1

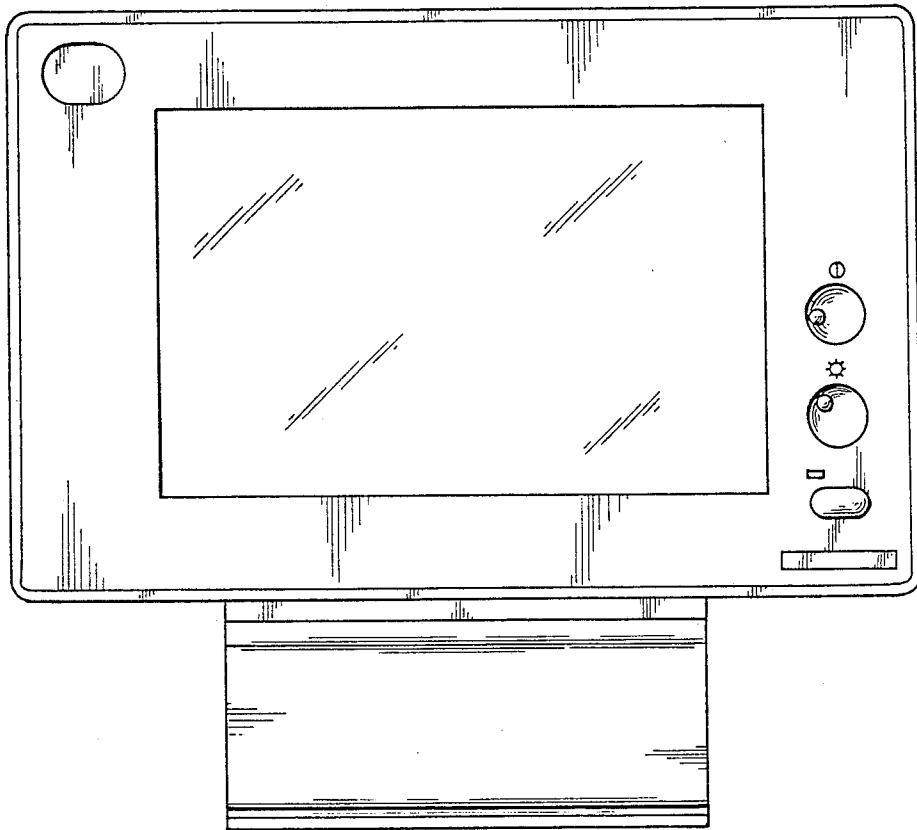


FIG. 2

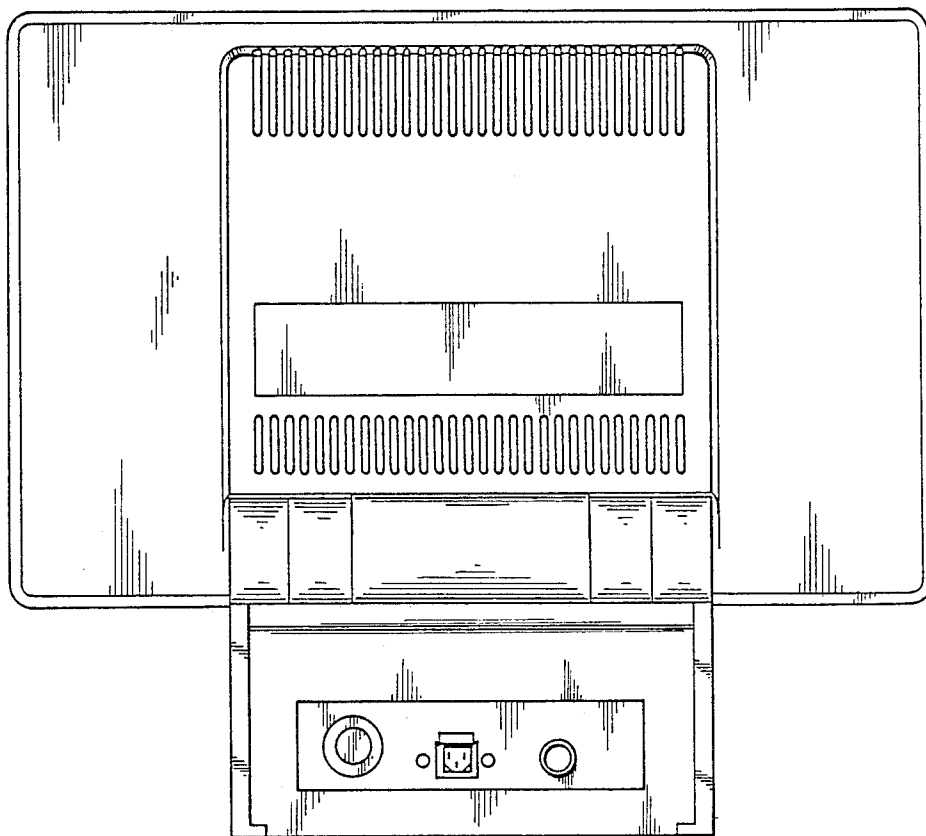


FIG. 3

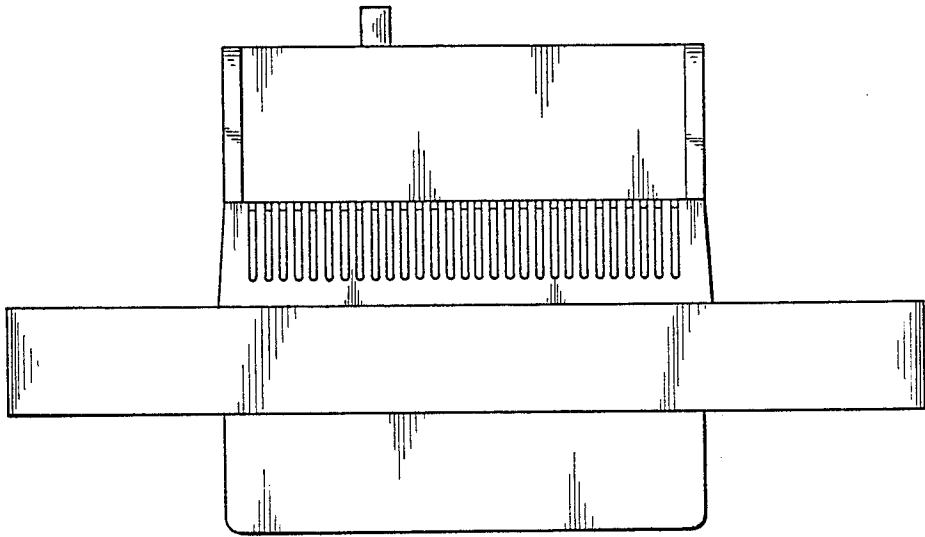


FIG. 4

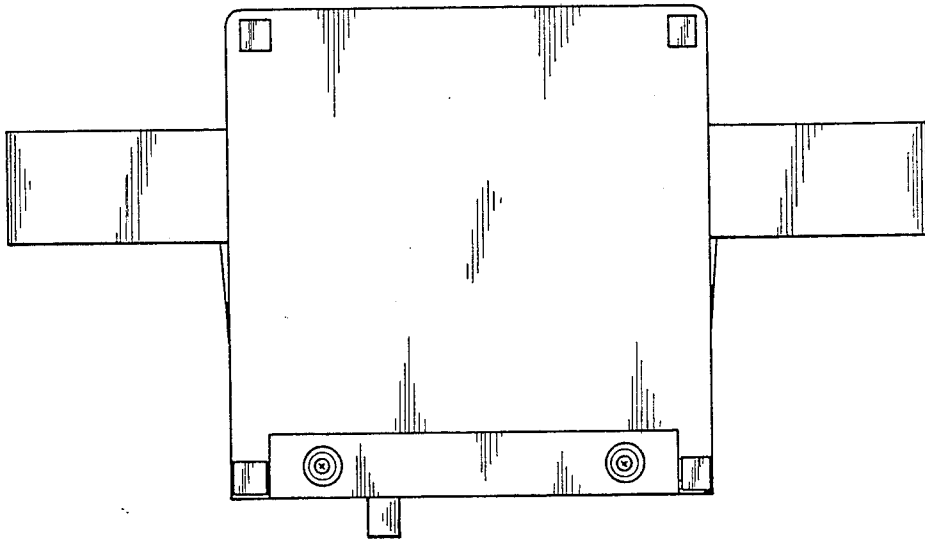


FIG. 5

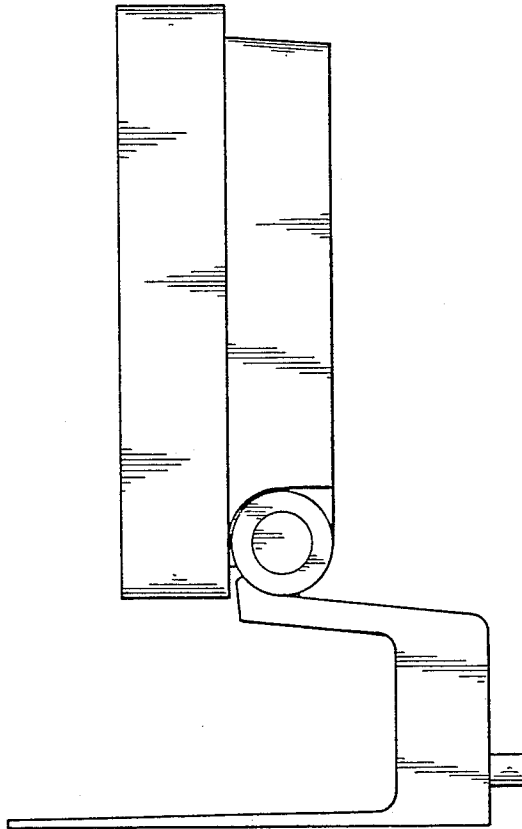


FIG. 6

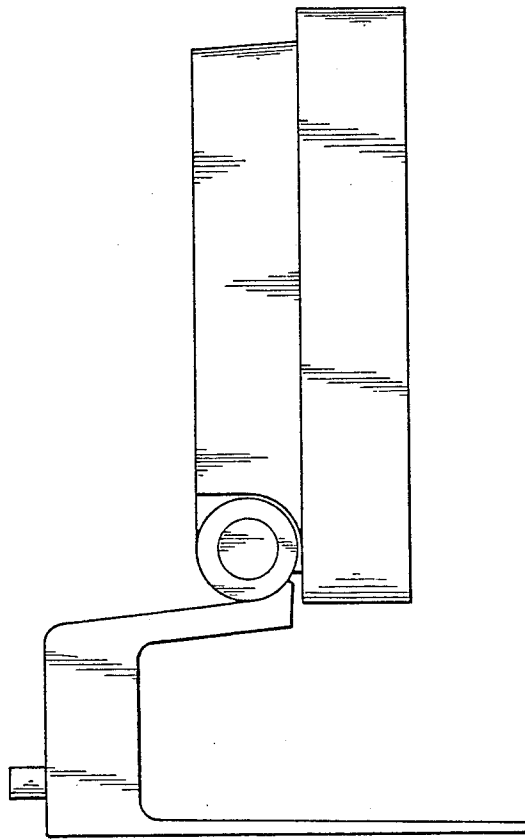


FIG. 7