

(19) World Intellectual Property Organization
International Bureau



(43) International Publication Date
6 March 2008 (06.03.2008)

PCT

(10) International Publication Number
WO 2008/027326 A3

(51) International Patent Classification:
H01R 24/06 (2006.01)

(74) Agent: **MYERS BIGEL SIBLEY & SAJOVEC, P.A.**;
P.O. Box 37428, Raleigh, North Carolina 27627 (US).

(21) International Application Number:
PCT/US2007/018808

(81) Designated States (unless otherwise indicated, for every kind of national protection available): AE, AG, AL, AM, AT, AU, AZ, BA, BB, BG, BH, BR, BW, BY, BZ, CA, CH, CN, CO, CR, CU, CZ, DE, DK, DM, DO, DZ, EC, EE, EG, ES, FI, GB, GD, GE, GH, GM, GT, HN, HR, HU, ID, IL, IN, IS, JP, KE, KG, KM, KN, KP, KR, KZ, LA, LC, LK, LR, LS, LT, LU, LY, MA, MD, ME, MG, MK, MN, MW, MX, MY, MZ, NA, NG, NI, NO, NZ, OM, PG, PH, PL, PT, RO, RS, RU, SC, SD, SE, SG, SK, SL, SM, SV, SY, TJ, TM, TN, TR, TT, TZ, UA, UG, US, UZ, VC, VN, ZA, ZM, ZW.

(22) International Filing Date: 27 August 2007 (27.08.2007)

(25) Filing Language: English

(26) Publication Language: English

(30) Priority Data:
60/840,611 28 August 2006 (28.08.2006) US

(71) Applicant (for all designated States except US): **COMM-SCOPE INC. OF NORTH CAROLINA** [US/US]; 1100 CommScope Place, SE, Hickory, North Carolina 28601 (US).

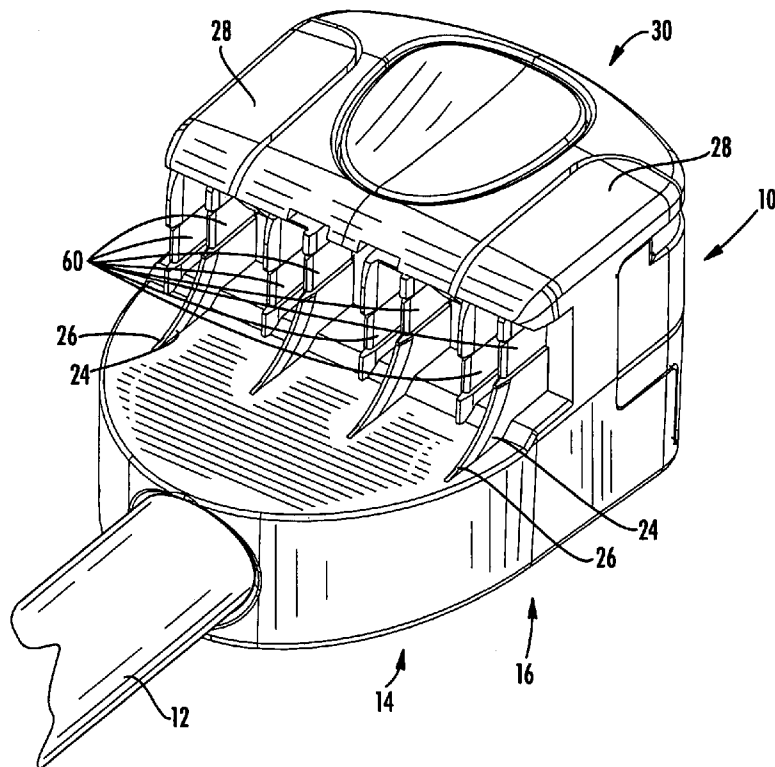
(84) Designated States (unless otherwise indicated, for every kind of regional protection available): ARIPO (BW, GH, GM, KE, LS, MW, MZ, NA, SD, SL, SZ, TZ, UG, ZM, ZW), Eurasian (AM, AZ, BY, KG, KZ, MD, RU, TJ, TM), European (AT, BE, BG, CH, CY, CZ, DE, DK, EE, ES, FI, FR, GB, GR, HU, IE, IS, IT, LT, LU, LV, MC, MT, NL, PL, PT, RO, SE, SI, SK, TR), OAPI (BF, BJ, CF, CG, CI, CM, GA, GN, GQ, GW, ML, MR, NE, SN, TD, TG).

(72) Inventors; and

(75) Inventors/Applicants (for US only): **KEITH, Scott M.** [US/US]; 721 Newberry Drive, Richardson, Texas 75080 (US). **MABUD CHOUDHURY, Golam** [US/US]; 7 Magnolia Lane, Warren, New Jersey 07059 (US).

[Continued on next page]

(54) Title: COMMUNICATIONS PLUG WITH REVERSE CORDAGE AND ANTI-SNAG CONFIGURATION



(57) Abstract: A 110-style patch cord includes: a plug having opposed front and rear ends and a generally horizontal support surface; a plurality of electrical contacts mounted in the plug, each contact including a generally vertically oriented blade, the blades having exposed front edges positioned above the support surface and defining a first vertical plane; and a cable with a plurality of conductors, wherein each contact is electrically connected to a respective one of the conductors, the cable extending from the front end of the plug. At least one anti-snagging gusset is mounted on the support surface in front of the first plane.

WO 2008/027326 A3



Published:

- *with international search report*
- *before the expiration of the time limit for amending the claims and to be republished in the event of receipt of amendments*

(88) Date of publication of the international search report:
19 June 2008

INTERNATIONAL SEARCH REPORT

International application No
PCT/US2007/018808

A. CLASSIFICATION OF SUBJECT MATTER INV. H01R24/06		
According to International Patent Classification (IPC) or to both national classification and IPC		
B. FIELDS SEARCHED		
Minimum documentation searched (classification system followed by classification symbols) H01R H04Q		
Documentation searched other than minimum documentation to the extent that such documents are included in the fields searched		
Electronic data base consulted during the international search (name of data base and, where practical, search terms used) EPO-Internal		
C. DOCUMENTS CONSIDERED TO BE RELEVANT		
Category*	Citation of document, with indication, where appropriate, of the relevant passages	Relevant to claim No.
X	US 6 325 660 B1 (DIAZ ZOILA A [US] ET AL) 4 December 2001 (2001-12-04) column 4, line 3 - line 7 column 6, line 4 - line 22 figures 1,2,19a,19b,22	1,8,11, 14,15
Y		9,10,12, 13
Y	US 6 379 174 B1 (SIEMON JOHN A [US] ET AL) 30 April 2002 (2002-04-30) column 8, line 38 - line 42; figure 4	9,10,13
Y	US 4 632 489 A (SKINNER MICHAEL J [US]) 30 December 1986 (1986-12-30) column 3, line 15 - line 17; figure 4	12
	-/--	
<input checked="" type="checkbox"/> Further documents are listed in the continuation of Box C. <input checked="" type="checkbox"/> See patent family annex.		
* Special categories of cited documents : *A* document defining the general state of the art which is not considered to be of particular relevance *E* earlier document but published on or after the international filing date *L* document which may throw doubts on priority claim(s) or which is cited to establish the publication date of another citation or other special reason (as specified) *O* document referring to an oral disclosure, use, exhibition or other means *P* document published prior to the international filing date but later than the priority date claimed *T* later document published after the international filing date or priority date and not in conflict with the application but cited to understand the principle or theory underlying the invention *X* document of particular relevance; the claimed invention cannot be considered novel or cannot be considered to involve an inventive step when the document is taken alone *Y* document of particular relevance; the claimed invention cannot be considered to involve an inventive step when the document is combined with one or more other such documents, such combination being obvious to a person skilled in the art. *&* document member of the same patent family		
Date of the actual completion of the international search 7 February 2008		Date of mailing of the international search report 08/05/2008
Name and mailing address of the ISA/ European Patent Office, P.B. 5818 Patentlaan 2 NL - 2280 HV Rijswijk Tel. (+31-70) 340-2040, Tx. 31 651 epo nl, Fax: (+31-70) 340-3016		Authorized officer Garcia Congosto, M

INTERNATIONAL SEARCH REPORT

International application No
PCT/US2007/018808

C(Continuation). DOCUMENTS CONSIDERED TO BE RELEVANT

Category*	Citation of document, with indication, where appropriate, of the relevant passages	Relevant to claim No.
A	US 6 439 911 B1 (CONORICH THEODORE A [US]) 27 August 2002 (2002-08-27) column 6, line 40 - line 44 -----	1-3
A	US 6 227 886 B1 (BAKER FRANK P [US] ET AL) 8 May 2001 (2001-05-08) column 3, line 54 - line 56 -----	1-3
A	US 6 159 020 A (BAKER FRANK P [US] ET AL) 12 December 2000 (2000-12-12) cited in the application column 3, line 42 - line 45 -----	1-3

INTERNATIONAL SEARCH REPORT

International application No.
PCT/US2007/018808

Box No. II Observations where certain claims were found unsearchable (Continuation of item 2 of first sheet)

This international search report has not been established in respect of certain claims under Article 17(2)(a) for the following reasons:

1. Claims Nos.:
because they relate to subject matter not required to be searched by this Authority, namely:

2. Claims Nos.:
because they relate to parts of the international application that do not comply with the prescribed requirements to such an extent that no meaningful international search can be carried out, specifically:

3. Claims Nos.:
because they are dependent claims and are not drafted in accordance with the second and third sentences of Rule 6.4(a).

Box No. III Observations where unity of invention is lacking (Continuation of item 3 of first sheet)

This International Searching Authority found multiple inventions in this international application, as follows:

see additional sheet

1. As all required additional search fees were timely paid by the applicant, this international search report covers all searchable claims.
2. As all searchable claims could be searched without effort justifying an additional fees, this Authority did not invite payment of additional fees.
3. As only some of the required additional search fees were timely paid by the applicant, this international search report covers only those claims for which fees were paid, specifically claims Nos.:
4. No required additional search fees were timely paid by the applicant. Consequently, this international search report is restricted to the invention first mentioned in the claims; it is covered by claims Nos.:

1-15

Remark on Protest

- The additional search fees were accompanied by the applicant's protest and, where applicable, the payment of a protest fee.
- The additional search fees were accompanied by the applicant's protest but the applicable protest fee was not paid within the time limit specified in the invitation.
- No protest accompanied the payment of additional search fees.

FURTHER INFORMATION CONTINUED FROM PCT/ISA/ 210

This International Searching Authority found multiple (groups of) inventions in this international application, as follows:

1. claims: 1-15

"A 110-style patch cord, comprising: a plug having opposed front and rear ends and a generally horizontal support surface; wherein at least one anti-snagging gusset is mounted on the support surface".

2. claims: 16-21

"A method of terminating a patch cord having a plurality of electrical conductors, the method comprising the steps of: providing a base in which are mounted electrical contacts, each of the electrical contacts including an insulation displacement contact (IDC); providing a cover comprising a plurality of generally vertically oriented grooves, each of the grooves sized to receive a conductor; inserting a cable comprising the plurality of conductors into an aperture located on a forward end of the base; inserting each of the conductors of the cable into a respective one of the grooves in the cover; and interconnecting the base and the cover such that the IDCs in the base form electrical contact with the conductors inserted in the grooves in the cover".

INTERNATIONAL SEARCH REPORT

Information on patent family members

International application No

PCT/US2007/018808

Patent document cited in search report	Publication date	Patent family member(s)	Publication date	
US 6325660	B1	04-12-2001	CA 2361883 A1	10-05-2002
			DE 60110021 D1	19-05-2005
			DE 60110021 T2	09-03-2006
			EP 1206015 A2	15-05-2002
			JP 3999495 B2	31-10-2007
			JP 2002170631 A	14-06-2002
			US 6379174	B1
			BR 9904805 A	23-05-2000
			CN 1258388 A	28-06-2000
			DE 69930613 T2	16-05-2007
			EP 0968545 A1	05-01-2000
			TW 490895 B	11-06-2002
			US 6346005 B1	12-02-2002
			WO 9936993 A1	22-07-1999
US 4632489	A	30-12-1986	NONE	
US 6439911	B1	27-08-2002	NONE	
US 6227886	B1	08-05-2001	NONE	
US 6159020	A	12-12-2000	NONE	