



(12) **United States Design Patent**
McMahan

(10) **Patent No.:** **US D802,502 S**
(45) **Date of Patent:** **** Nov. 14, 2017**

- (54) **VEHICLE SIDE MIRROR**
- (71) Applicant: **GM GLOBAL TECHNOLOGY OPERATIONS LLC**, Detroit, MI (US)
- (72) Inventor: **Robert B. McMahan**, Bloomfield Hills, MI (US)
- (73) Assignee: **GM Global Technology Operations LLC**, Detroit, MI (US)
- (**) Term: **15 Years**
- (21) Appl. No.: **29/585,834**
- (22) Filed: **Nov. 29, 2016**
- (51) **LOC (10) Cl.** **12-16**
- (52) **U.S. Cl.**
USPC **D12/187**
- (58) **Field of Classification Search**
USPC D12/187, 188-189; D6/300, 309
CPC B60R 1/076; G02B 7/182; G02B 5/08;
G02B 7/18
See application file for complete search history.

| | | |
|------------|---------|---------------------|
| D609,608 S | 2/2010 | Boniface et al. |
| D611,387 S | 3/2010 | Thompson et al. |
| D611,879 S | 3/2010 | Kim et al. |
| D612,297 S | 3/2010 | Peters et al. |
| D613,645 S | 4/2010 | Song et al. |
| D615,458 S | 5/2010 | Thompson et al. |
| D618,595 S | 6/2010 | Ware et al. |
| D623,090 S | 9/2010 | Cox et al. |
| D627,262 S | 11/2010 | Ikeda et al. |
| D635,488 S | 4/2011 | Phipps |
| D644,147 S | 8/2011 | Suh et al. |
| D644,567 S | 9/2011 | Kozub |
| D657,718 S | 4/2012 | Zipfel et al. |
| D659,052 S | 5/2012 | Ware et al. |
| D659,053 S | 5/2012 | Ware et al. |
| D668,182 S | 10/2012 | Barba Franco et al. |
| D668,183 S | 10/2012 | Smart |
| D678,820 S | 3/2013 | Son et al. |
| D678,821 S | 3/2013 | Ikeda et al. |
| D680,909 S | 4/2013 | Munson et al. |
| D680,910 S | 4/2013 | David |
| D684,899 S | 6/2013 | Baker |
| D686,536 S | 7/2013 | McCabe et al. |

(Continued)

Primary Examiner — Katrina A Betton
(74) *Attorney, Agent, or Firm* — Reising Ethington P.C.

(57) **CLAIM**

The ornamental design for a vehicle side mirror, as shown and described.

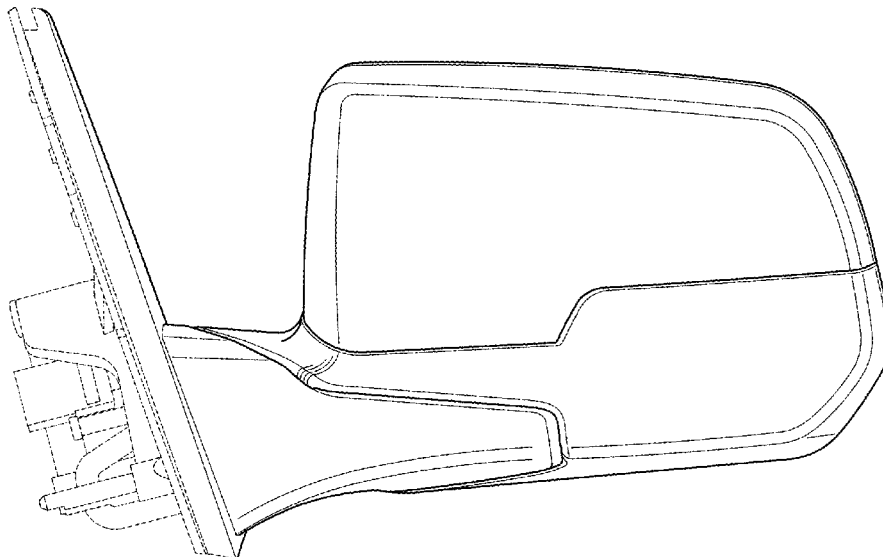
DESCRIPTION

FIG. 1 is a perspective view of the vehicle side mirror; FIG. 2 is a front view thereof; FIG. 3 is a side view thereof; FIG. 4 is a top view thereof; and, FIG. 5 is a bottom view thereof. The broken lines shown in the drawings depict portions of the vehicle side mirror that form no part of the claimed design.

1 Claim, 3 Drawing Sheets

(56) **References Cited**
U.S. PATENT DOCUMENTS

| | | |
|------------|---------|----------------------|
| D570,742 S | 6/2008 | Takagi et al. |
| D592,105 S | 5/2009 | Dean et al. |
| D597,447 S | 8/2009 | Folden |
| D600,595 S | 9/2009 | Nakamura et al. |
| D601,925 S | 10/2009 | O'Donnell |
| D603,755 S | 11/2009 | Peters |
| D604,203 S | 11/2009 | O'Donnell |
| D605,082 S | 12/2009 | Munson |
| D605,083 S | 12/2009 | Manoogian, II et al. |
| D605,977 S | 12/2009 | Zipfel et al. |
| D605,978 S | 12/2009 | Wolff et al. |
| D608,249 S | 1/2010 | Peters |
| D608,690 S | 1/2010 | Folden et al. |
| D608,691 S | 1/2010 | Zak, Jr. et al. |



(56)

References Cited

U.S. PATENT DOCUMENTS

| | | | | | |
|------------|-----------|------------------------|------------|-----------|---------------------------|
| D692,798 S | 11/2013 | Thurber | D745,719 S | 12/2015 | Boniface et al. |
| D692,799 S | 11/2013 | Smith et al. | D745,725 S | 12/2015 | McMahan et al. |
| D696,157 S | 12/2013 | Loeb | D745,726 S | 12/2015 | McMahan et al. |
| D699,629 S | 2/2014 | Ikeda et al. | D745,837 S | 12/2015 | Smith et al. |
| D700,871 S | 3/2014 | O'Donnell et al. | D746,197 S | * 12/2015 | Nissl D12/187 |
| D703,103 S | 4/2014 | Lee | D746,726 S | 1/2016 | Smith et al. |
| D704,103 S | 5/2014 | Mack et al. | D746,727 S | 1/2016 | Smith et al. |
| D705,132 S | 5/2014 | Ware et al. | D746,728 S | 1/2016 | Smith et al. |
| D705,699 S | 5/2014 | Ware et al. | D746,729 S | 1/2016 | Boniface et al. |
| D713,298 S | 9/2014 | Dyson | D746,730 S | 1/2016 | Kim et al. |
| D713,764 S | 9/2014 | Ferlazzo et al. | D747,514 S | 1/2016 | McMahan et al. |
| D716,696 S | 11/2014 | Thole et al. | D747,515 S | 1/2016 | McMahan et al. |
| D716,706 S | 11/2014 | Thole et al. | D747,819 S | 1/2016 | Thole et al. |
| D716,709 S | 11/2014 | Thole et al. | D749,021 S | 2/2016 | Boniface et al. |
| D717,696 S | 11/2014 | Thole et al. | D749,026 S | 2/2016 | Smith et al. |
| D718,189 S | 11/2014 | Krieg et al. | D749,027 S | 2/2016 | McMahan et al. |
| D718,683 S | 12/2014 | Thole et al. | D749,246 S | 2/2016 | Thole et al. |
| D718,689 S | * 12/2014 | Blanski D12/187 | D749,249 S | 2/2016 | Thole et al. |
| D722,282 S | 2/2015 | Loeb | D749,250 S | 2/2016 | Thole et al. |
| D722,533 S | 2/2015 | Thole et al. | D749,985 S | 2/2016 | Kozub et al. |
| D722,534 S | 2/2015 | Munson et al. | D749,997 S | 2/2016 | McMahan et al. |
| D724,510 S | 3/2015 | McMahan et al. | D750,001 S | 2/2016 | Thole et al. |
| D725,001 S | 3/2015 | McMahan et al. | D753,032 S | 4/2016 | Smith et al. |
| D725,014 S | * 3/2015 | Duff D12/187 | D753,033 S | 4/2016 | Thole et al. |
| D725,562 S | * 3/2015 | Beaven D12/187 | D753,034 S | 4/2016 | Thole et al. |
| D726,591 S | 4/2015 | Jacob | D753,035 S | 4/2016 | Boniface et al. |
| D727,230 S | * 4/2015 | Kao D12/187 | D753,559 S | 4/2016 | McMahan et al. |
| D730,776 S | 6/2015 | Smart | D753,560 S | 4/2016 | McMahan et al. |
| D730,783 S | 6/2015 | Henriques et al. | D753,567 S | 4/2016 | Boniface et al. |
| D731,379 S | * 6/2015 | Behmer D12/187 | D754,571 S | 4/2016 | Boniface et al. |
| D732,427 S | 6/2015 | Loeb | D754,572 S | 4/2016 | McMahan et al. |
| D732,429 S | 6/2015 | Loeb | D755,088 S | 5/2016 | McMahan et al. |
| D732,430 S | 6/2015 | Loeb | D756,869 S | 5/2016 | McMahan et al. |
| D732,431 S | 6/2015 | Loeb | D758,271 S | 6/2016 | McMahan et al. |
| D732,432 S | 6/2015 | Aengenheyster | D761,173 S | * 7/2016 | Faghihzadeh D12/187 |
| D732,433 S | 6/2015 | Aengenheyster | D767,449 S | 9/2016 | Pevovar et al. |
| D732,435 S | 6/2015 | Mackay | D767,450 S | 9/2016 | Lee et al. |
| D733,002 S | 6/2015 | Loeb | D767,451 S | 9/2016 | Kozub et al. |
| D735,611 S | 8/2015 | Aengenheyster | D767,454 S | 9/2016 | McMahan et al. |
| D735,627 S | 8/2015 | Smith | D767,458 S | 9/2016 | Kim |
| D736,451 S | 8/2015 | Smith | D767,459 S | 9/2016 | Kim |
| D739,306 S | 9/2015 | McMahan et al. | D767,460 S | 9/2016 | Kozub et al. |
| D739,317 S | 9/2015 | McMahan et al. | D767,461 S | 9/2016 | Kozub et al. |
| D741,223 S | 10/2015 | Kim et al. | D771,528 S | 11/2016 | Smith et al. |
| D743,309 S | 11/2015 | Thole et al. | D771,529 S | 11/2016 | Thole et al. |
| D743,313 S | 11/2015 | Smith et al. | D771,532 S | 11/2016 | Kapitonov |
| D743,314 S | 11/2015 | Thole et al. | D771,533 S | 11/2016 | Kapitonov |
| D743,857 S | 11/2015 | McMahan et al. | D777,068 S | * 1/2017 | Sternner D12/187 |
| D744,158 S | 11/2015 | Willett et al. | D782,377 S | * 3/2017 | Curic D12/187 |
| D744,918 S | * 12/2015 | Di Buduo D12/187 | D782,379 S | * 3/2017 | Wassell D12/187 |
| D745,086 S | 12/2015 | Finos et al. | D783,478 S | * 4/2017 | Suzuki D12/187 |
| | | | D786,757 S | * 5/2017 | Chen D12/187 |

* cited by examiner

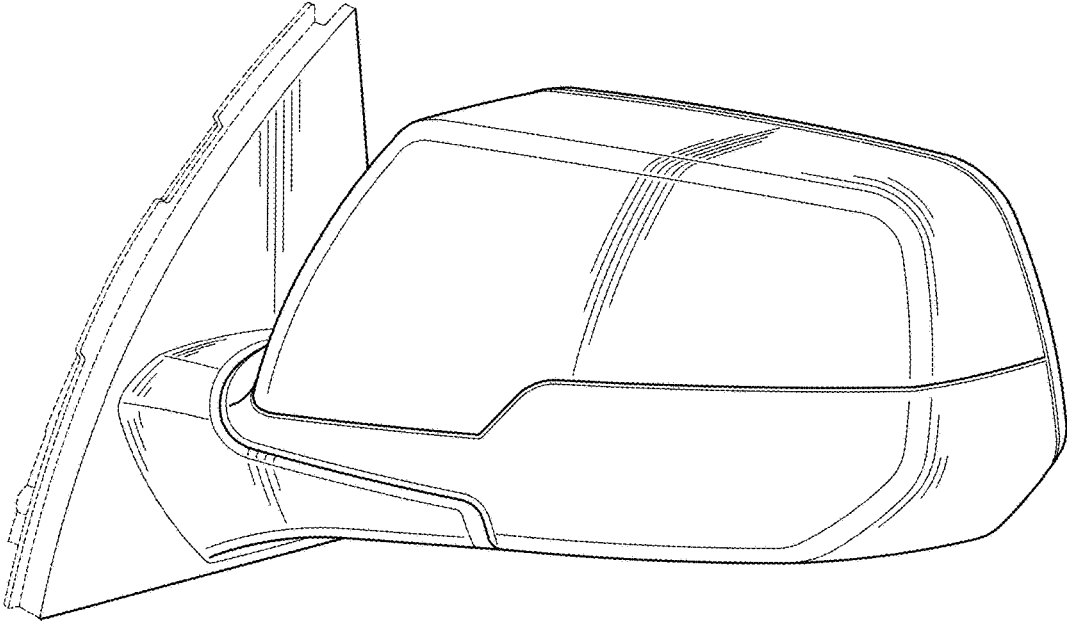


FIG. 1

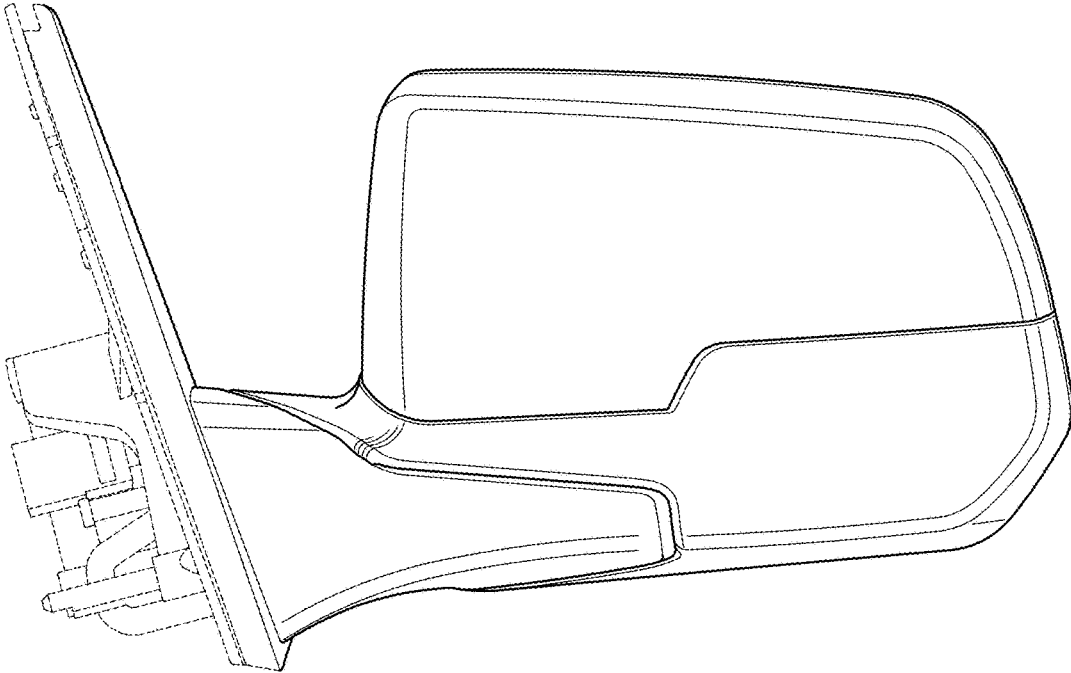


FIG. 2

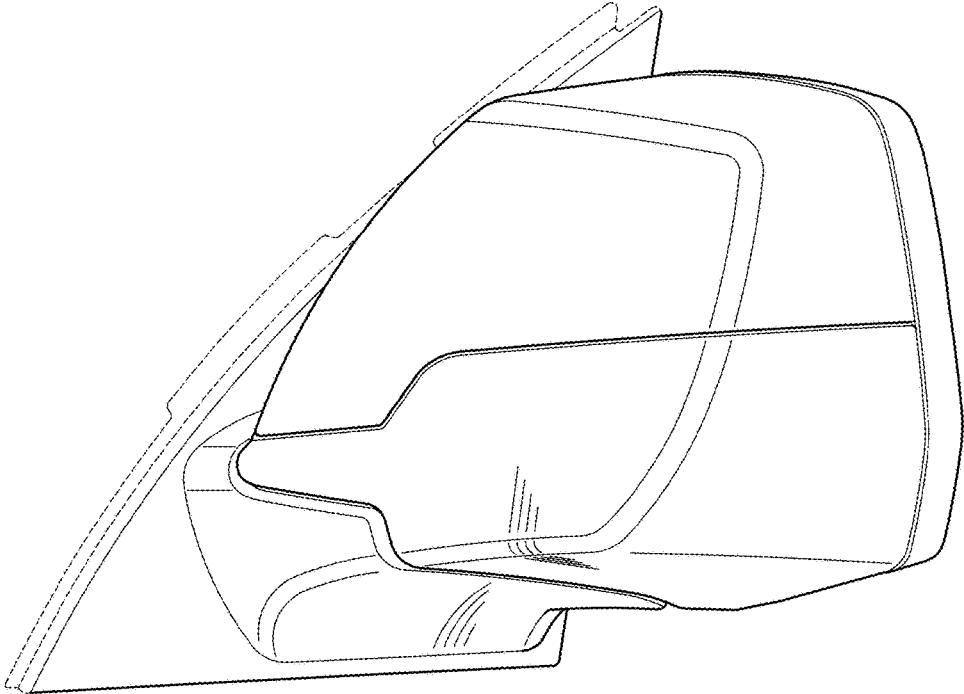


FIG. 3

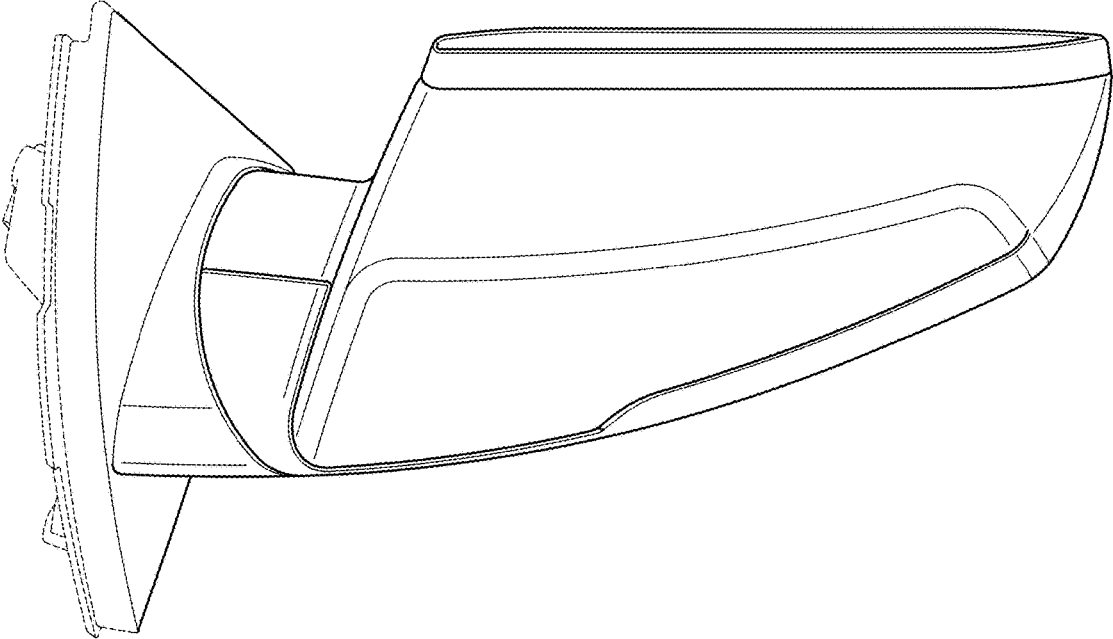


FIG. 4

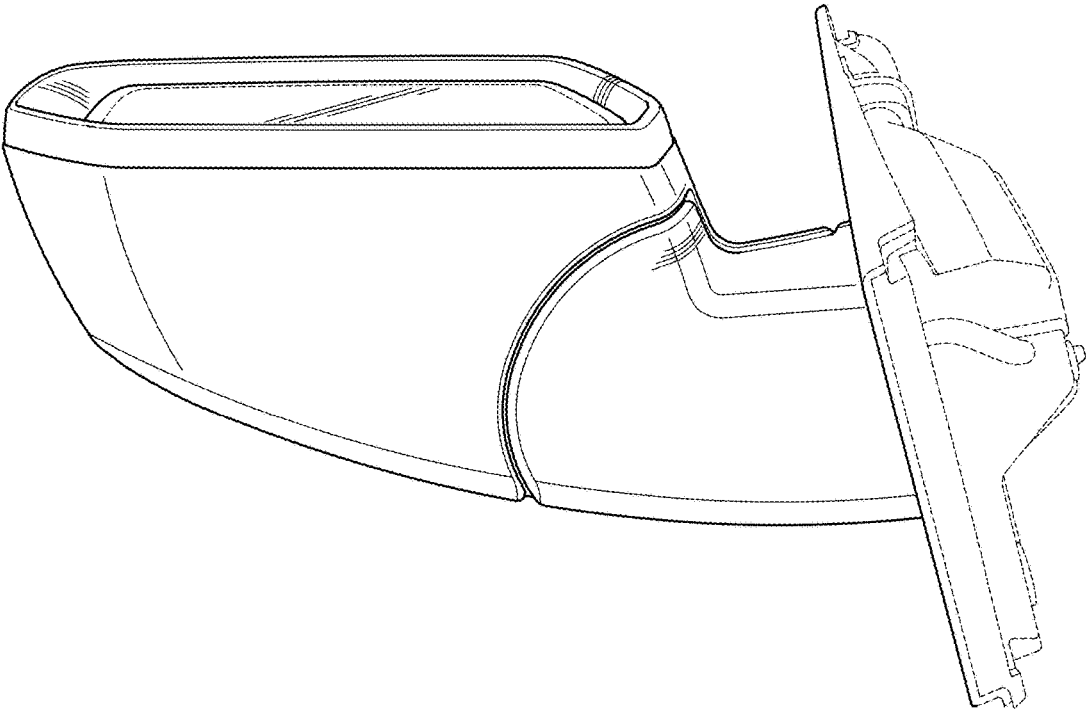


FIG. 5