



US00D375044S

United States Patent [19]

[11] Patent Number: **Des. 375,044**

Williard et al.

[45] Date of Patent: ****Oct. 29, 1996**

[54] **STACKABLE COMPOSITE PACKAGE**

5,060,804 10/1991 Beales et al. 206/611

[75] Inventors: **Lonnie Williard, Succasunna; Brian G. Boden, Mendham, both of N.J.; Harry Hajinlian, Congers, N.Y.**

FOREIGN PATENT DOCUMENTS

579259 7/1959 Canada 206/434

[73] Assignee: **Nabisco, Inc., Parsippany, N.J.**

Primary Examiner—Ted Shooman
Assistant Examiner—Nanda Bondade

[**] Term: **14 Years**

[57] CLAIM

[21] Appl. No.: **28,812**

The ornamental design for a stackable composite package, as shown and described.

[22] Filed: **Sep. 22, 1994**

DESCRIPTION

[52] U.S. Cl. **D9/433**

[58] Field of Search D9/344, 346, 414,
D9/430-433; 206/335, 427, 431, 434

FIG. 1 is a perspective view of a stackable composite package showing our new design;
FIG. 2 is a front elevational view;
FIG. 3 is a side elevational view, the opposite side being a mirror image;
FIG. 4 is a top plan view;
FIG. 5 is a rear elevational view;
FIG. 6 is a bottom plan view; and,
FIG. 7 is a top perspective view of a blank for forming an outer sleeve portion.

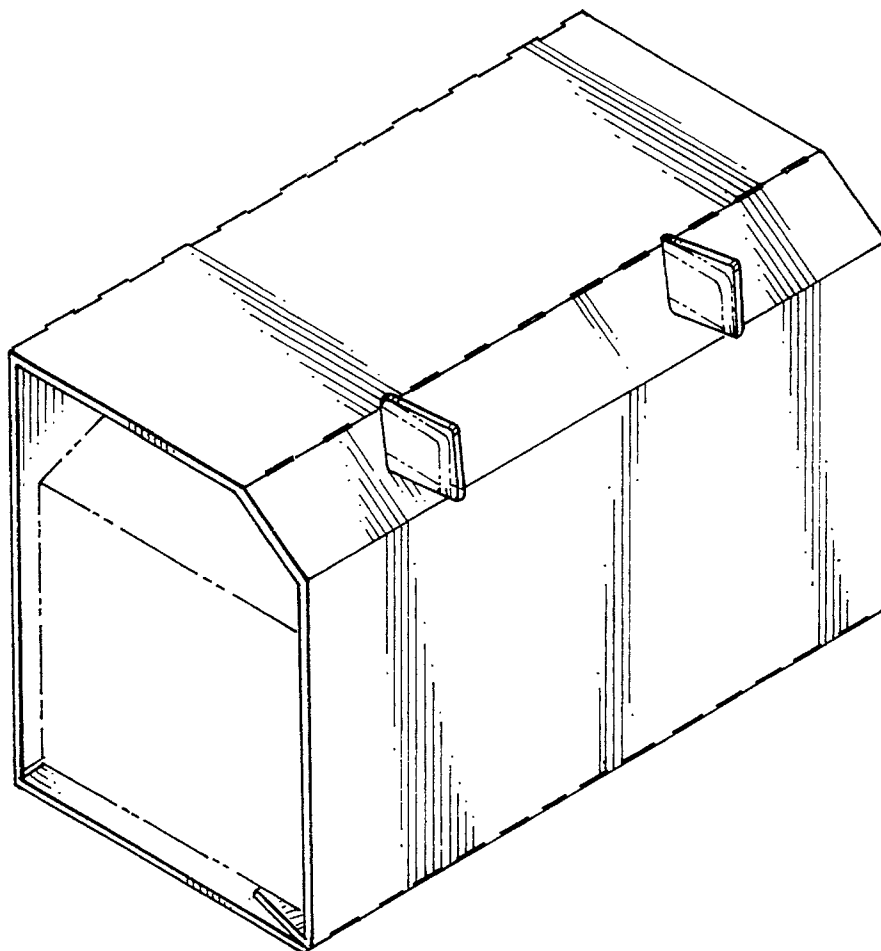
[56] References Cited

U.S. PATENT DOCUMENTS

D. 260,077	8/1981	Burns et al.	D9/432 X
T889,030	8/1971	Carmichael	206/431 X
2,819,793	1/1958	Lamb	206/431
3,080,050	3/1963	Fielding .	
3,080,965	3/1963	Kuchenbecker	206/431
3,595,384	7/1971	Sargent	206/431 X
3,670,879	6/1972	Williard et al. .	
4,802,608	2/1989	Hofmann	220/337 X
4,860,943	8/1989	Cooper	206/427 X

The broken line showing of the internal containers is for illustrative purposes only and forms no part of the claimed design.

1 Claim, 3 Drawing Sheets



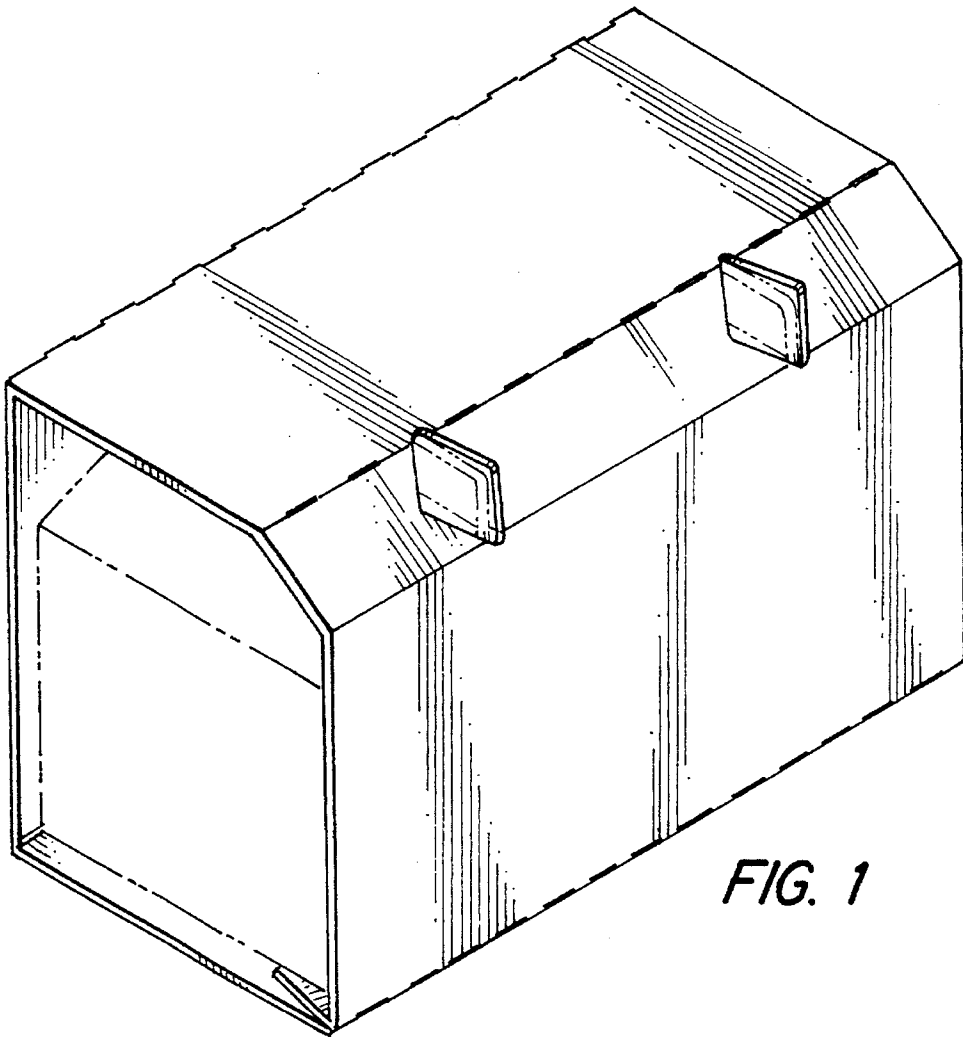


FIG. 1

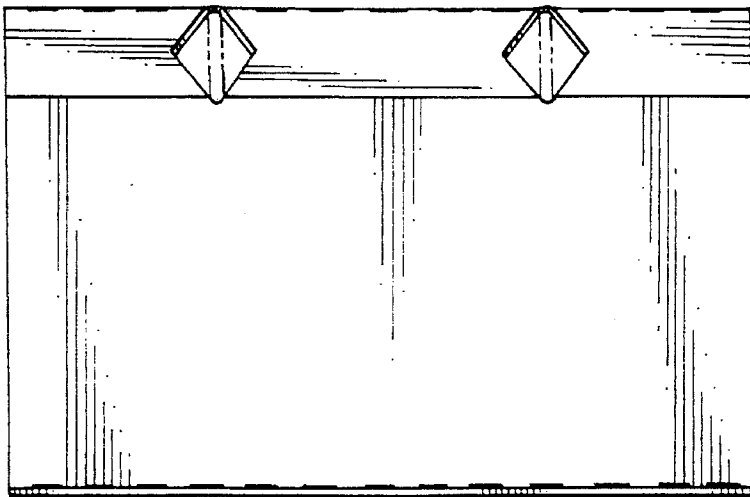


FIG. 2

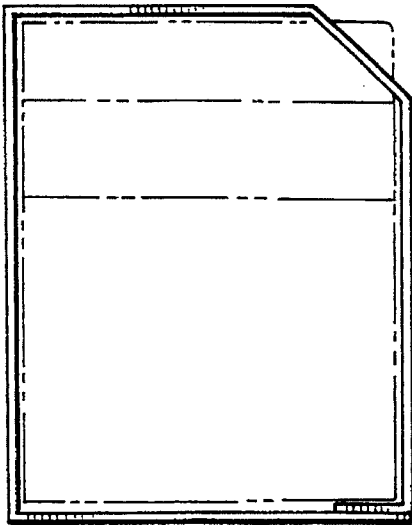


FIG. 3

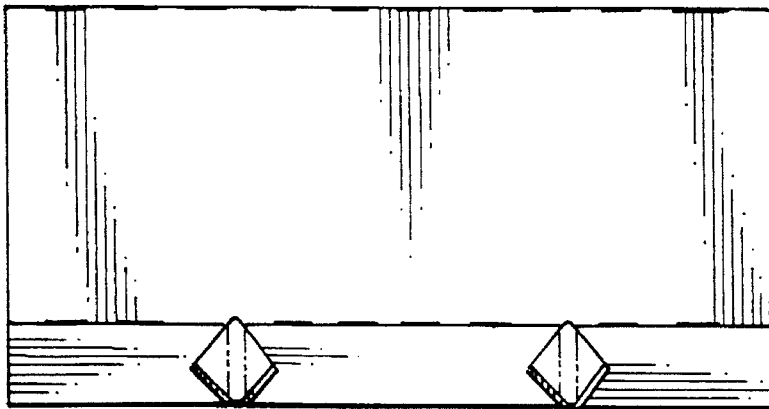


FIG. 4

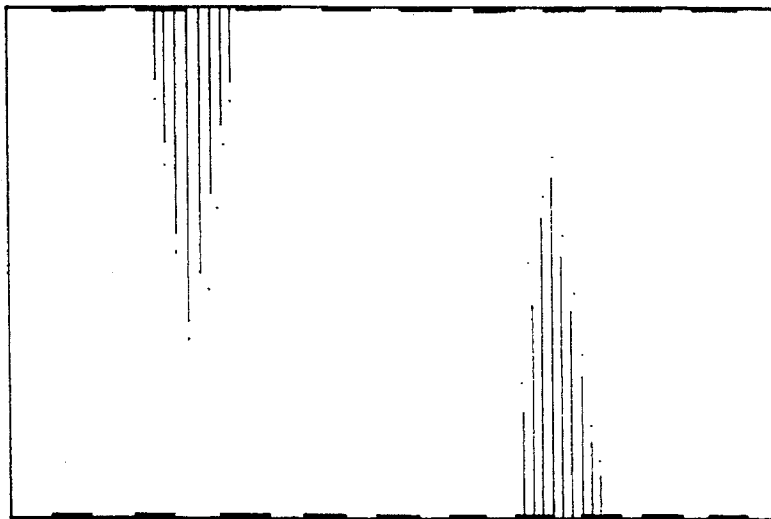


FIG. 5

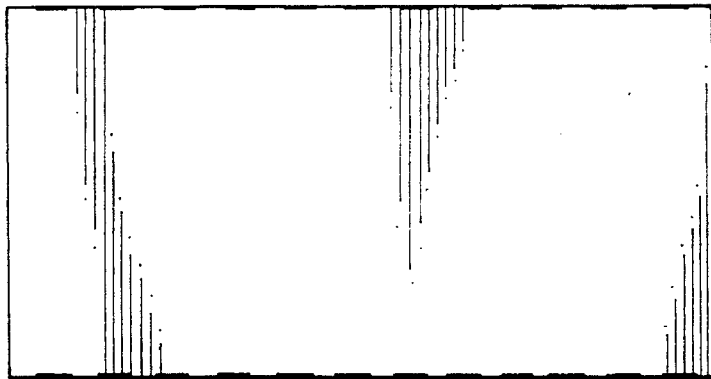


FIG. 6

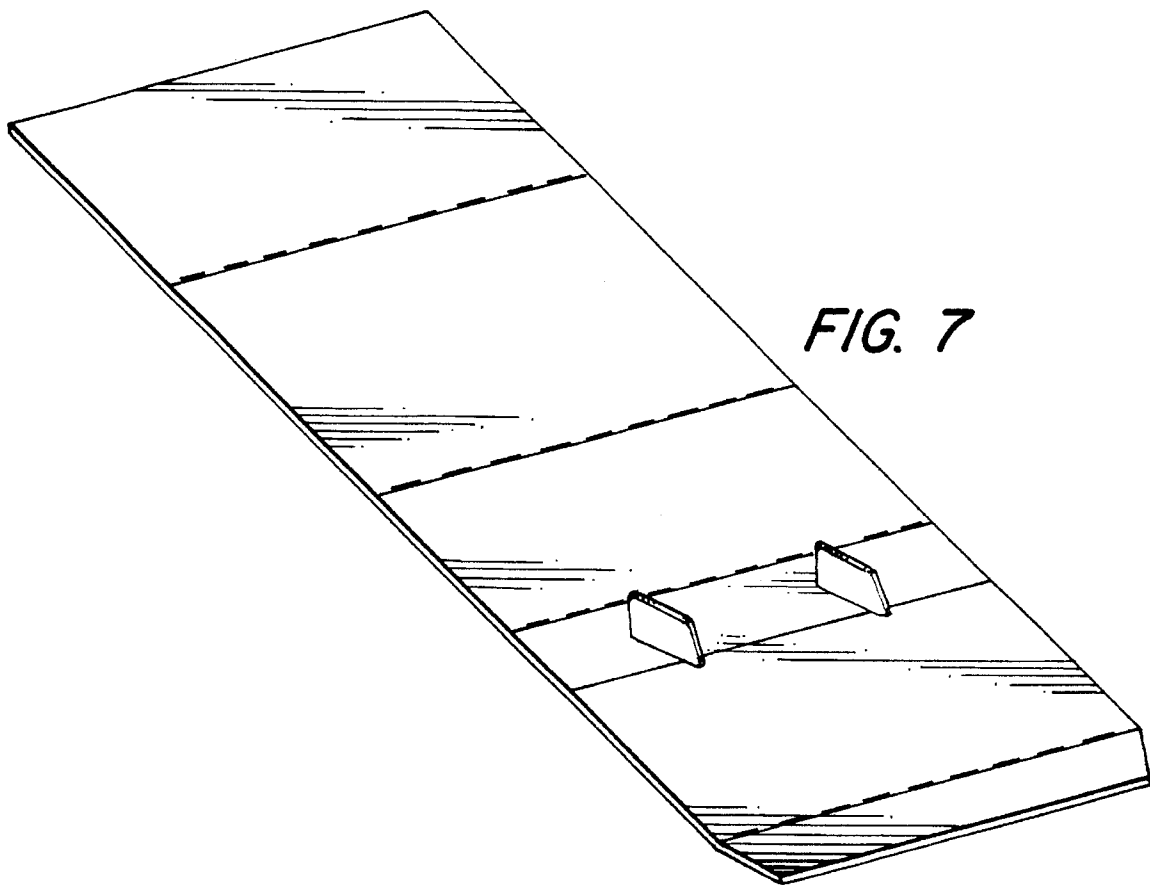


FIG. 7