

(19) World Intellectual Property Organization
International Bureau



(43) International Publication Date
15 July 2010 (15.07.2010)

PCT

(10) International Publication Number
WO 2010/080081 A3

(51) International Patent Classification:

A61M 39/02 (2006.01) A47C 27/10 (2006.01)
A61M 25/02 (2006.01) A61B 5/093 (2006.01)
A61M 37/00 (2006.01)

(21) International Application Number:

PCT/US2009/000142

(22) International Filing Date:

9 January 2009 (09.01.2009)

(25) Filing Language:

English

(26) Publication Language:

English

(72) Inventor; and

(71) Applicant : ROHRSCHEIB, Sidney [US/US]; 803 Illini Dr., Clinton, IL 61727 (US).

(74) Agent: ANTOLINE, Michael, L.; One East Main Street, Ste.212, Champaign, IL 61820 (US).

(81) Designated States (unless otherwise indicated, for every kind of national protection available): AE, AG, AL, AM, AO, AT, AU, AZ, BA, BB, BG, BH, BR, BW, BY, BZ,

CA, CH, CN, CO, CR, CU, CZ, DE, DK, DM, DO, DZ, EC, EE, EG, ES, FI, GB, GD, GE, GH, GM, GT, HN, HR, HU, ID, IL, IN, IS, JP, KE, KG, KM, KN, KP, KR, KZ, LA, LC, LK, LR, LS, LT, LU, LY, MA, MD, ME, MG, MK, MN, MW, MX, MY, MZ, NA, NG, NI, NO, NZ, OM, PG, PH, PL, PT, RO, RS, RU, SC, SD, SE, SG, SK, SL, SM, ST, SV, SY, TJ, TM, TN, TR, TT, TZ, UA, UG, US, UZ, VC, VN, ZA, ZM, ZW.

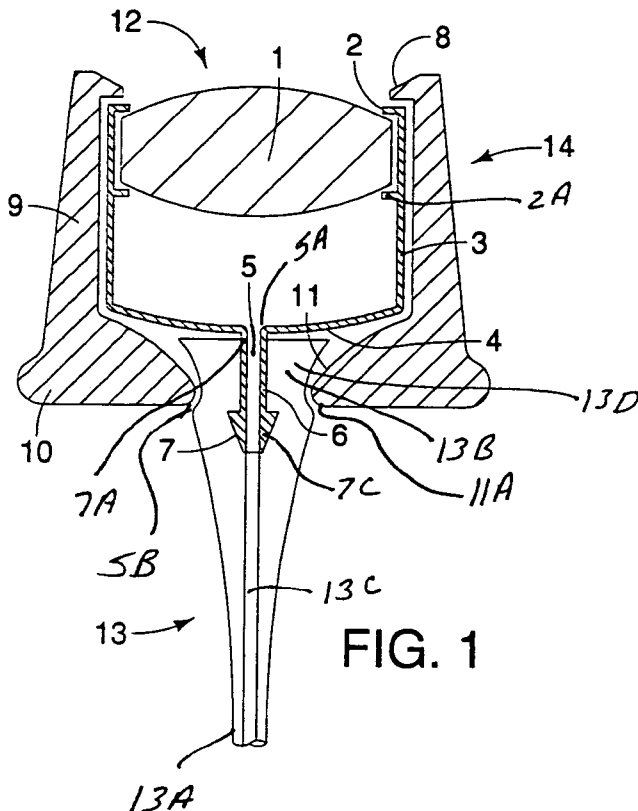
(84) Designated States (unless otherwise indicated, for every kind of regional protection available): ARIPO (BW, GH, GM, KE, LS, MW, MZ, NA, SD, SL, SZ, TZ, UG, ZM, ZW), Eurasian (AM, AZ, BY, KG, KZ, MD, RU, TJ, TM), European (AT, BE, BG, CH, CY, CZ, DE, DK, EE, ES, FI, FR, GB, GR, HR, HU, IE, IS, IT, LT, LU, LV, MC, MK, MT, NL, NO, PL, PT, RO, SE, SI, SK, TR), OAPI (BF, BJ, CF, CG, CI, CM, GA, GN, GQ, GW, ML, MR, NE, SN, TD, TG).

Published:

— with international search report (Art. 21(3))

[Continued on next page]

(54) Title: ONLAY ACCESS PORT



(57) Abstract: This invention is an onlay access port comprising an injection chamber housing, an injection chamber, a self sealing septum, a catheter seat, and a catheter, wherein the second catheter end in fluid communication with the catheter seat, and the catheter is parallel with the longitudinal axis of the onlay port.

WO 2010/080081 A3



— *before the expiration of the time limit for amending the claims and to be republished in the event of receipt of amendments (Rule 48.2(h))*

(88) Date of publication of the international search report:
24 February 2011

INTERNATIONAL SEARCH REPORT

International application No.
PCT/US2009/000142**A. CLASSIFICATION OF SUBJECT MATTER***A61M 39/02(2006.01)i, A61M 25/02(2006.01)i, A61M 37/00(2006.01)i, A47C 27/10(2006.01)i, A61B 5/093(2006.01)i*

According to International Patent Classification (IPC) or to both national classification and IPC

B. FIELDS SEARCHED

Minimum documentation searched (classification system followed by classification symbols)

A61M 39/02; A61M 11/00; A61M 1/00

Documentation searched other than minimum documentation to the extent that such documents are included in the fields searched

Korean utility models and applications for utility models

Japanese utility models and applications for utility models

Electronic data base consulted during the international search (name of data base and, where practicable, search terms used)

eKOMPASS(KIPO internal) & Keywords: access port, chamber, septum, catheter

C. DOCUMENTS CONSIDERED TO BE RELEVANT

| Category* | Citation of document, with indication, where appropriate, of the relevant passages | Relevant to claim No. |
|-----------|--|-----------------------|
| A | US 4604090 A1 (REINICKE; ROBERT H.) 05 August 1986 See claims 1-22, figures 1-15 | 1-19 |
| A | US 5152753 A1 (LAGUETTE; STEPHEN W. et al.) 06 October 1992 See claims 1-42, figures 1-11 | 1-19 |
| A | US 5562618 A1 (CAI; QINGSHENG et al.) 08 October 1996 See claims 1-36, figures 1-12 | 1-19 |
| A | US 5575770 A1 (MELSKY; GERALD S. et al.) 19 November 1996 See claims 1-12, figures 1-4 | 1-19 |

 Further documents are listed in the continuation of Box C. See patent family annex.

* Special categories of cited documents:

"A" document defining the general state of the art which is not considered to be of particular relevance

"E" earlier application or patent but published on or after the international filing date

"L" document which may throw doubts on priority claim(s) or which is cited to establish the publication date of citation or other special reason (as specified)

"O" document referring to an oral disclosure, use, exhibition or other means

"P" document published prior to the international filing date but later than the priority date claimed

"T" later document published after the international filing date or priority date and not in conflict with the application but cited to understand the principle or theory underlying the invention

"X" document of particular relevance; the claimed invention cannot be considered novel or cannot be considered to involve an inventive step when the document is taken alone

"Y" document of particular relevance; the claimed invention cannot be considered to involve an inventive step when the document is combined with one or more other such documents, such combination being obvious to a person skilled in the art

"&" document member of the same patent family

Date of the actual completion of the international search

05 JANUARY 2011 (05.01.2011)

Date of mailing of the international search report

10 JANUARY 2011 (10.01.2011)

Name and mailing address of the ISA/KR

Korean Intellectual Property Office
Government Complex-Daejeon, 139 Seonsa-ro, Seo-gu, Daejeon 302-701, Republic of Korea

Facsimile No. 82-42-472-7140

Authorized officer

HAN, SANG SOO

Telephone No. 82-42-481-8648



INTERNATIONAL SEARCH REPORT

Information on patent family members

International application No.

PCT/US2009/000142

| Patent document cited in search report | Publication date | Patent family member(s) | Publication date |
|--|------------------|-------------------------|------------------|
| US 4604090 A1 | 05.08.1986 | EP 0142866 A2 | 29.05.1985 |
| | | EP 0142866 A3 | 10.12.1986 |
| US 5152753 A1 | 06.10.1992 | EP 0450186 A1 | 09.10.1991 |
| | | EP 0450186 B1 | 15.02.1995 |
| | | JP 07-047136 A | 21.02.1995 |
| | | JP 08-024720 B2 | 13.03.1996 |
| | | US 5085644 A1 | 04.02.1992 |
| US 5562618 A1 | 08.10.1996 | EP 0740560 A1 | 04.04.2001 |
| | | EP 0740560 A1 | 06.11.1996 |
| | | JP 09-508037 A | 19.08.1997 |
| | | US 5613945 A1 | 25.03.1997 |
| | | US 5632729 A1 | 27.05.1997 |
| | | US 5743873 A1 | 28.04.1998 |
| | | WO 95-19802 A1 | 27.07.1995 |
| US 5575770 A1 | 19.11.1996 | CA 2219914 C | 20.03.2007 |
| | | EP 0819012 A1 | 21.01.1998 |
| | | EP 0819012 A1 | 30.08.2000 |
| | | EP 0819012 B1 | 29.05.2002 |
| | | JP 11-514249 A | 07.12.1999 |
| | | WO 96-31246 A1 | 10.10.1996 |