



US00D771797S

(12) **United States Design Patent**
Wang

(10) **Patent No.:** **US D771,797 S**

(45) **Date of Patent:** **** Nov. 15, 2016**

- (54) **CEILING FAN BLADE HOUSING**
- (71) Applicant: **YOUNGO LIMITED**, Hong Kong (CN)
- (72) Inventor: **Cliff Wang**, Taichung (TW)
- (73) Assignee: **YOUNGO LIMITED**, Hong Kong (CN)
- (**) Term: **15 Years**

D539,894 S *	4/2007	Bucher	D23/377
D542,909 S *	5/2007	Russak	D23/411
D543,268 S *	5/2007	Ertze	D23/377
D557,792 S *	12/2007	Cox	D23/411
D567,350 S *	4/2008	Hidalgo	D23/377
D576,720 S *	9/2008	Bucher	D23/377
D692,996 S *	11/2013	Alexander	D23/370

* cited by examiner

Primary Examiner — Susan Bennett Hattan
Assistant Examiner — Janice Hallmark
 (74) *Attorney, Agent, or Firm* — Pai Patent & Trademark Law Firm; Chao-Chang David Pai

- (21) Appl. No.: **29/539,307**
- (22) Filed: **Sep. 11, 2015**
- (51) **LOC (10) Cl.** **23-04**
- (52) **U.S. Cl.**
USPC **D23/411**
- (58) **Field of Classification Search**
USPC D23/370–387, 411–414, 365, 355, 342, D23/332, 328, 337, 335, 314, 393; 415/60, 415/66, 68, 208.1, 213.1, 214.1, 209.3; 310/257; 361/695; 126/299 D, 299 R; D26/59
CPC F01D 9/042; F04D 25/08; F04D 29/70; F04D 29/34; F04D 19/00; F24F 7/007; F24F 13/082; F24F 7/065; F24F 13/078
See application file for complete search history.

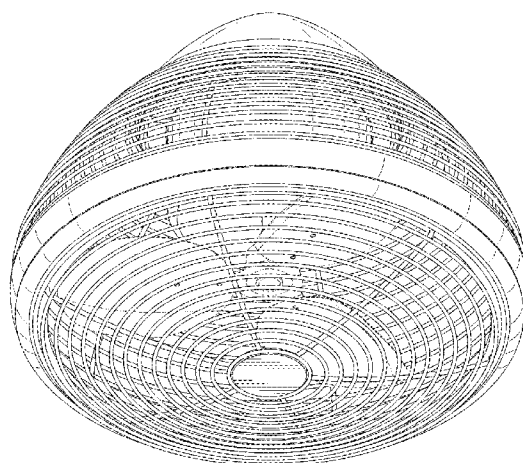
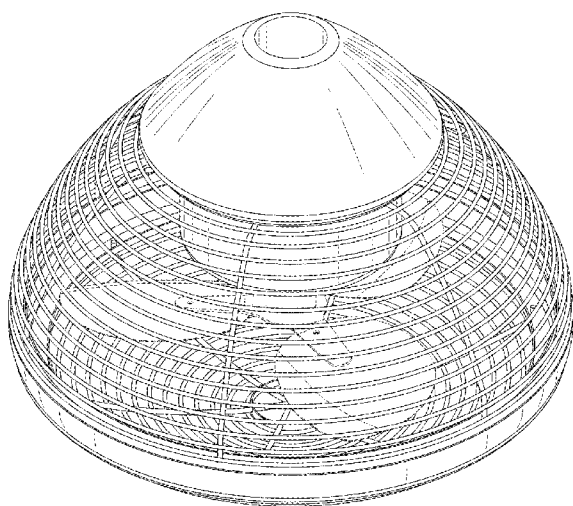
(57) **CLAIM**
 The ornamental design for a ceiling fan blade housing, as shown and described.

DESCRIPTION

FIG. 1 is a front perspective view of a ceiling fan blade housing showing my new design;
 FIG. 2 is a front elevational view thereof;
 FIG. 3 is a rear elevational view thereof;
 FIG. 4 is a left side elevational view thereof;
 FIG. 5 is a right side elevational view thereof;
 FIG. 6 is a top plan view thereof;
 FIG. 7 is a bottom plan view thereof; and,
 FIG. 8 is another front perspective view thereof.
 The broken lines are for the purpose of illustrating environmental structure and form no part of the claimed design.

- (56) **References Cited**
U.S. PATENT DOCUMENTS
D476,406 S * 6/2003 Friedes D23/377
D525,696 S * 7/2006 Ertze D23/377

1 Claim, 8 Drawing Sheets



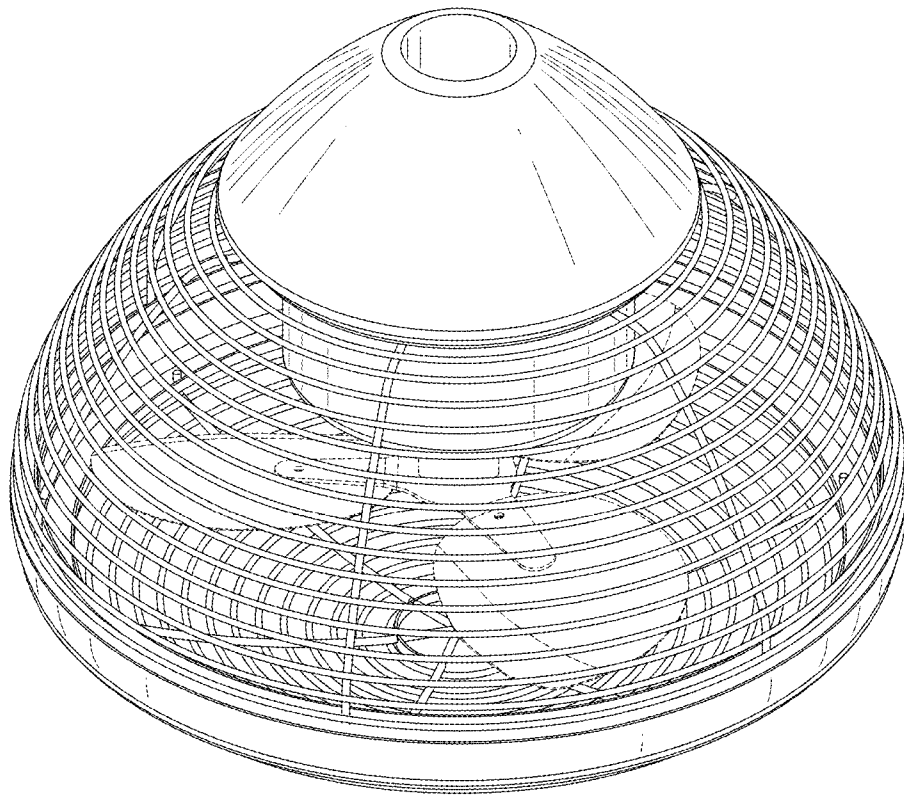


FIG. 1

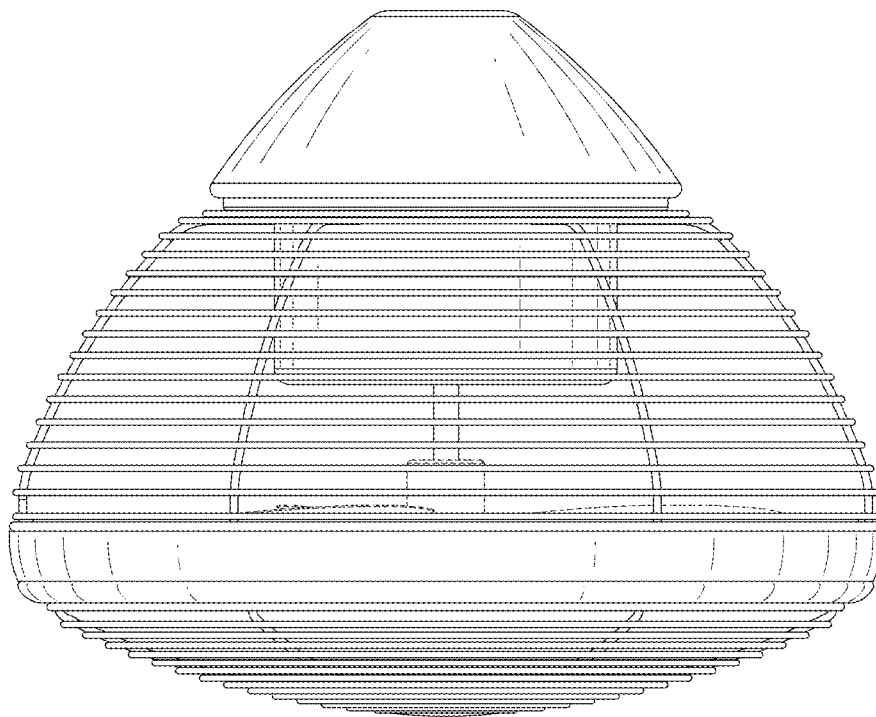


FIG. 2

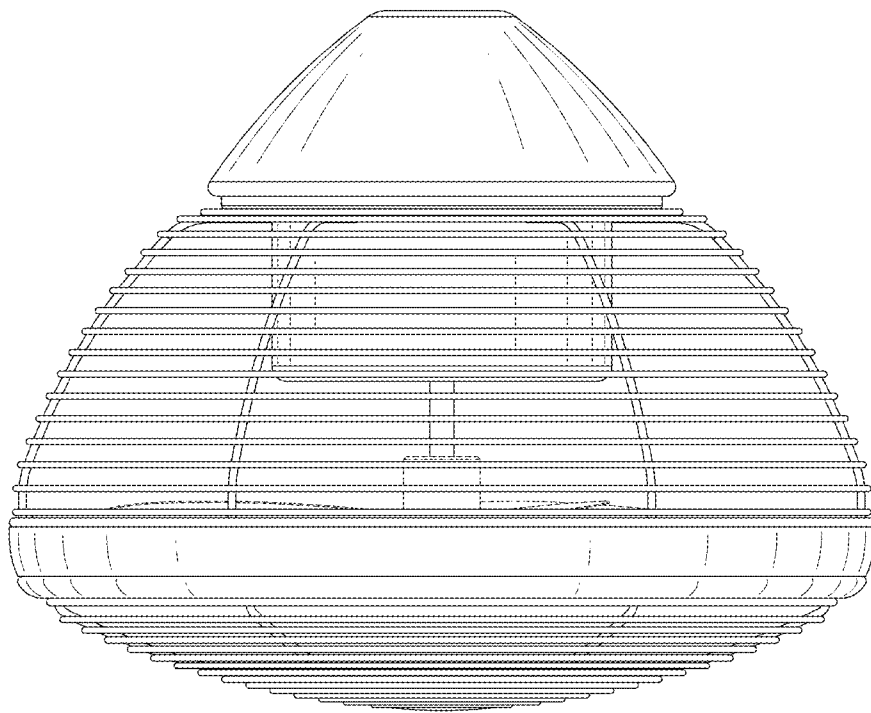


FIG. 3

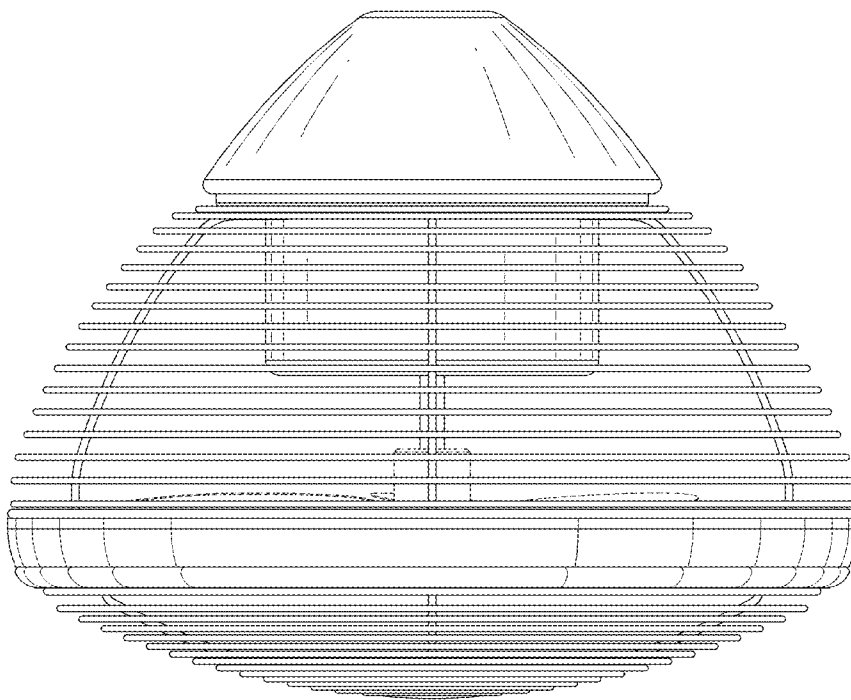


FIG. 4

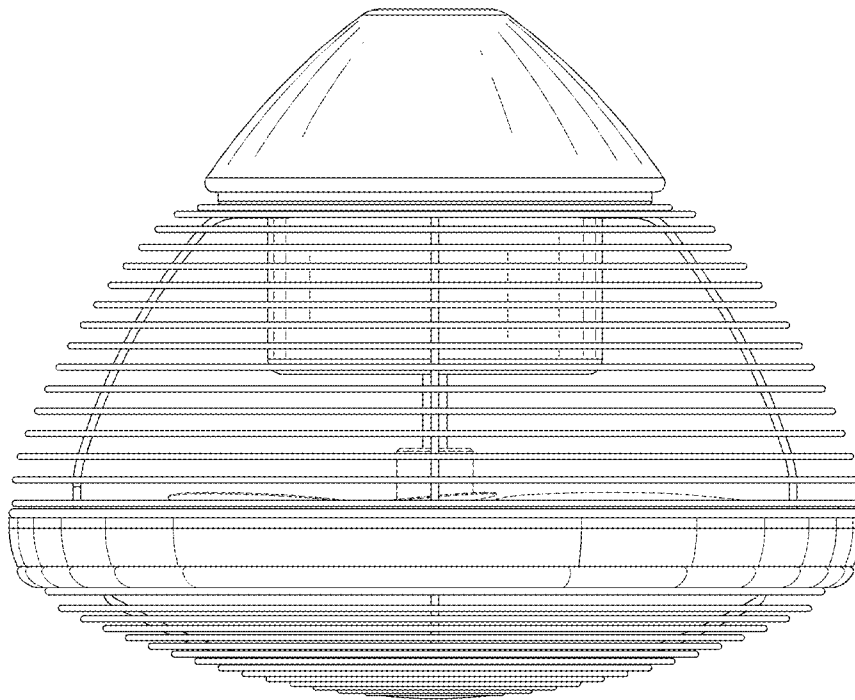


FIG. 5

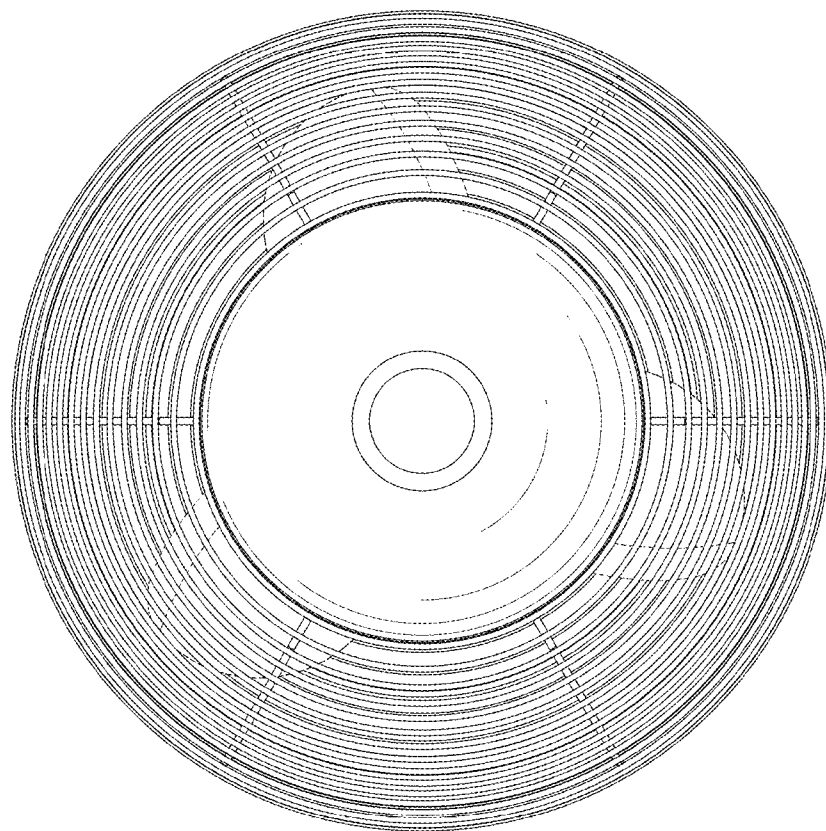


FIG. 6

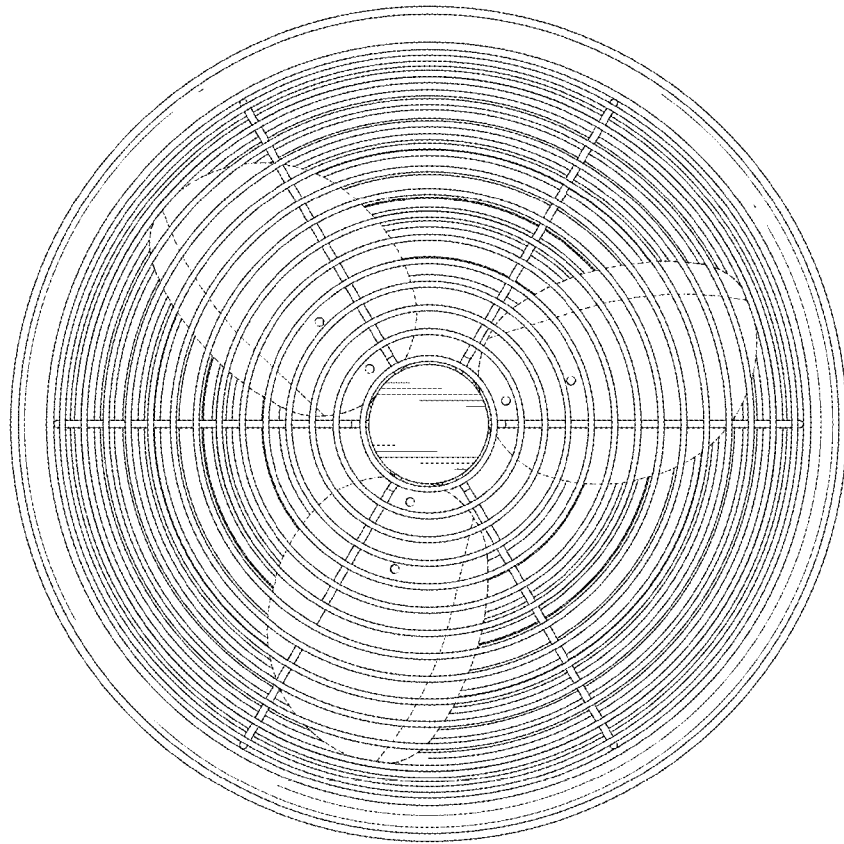


FIG. 7

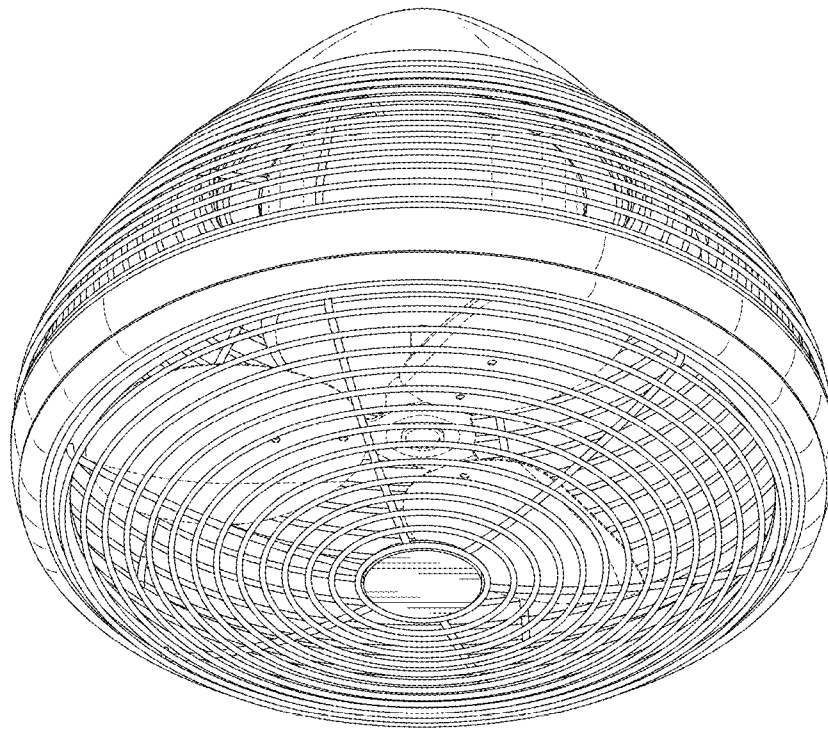


FIG. 8