

(19) World Intellectual Property Organization
International Bureau



(43) International Publication Date
3 April 2008 (03.04.2008)

PCT

(10) International Publication Number
WO 2008/038246 A3

- (51) **International Patent Classification:**
A61B 5/00 (2006.01) A61M 5/00 (2006.01)
- (21) **International Application Number:**
PCT/IB2007/053931
- (22) **International Filing Date:**
27 September 2007 (27.09.2007)
- (25) **Filing Language:** English
- (26) **Publication Language:** English
- (30) **Priority Data:**
60/827,488 29 September 2006 (29.09.2006) US
- (71) **Applicant (for all designated States except US):** KONINKLUKE PHILIPS ELECTRONICS, N.V. [NL/NL]; Groenewoudseweg 1, NL-5621 BA Eindhoven (NL).
- (72) **Inventors; and**
- (75) **Inventors/Applicants (for US only):** SHIMIZU, Jeff [US/US]; P.O. Box 3001 345 Scarborough Road, Briarcliff Manor, New York 10510-8001 (US). ZOU, Hans [US/US]; P.O. Box 3001 345 Scarborough Road, Briarcliff Manor, New York 10510-8001 (US). DUKSMAN, Johan, Frederik [NL/NL]; Groenewoudseweg 1, NL-5621 BA Eindhoven (NL). PIERIK, Anke [NL/NL]; Groenewoudseweg 1, NL-5621 BA Eindhoven (NL). RENSEN, Judith, Margreet [NL/NL]; Groenewoudseweg 1, NL-5621 BA Eindhoven (NL).
- (74) **Common Representative:** KONINKLUKE PHTTJPS ELECTRONICS, N.V.; c/o Yan Glickberg P.O. Box 3001, Scarborough Road, Briarcliff Manor, New York 10510-8001 (US).

- (81) **Designated States (unless otherwise indicated, for every kind of national protection available):** AE, AG, AL, AM, AT, AU, AZ, BA, BB, BG, BH, BR, BW, BY, BZ, CA, CH, CN, CO, CR, CU, CZ, DE, DK, DM, DO, DZ, EC, EE, EG, ES, FI, GB, GD, GE, GH, GM, GT, HN, HR, HU, ID, IL, IN, IS, JP, KE, KG, KM, KN, KP, KR, KZ, LA, LC, LK, LR, LS, LT, LU, LY, MA, MD, ME, MG, MK, MN, MW, MX, MY, MZ, NA, NG, NI, NO, NZ, OM, PG, PH, PL, PT, RO, RS, RU, SC, SD, SE, SG, SK, SL, SM, SV, SY, TJ, TM, TN, TR, TT, TZ, UA, UG, US, UZ, VC, VN, ZA, ZM, ZW
- (84) **Designated States (unless otherwise indicated, for every kind of regional protection available):** ARIPO (BW, GH, GM, KE, LS, MW, MZ, NA, SD, SL, SZ, TZ, UG, ZM, ZW), Eurasian (AM, AZ, BY, KG, KZ, MD, RU, TJ, TM), European (AT, BE, BG, CH, CY, CZ, DE, DK, EE, ES, FI, FR, GB, GR, HU, IE, IS, IT, LT, LU, LV, MC, MT, NL, PL, PT, RO, SE, SI, SK, TR), OAPI (BF, BJ, CF, CG, CI, CM, GA, GN, GQ, GW, ML, MR, NE, SN, TD, TG).

Declarations under Rule 4.17:

- as to applicant's entitlement to apply for and be granted a patent (Rule 4.17(U))
- as to the applicant's entitlement to claim the priority of the earlier application (Rule 4.17(Ui))

Published:

- with international search report
- before the expiration of the time limit for amending the claims and to be republished in the event of receipt of amendments

[Continued on next page]

(54) **Title:** MINIATURIZED THRESHOLD SENSOR

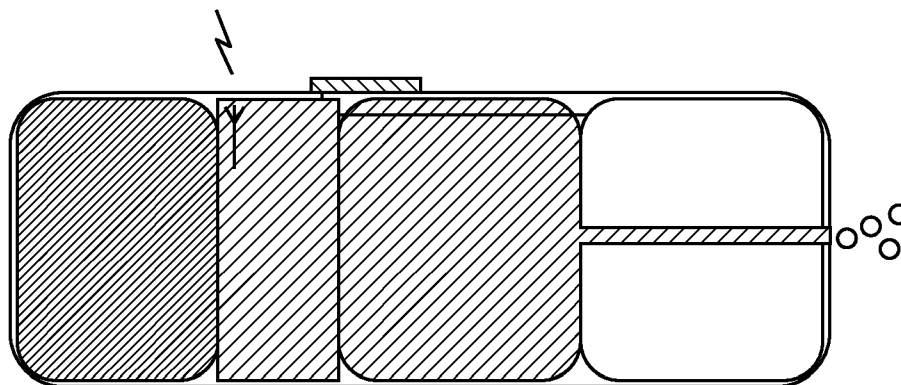


FIG 1

(57) **Abstract:** A sensor comprising a plurality of electrodes having a miniature size and a lower power consumption and a coating exterior to the electrodes, wherein the coating interacts with a target condition thereby producing a change in an electrical property of the electrodes, wherein the change is transduced into an electrical signal by the electrodes. Further a system for medication delivery comprising such sensor and a pill.

WO 2008/038246 A3



(88) Date of publication of the international search report:
9 October 2008

INTERNATIONAL SEARCH REPORT

International application No
PCT/IB2007/053931

A. CLASSIFICATION OF SUBJECT MATTER
INV. A61B5/00 A61M5/00

According to International Patent Classification (IPC) or to both national classification and IPC

B. FIELDS SEARCHED

Minimum documentation searched (classification system followed by classification symbols)
A61B G01N A61M

Documentation searched other than minimum documentation to the extent that such documents are included in the fields searched

Electronic data base consulted during the international search (name of data base and, where practical, search terms used)

EPO-Internal

C. DOCUMENTS CONSIDERED TO BE RELEVANT

Category	Citation of document, with indication, where appropriate, of the relevant passages	Relevant to claim No.
X	US 2005/123680 A1 (KANG SUN K [KR] ET AL) 9 June 2005 (2005-06-09) paragraphs [0002], [0012], [0013], [0018], [0019], [0040], [0043], [0063] - [0065], [0076]; figures 1,2A,8 -----	1-5
X	WO 00/10007 A (CALIFORNIA INST OF TECHN [US]; ARNOLD FRANCES H [US]; MICHAELS ALAN S) 24 February 2000 (2000-02-24) page 11, lines 7-9.	1,8-12
Y	page 12, line 2 - page 14, line 14 page 18, line 30 - page 19, line 1 page 51, line 14 - page 53, line 1 figure 12 ----- -/--	6,7,13, 22

Further documents are listed in the continuation of Box C.

See patent family annex.

Special categories of cited documents :

- "A" document defining the general state of the art which is not considered to be of particular relevance
- "E" earlier document but published on or after the international filing date
- "L" document which may throw doubts on priority claim(s) or which is cited to establish the publication date of another citation or other special reason (as specified)
- "O" document referring to an oral disclosure, use, exhibition or other means
- "p" document published prior to the international filing date but later than the priority date claimed

- "T" later document published after the international filing date or priority date and not in conflict with the application but cited to understand the principle or theory underlying the invention
- "X" document of particular relevance; the claimed invention cannot be considered novel or cannot be considered to involve an inventive step when the document is taken alone
- "Y" document of particular relevance; the claimed invention cannot be considered to involve an inventive step when the document is combined with one or more other such documents, such combination being obvious to a person skilled in the art.
- "&" document member of the same patent family

Date of the actual completion of the international search

18 July 2008

Date of mailing of the international search report

05/08/2008

Name and mailing address of the ISA/
European Patent Office, P.B. 5818 Palenlaan 2
NL - 2280 HV Rijswijk
Tel. (+31-70) 340-2040, Tx. 31 651 epo nl,
Fax: (+31-70) 340-3016

Authorized officer

Rapp, Alexander

INTERNATIONAL SEARCH REPORT

international application No
PCT/IB2007/053931

C(Continuation). DOCUMENTS CONSIDERED TO BE RELEVANT		
Category'	Citation of document with indication, where appropriate, of the relevant passages	Relevant to claim No
Y	US 3 340 866 A (GUNTER NOLLER HANS) 12 September 1967 (1967-09-12) column 3, lines 15-25 -----	6,7
Y	WO 2004/066903 A (PILL PHARMA LTD E [IL]; GROSS YOSSI [IL]; SELA YORAM [IL]) 12 August 2004 (2004-08-12) page 14, line 26 - page 15, line 6 page 37, lines 22-24 page 39, line 25 - page 42, line 12 page 44, lines 25-31 page 53, lines 8-27 figures 2, 3A, 3B, 14A, 14B, 21A, 21B -----	13,22

INTERNATIONAL SEARCH REPORT

International application No.
PCT/IB2007/053931

Box No. II Observations where certain claims were found unsearchable (Continuation of item 2 of first sheet)

This international search report has not been established in respect of certain claims under Article 17(2)(a) for the following reasons:

1. Claims Nos.: 14-21
because they relate to subject matter not required to be searched by this Authority, namely:

Rule 39.1(iv) PCT - Method for treatment of the human or animal body by surgery. The claims describe the surgical method step of inserting the apparatus into a cavity comprising i.a. a lung or a vascular tract.
2. Claims Nos.:
because they relate to parts of the international application that do not comply with the prescribed requirements to such an extent that no meaningful international search can be carried out, specifically:
3. Claims Nos.:
because they are dependent claims and are not drafted in accordance with the second and third sentences of Rule 6.4(a).

Box No. III Observations where unity of invention is lacking (Continuation of item 3 of first sheet)

This International Searching Authority found multiple inventions in this international application, as follows:

1. As all required additional search fees were timely paid by the applicant, this international search report covers allsearchable claim..ß.
2. As all searchable claims could be searched without effort justifying an additional fees, this Authority did not invite payment of additional fees.
3. As only some of the required additional search fees were timely paid by the applicant, this international search report covers only those claims for which fees were paid, specifically claims Nos.:
4. No required additional search fees were timely paid by the applicant. Consequently, this international search report is restricted to the invention first mentioned in the claims; it is covered by claims Nos.:

Remark on Protest

- The additional search fees were accompanied by the applicant's protest and, where applicable, the payment of a protest fee.
- The additional search fees were accompanied by the applicant's protest but the applicable protest fee was not paid within the time limit specified in the invitation.
- No protest accompanied the payment of additional search fees.

INTERNATIONAL SEARCH REPORT

International application No
PCT/IB2007/053931

Patent document cited in search report	Publication date	Patent family member(s)	Publication date
US 2005123680 A1	09-06-2005	KR 20050055202 A	13-06-2005
WO 0010007 A	24-02-2000	AU 5565299 A	06-03-2000
us 3340866 A	12-09-1967	DE 1220966 B	14-07-1966
WO 2004066903 A	12-08-2004	AU 2004208580 A1	12-08-2004
		CA 2514392 A1	12-08-2004
		CN 1774239 A	17-05-2006
		EP 1594477 A2	16-11-2005
		JP 2006517827 T	03-08-2006
		KR 20050098277 A	11-10-2005