



US0D1014152S

(12) **United States Design Patent**
Xiao

(10) **Patent No.:** **US D1,014,152 S**

(45) **Date of Patent:** **** Feb. 13, 2024**

(54) **STORAGE BOX**

D968,132 S * 11/2022 Sun D6/667
D985,975 S * 5/2023 Xiao D6/667
D988,039 S 6/2023 Xiao

(71) Applicant: **TAIZHOU SUKK TECHNOLOGY CO., LTD.**, Taizhou (CN)

* cited by examiner

(72) Inventor: **Shuangshuang Xiao**, Taizhou (CN)

Primary Examiner — Mimosa De

(73) Assignee: **TAIZHOU SUKK TECHNOLOGY CO., LTD.**, Taizhou (CN)

(74) *Attorney, Agent, or Firm* — ScienBiziP, P.C.

(**) Term: **15 Years**

(57) **CLAIM**

(21) Appl. No.: **29/900,882**

The ornamental design for a storage box, as shown and described.

(22) Filed: **Aug. 25, 2023**

DESCRIPTION

(51) **LOC (14) Cl.** **06-04**

(52) **U.S. Cl.**

USPC **D6/663**; D6/667

(58) **Field of Classification Search**

USPC D6/663, 664, 667, 671, 671.1, 671.2,
D6/671.3, 671.4; D3/272, 273, 282, 294
CPC A47B 17/04; A47B 47/03; A47B 47/04;
A47B 47/042; A47B 47/045; A47B
47/05; A47B 67/00; A47B 57/00; A47B
63/00; B65D 43/16; B65D 43/165
See application file for complete search history.

FIG. 1 is a rear, left, and top perspective view of a storage box, showing my new design;
FIG. 2 is a front, right, and bottom perspective view of;
FIG. 3 is a front elevation view thereof;
FIG. 4 is a rear elevation view thereof;
FIG. 5 is a top plan view thereof;
FIG. 6 is a bottom plan view thereof;
FIG. 7 is a left side elevation view thereof;
FIG. 8 is a right side elevation view thereof;
FIG. 9 is an enlarged view of an encircled area labeled "9" in FIG. 1; and,
FIG. 10 is a front, left, and top perspective view of the storage box of FIG. 1 in a use state.

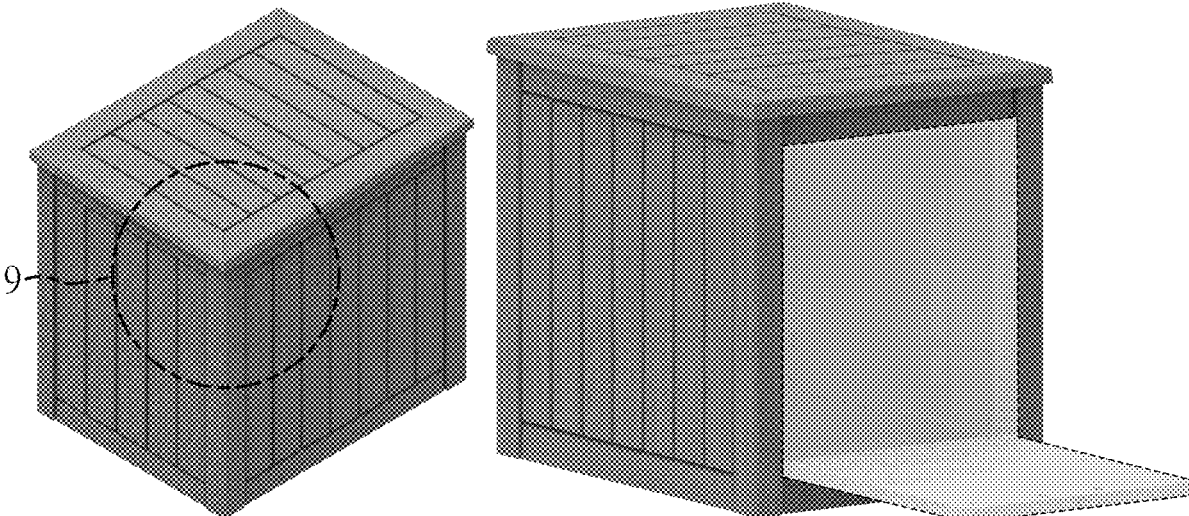
(56) **References Cited**

U.S. PATENT DOCUMENTS

D349,610 S 8/1994 Scott, Jr. et al.
D444,626 S 7/2001 Anderson et al.
D914,402 S 3/2021 Xiao
D914,403 S 3/2021 Xiao
D914,404 S * 3/2021 Xiao D6/667
D947,520 S 4/2022 Xiao
D947,582 S * 4/2022 Kopp D3/272

The broken lines shown in the drawings are included for the purpose of illustrating portions of the storage box that form no part of the claimed design.
Dot-dash broken lines in FIGS. 1 and 9 framing portions of the claimed design that are illustrated for enlargements form no part of the claimed design.

1 Claim, 10 Drawing Sheets



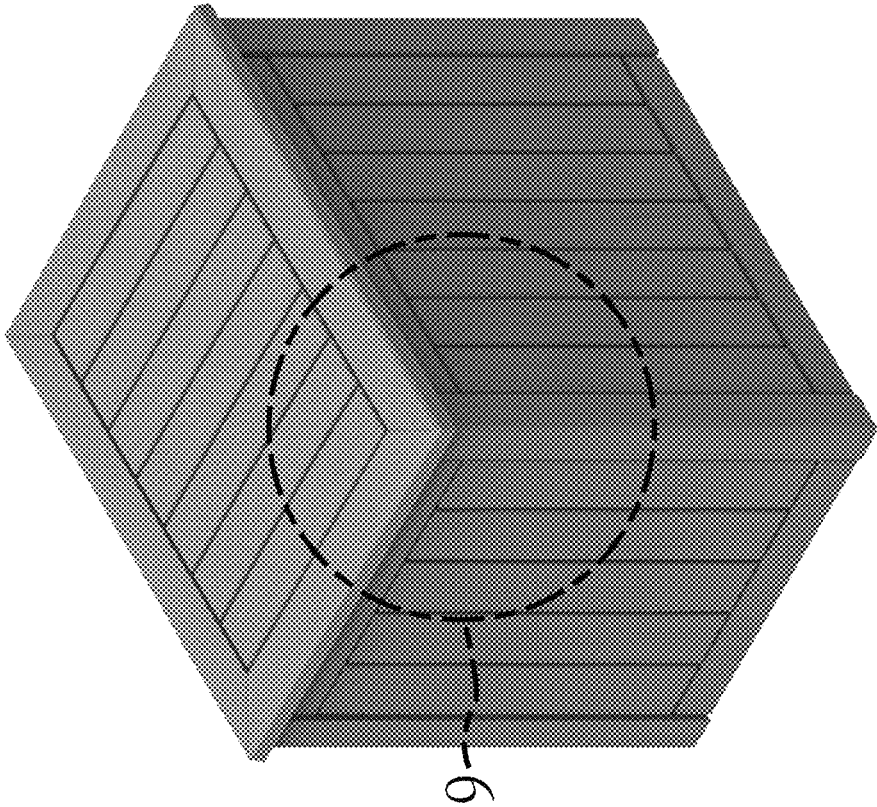


FIG. 1



FIG. 2

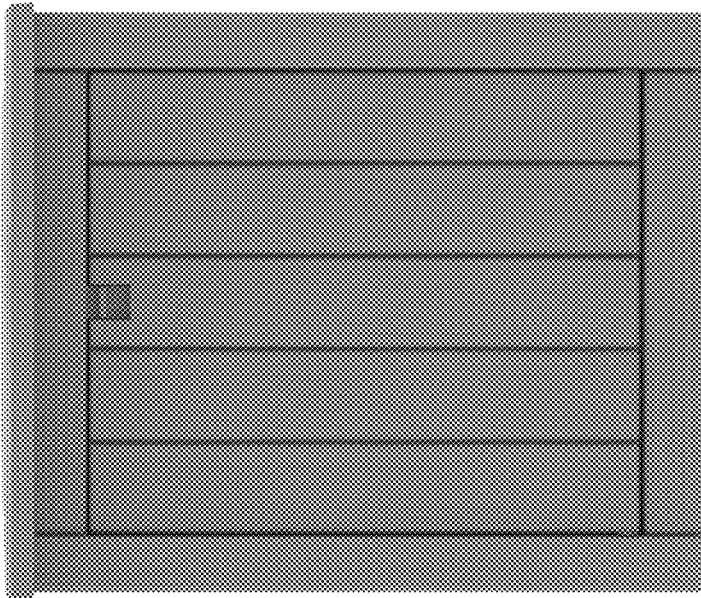


FIG. 3

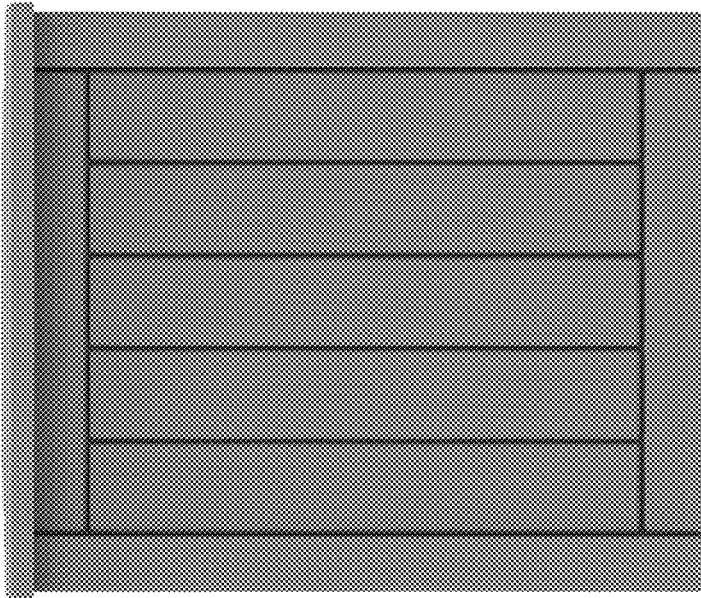


FIG. 4

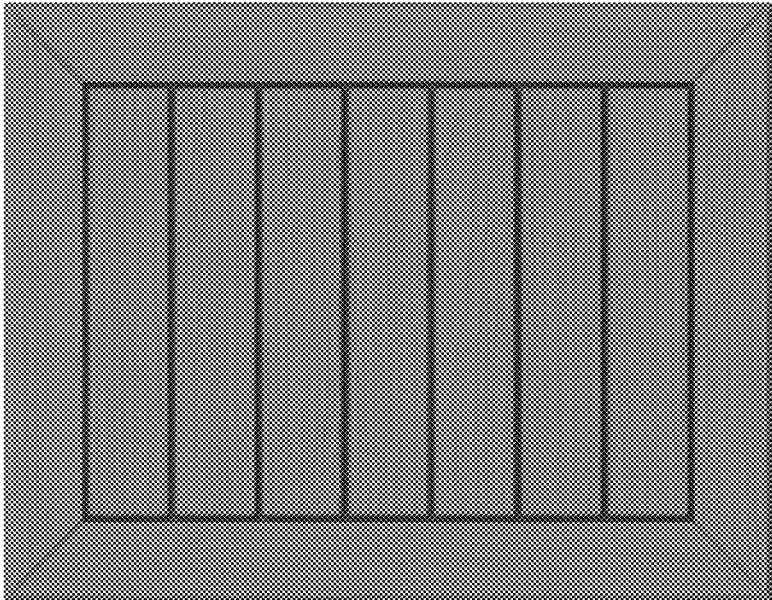


FIG. 5

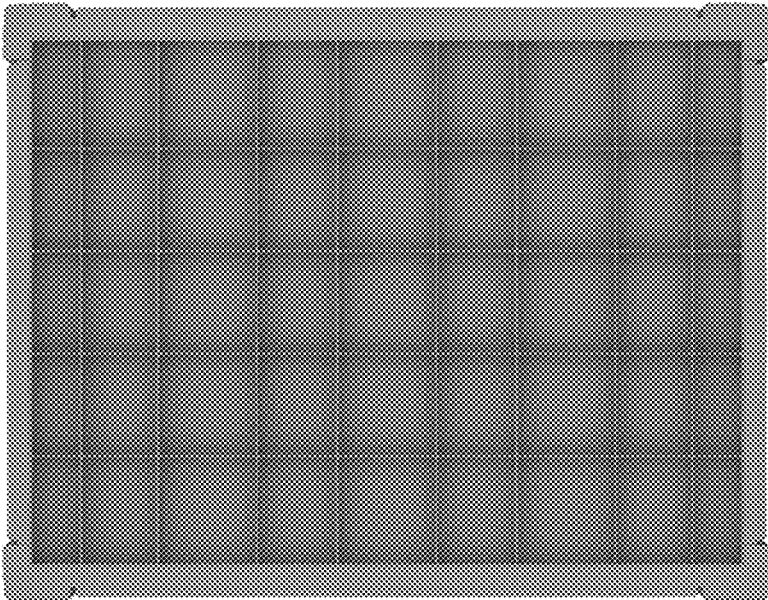


FIG. 6



FIG. 7

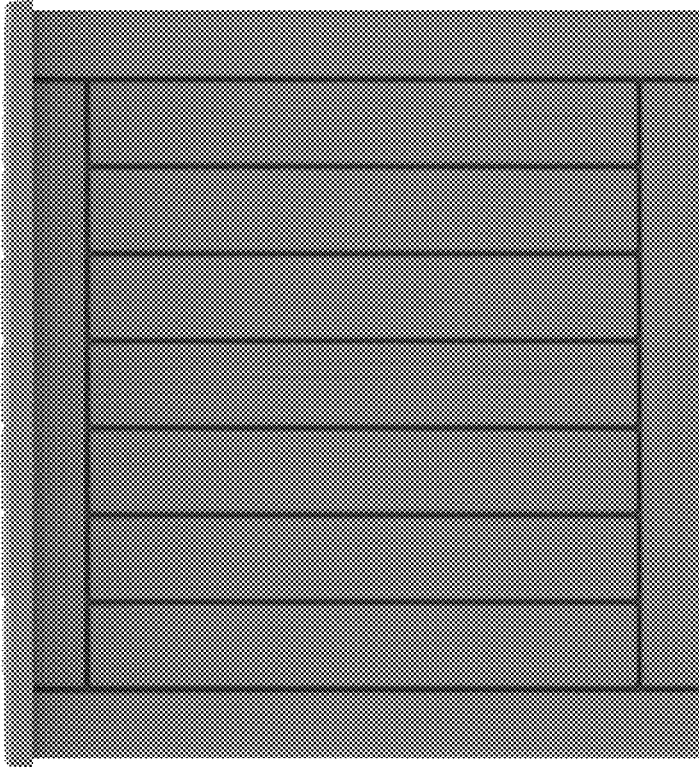


FIG. 8

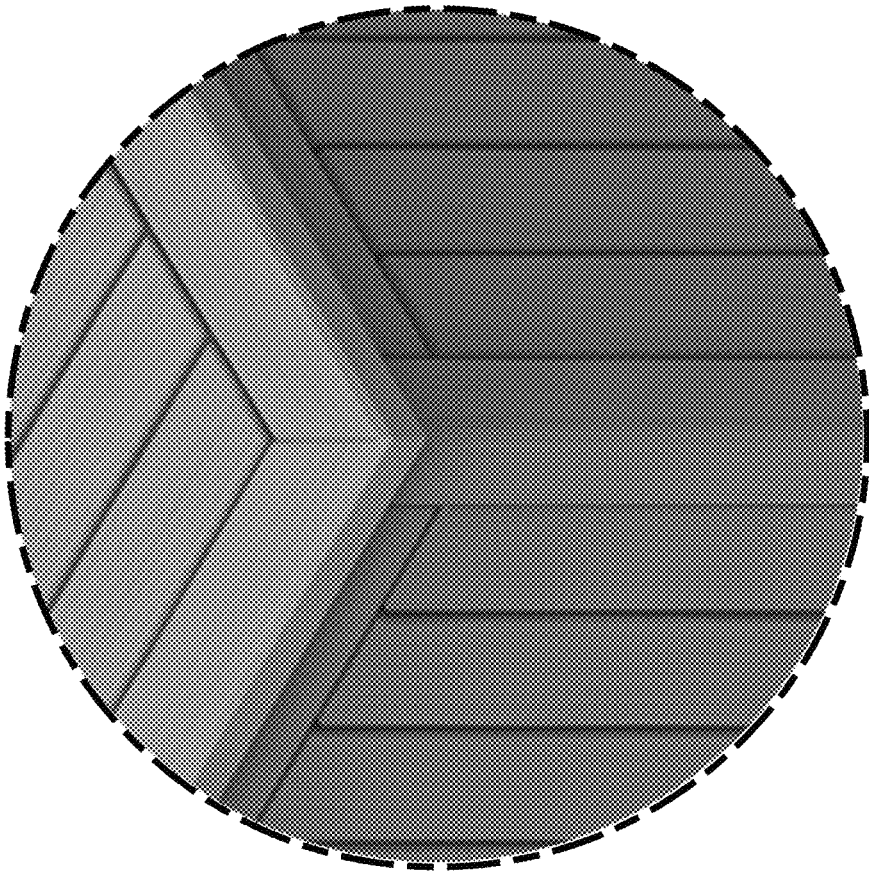


FIG. 9

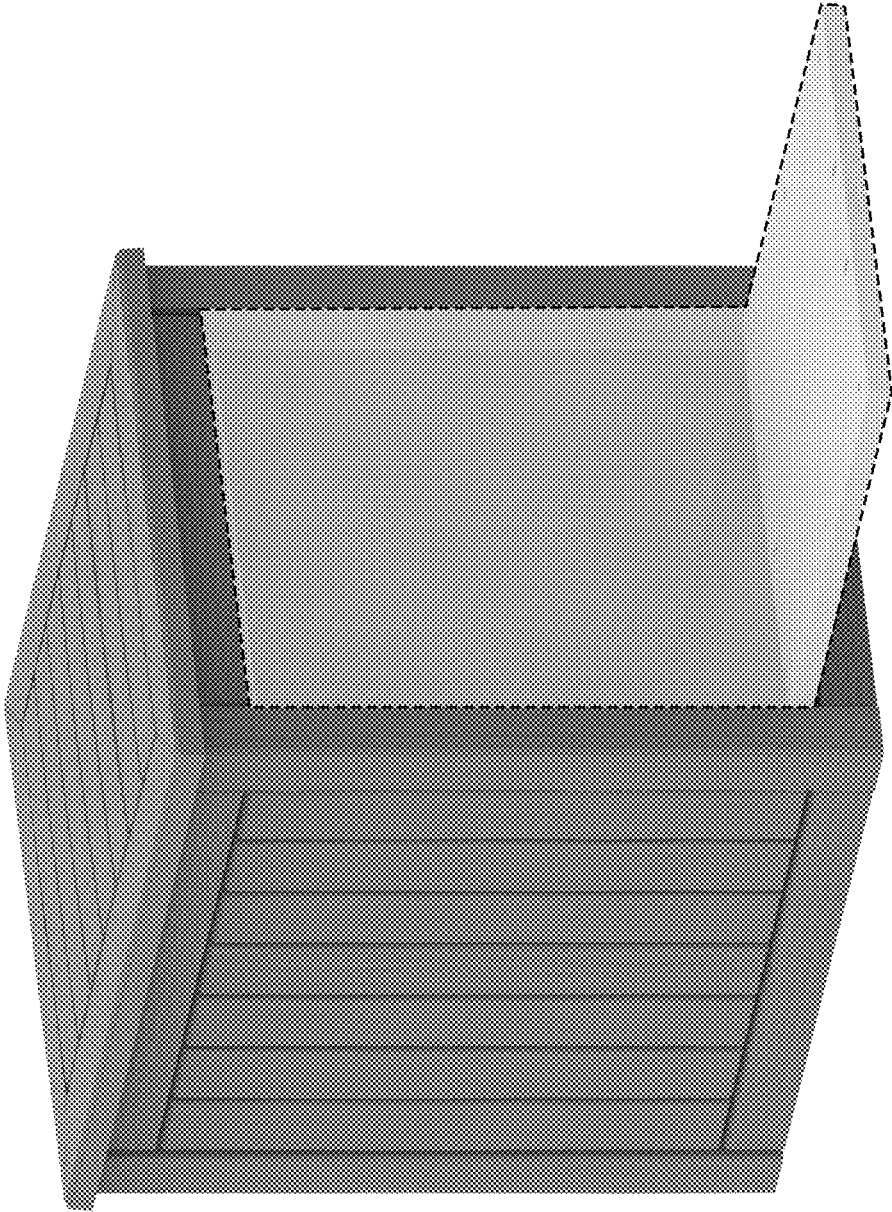


FIG. 10