

(19) World Intellectual Property Organization
International Bureau



(43) International Publication Date
28 February 2008 (28.02.2008)

PCT

(10) International Publication Number
WO 2008/024689 A3

(51) International Patent Classification:

A61B 17/56 (2006.01) A61B 17/60 (2006.01)
A61B 17/58 (2006.01) A61F 2/00 (2006.01)
A61F 2/30 (2006.01)

(21) International Application Number:

PCT/US2007/076249

(22) International Filing Date: 17 August 2007 (17.08.2007)

(25) Filing Language: English

(26) Publication Language: English

(30) Priority Data:

60/823,246 22 August 2006 (22.08.2006) US
11/771,770 29 June 2007 (29.06.2007) US

(71) Applicant (for all designated States except US): **NEURO-PRO TECHNOLOGIES, INC.** [US/US]; 4707 Greenleaf Ct., Suite C, Modesto, CA 95356 (US).

(72) Inventors; and

(75) Inventors/Applicants (for US only): **REMINGTON, Benjamin, J.** [US/US]; 7442 River Nine Drive, Modesto, CA 95356 (US). **BAKER, Daniel, R.** [US/US]; 7433 Keen Way N., Seattle, WA 98103 (US). **MITCHELL, Stuart, B.** [US/US]; 18712 - 23rd Avenue N.E., Lake Forest Park, WA 98115 (US). **MIRISOLA, Jeffrey, R.** [US/US]; 23220 - 48th Avenue S.E., Bothell, WA 98021 (US). **GREEN, John, I.** [US/US]; 6337 Falling Brook Drive, Burke, VA 22015 (US).

(74) Agents: **SLEATH, Janet** et al.; Speckman Law Group PLLC, 1201 Third Avenue, Suite 330, Seattle, WA 98101 (US).

(81) Designated States (unless otherwise indicated, for every kind of national protection available): AE, AG, AL, AM, AT, AU, AZ, BA, BB, BG, BH, BR, BW, BY, BZ, CA, CH, CN, CO, CR, CU, CZ, DE, DK, DM, DO, DZ, EC, EE, EG, ES, FI, GB, GD, GE, GH, GM, GT, HN, HR, HU, ID, IL, IN, IS, JP, KE, KG, KM, KN, KP, KR, KZ, LA, LC, LK, LR, LS, LT, LU, LY, MA, MD, ME, MG, MK, MN, MW, MX, MY, MZ, NA, NG, NI, NO, NZ, OM, PG, PH, PL, PT, RO, RS, RU, SC, SD, SE, SG, SK, SL, SM, SV, SY, TJ, TM, TN, TR, TT, TZ, UA, UG, US, UZ, VC, VN, ZA, ZM, ZW.

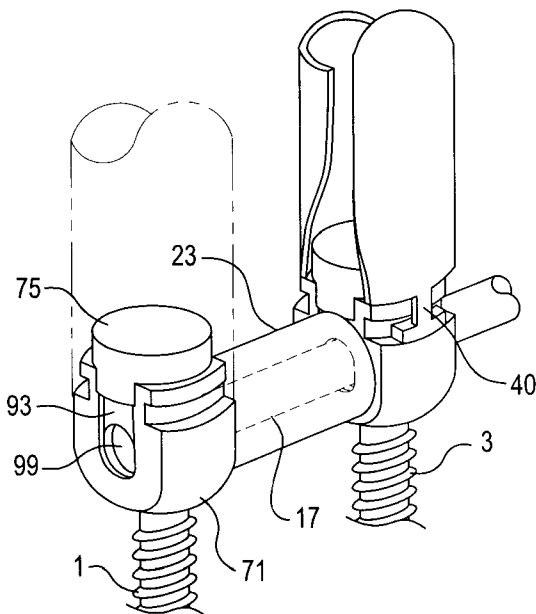
(84) Designated States (unless otherwise indicated, for every kind of regional protection available): ARIPO (BW, GH, GM, KE, LS, MW, MZ, NA, SD, SL, SZ, TZ, UG, ZM, ZW), Eurasian (AM, AZ, BY, KG, KZ, MD, RU, TJ, TM), European (AT, BE, BG, CH, CY, CZ, DE, DK, EE, ES, FI, FR, GB, GR, HU, IE, IS, IT, LT, LU, LV, MC, MT, NL, PL, PT, RO, SE, SI, SK, TR), OAPI (BF, BJ, CF, CG, CI, CM, GA, GN, GQ, GW, ML, MR, NE, SN, TD, TG).

Published:

- with international search report
- before the expiration of the time limit for amending the claims and to be republished in the event of receipt of amendments

(88) Date of publication of the international search report: 26 June 2008

(54) Title: PERCUTANEOUS SYSTEM FOR DYNAMIC SPINAL STABILIZATION



(57) Abstract: A minimally invasive, percutaneous system that allows for dynamic stabilization of the spine is provided, together with methods of using the system. The system comprises a first bone anchoring member that is anchored in a first vertebra, and a second bone anchoring member that is anchored in a second, adjacent, vertebra. The first and second bone anchoring members include a first head portion and second head portion, respectively, that are designed to hold first and second ends of a flexible, elongated member, or cord. In certain embodiments, the cord is provided with a stiffened, relatively inflexible, end portion that is fixedly attached to the cord and that facilitates threading of the cord through the first and second head portions.

WO 2008/024689 A3

INTERNATIONAL SEARCH REPORT

International application No.

PCT/US07/76249

A. CLASSIFICATION OF SUBJECT MATTER

IPC: **A61B 17/56(2006.01);A61B 17/58(2006.01);A61F 2/30(2006.01);A61B 17/60(2006.01);A61F 2/00(2006.01)**

USPC: 606/254,99,104

According to International Patent Classification (IPC) or to both national classification and IPC

B. FIELDS SEARCHED

Minimum documentation searched (classification system followed by classification symbols)
U.S. : 606//246-279,99,104

Documentation searched other than minimum documentation to the extent that such documents are included in the fields searched

Electronic data base consulted during the international search (name of data base and, where practicable, search terms used)

C. DOCUMENTS CONSIDERED TO BE RELEVANT

Category *	Citation of document, with indication, where appropriate, of the relevant passages	Relevant to claim No.
X	US 2005/0131408 A1 (Seivol et al.) 16 June 2005 (16.06.2005), paragraphs 37-39.	33,35
A	US 2005/0065517 A1 (Chin) 24 March 2005 (24.03.2005)	
A	US 7073415 B2 (Casutt et al.) 11 July 2006 (11.07.2006)	
A	US 2006/0079909 A1 (Runco et al.) 13 April 2006 (13.04.2006)	
A	US 2005/0192589 A1 (Raymond et al.) 1 September 2005 (01.09.2005)	
A	US 6929606 B2 (Ritland) 16 August 2005 (16.08.2005)	

Further documents are listed in the continuation of Box C.

See patent family annex.

* Special categories of cited documents:		
"A" document defining the general state of the art which is not considered to be of particular relevance	"T"	later document published after the international filing date or priority date and not in conflict with the application but cited to understand the principle or theory underlying the invention
"E" earlier application or patent published on or after the international filing date	"X"	document of particular relevance; the claimed invention cannot be considered novel or cannot be considered to involve an inventive step when the document is taken alone
"L" document which may throw doubts on priority claim(s) or which is cited to establish the publication date of another citation or other special reason (as specified)	"Y"	document of particular relevance; the claimed invention cannot be considered to involve an inventive step when the document is combined with one or more other such documents, such combination being obvious to a person skilled in the art
"O" document referring to an oral disclosure, use, exhibition or other means		
"P" document published prior to the international filing date but later than the priority date claimed	"&"	document member of the same patent family

Date of the actual completion of the international search
31 March 2008 (31.03.2008)

Date of mailing of the international search report
23 APR 2008

Name and mailing address of the ISA/US
Mail Stop PCT, Attn: ISA/US
Commissioner of Patents
P.O. Box 1450
Alexandria, Virginia 22313-1450

Authorized officer
Eduardo Robert *Eduardo Robert*
Telephone No. 571-272-3472

Facsimile No. (571) 273-3201