



US00D766600S

(12) **United States Design Patent** (10) **Patent No.:** **US D766,600 S**
Barre et al. (45) **Date of Patent:** **** Sep. 20, 2016**

(54) **GARMENT HANGER** 3,565,261 A * 2/1971 Albino A47G 25/743
211/119
(71) Applicant: **NEATFREAK GROUP INC.,** 4,253,577 A * 3/1981 Macfarlane A47G 25/18
Mississauga (CA) 211/118
4,932,571 A 6/1990 Blanchard
(72) Inventors: **Bertrand Barre, Lapeyrouse (FR);** D320,699 S * 10/1991 Beloe D6/317
Francis Lepage, Dommartin (FR) D356,894 S * 4/1995 Andersson D6/315
D363,185 S * 10/1995 Thompson D6/315
D365,448 S * 12/1995 Travis D6/315
(73) Assignee: **Neatfreak Group Inc., Mississauga,** D401,705 S * 11/1998 Jones D32/58
Ontario (CA) D608,099 S * 1/2010 Mangano D6/319
D688,473 S * 8/2013 Cohen D6/319
D737,583 S * 9/2015 Li D6/319
(**) Term: **15 Years** 2007/0017941 A1 * 1/2007 Baessler A47G 25/487
223/85

(21) Appl. No.: **29/546,059**

* cited by examiner

(22) Filed: **Nov. 18, 2015**

Primary Examiner — Derrick Holland
Assistant Examiner — Lauren Calve

(51) **LOC (10) CL.** **06-08**

(74) *Attorney, Agent, or Firm* — Patzik, Frank & Samotny Ltd.

(52) **U.S. CL.**

USPC **D6/319**

(58) **Field of Classification Search**

(57) **CLAIM**

The ornamental design for a garment hanger, as shown and described.

USPC D6/315–328; 223/85–98; 211/10, 13.1,
211/85.3, 113
CPC A47G 25/14; A47G 25/28; A47G 25/26;
A47G 25/30; A47G 25/36; A47G 25/50;
A47G 25/442; A47G 25/483; A47G 25/743;
A47G 25/4023; A47F 5/0006
See application file for complete search history.

DESCRIPTION

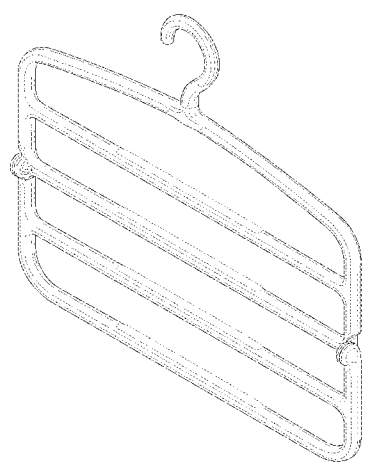
FIG. 1 is a front perspective view of a garment hanger of the present invention;
FIG. 2 is a front elevation view of the garment hanger of the present invention;
FIG. 3 is a rear elevation view of the garment hanger of the present invention;
FIG. 4 is a left-side elevation view of the garment hanger of the present invention;
FIG. 5 is a right-side elevation view of the garment hanger of the present invention.
FIG. 6 is a top plan view of the garment hanger of the present invention; and,
FIG. 7 is a bottom plan view of the garment hanger of the present invention.
The broken lines shown represent unclaimed subject matter and form no part of the claimed design.
The broken lines that abut the shaded portions represent unclaimed boundaries and form no part of the claimed design.

(56) **References Cited**

U.S. PATENT DOCUMENTS

500,879 A	7/1893	Frankel	
1,258,476 A	3/1918	Severence	
1,302,793 A *	5/1919	Hanson	A47G 25/22 223/88
2,058,217 A	10/1936	Dixon	
2,506,510 A	5/1950	Longwell et al.	
2,549,588 A *	4/1951	Fillenbaum	A47G 25/18 223/88
2,567,434 A *	9/1951	Hoskings	A47K 10/06 211/113
2,601,926 A *	7/1952	Speaker	A47G 25/18 211/113
2,886,185 A *	5/1959	Arrington	A47G 25/743 211/119
3,352,430 A *	11/1967	McAtee	A47G 25/24 211/119

1 Claim, 5 Drawing Sheets



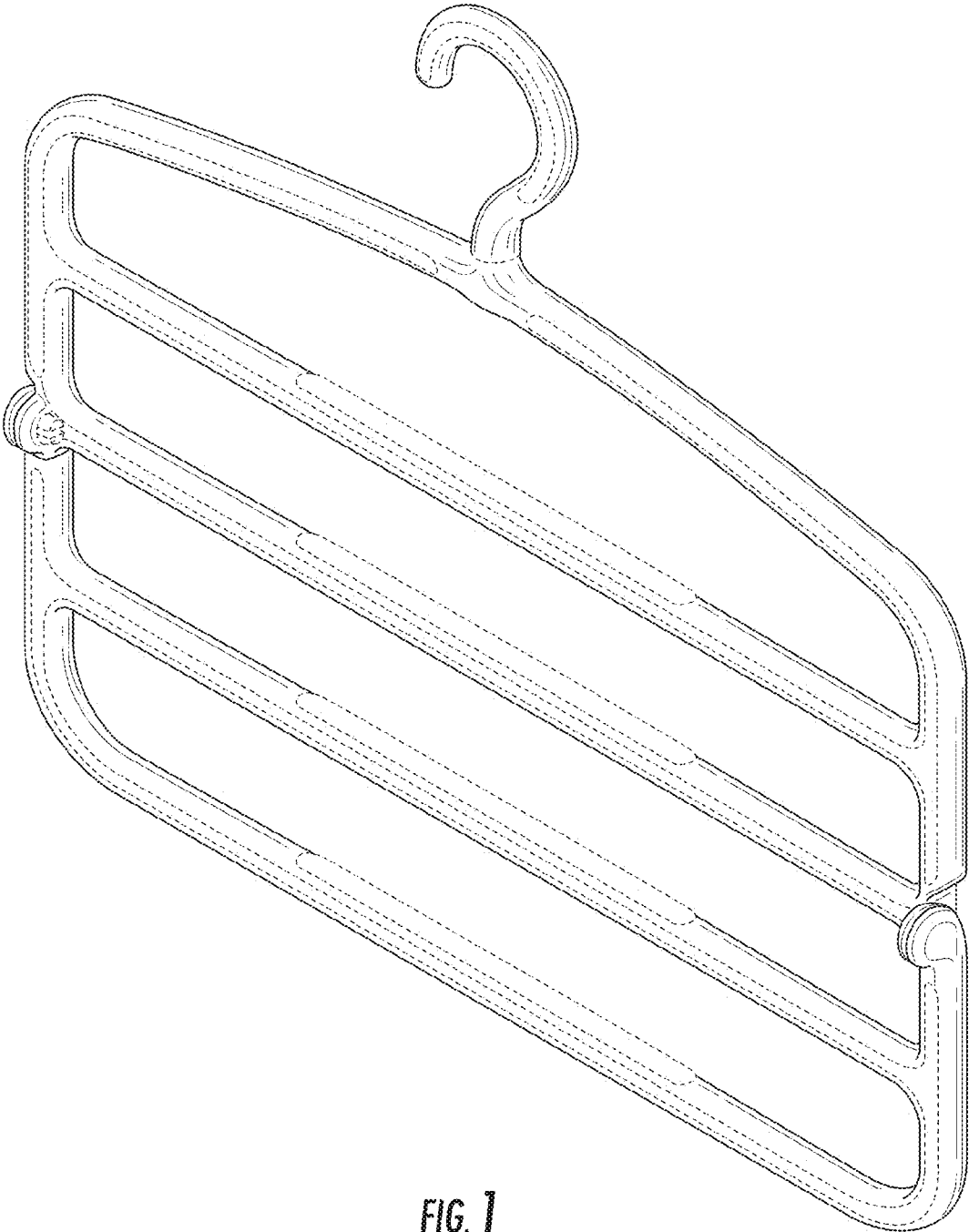


FIG. 1

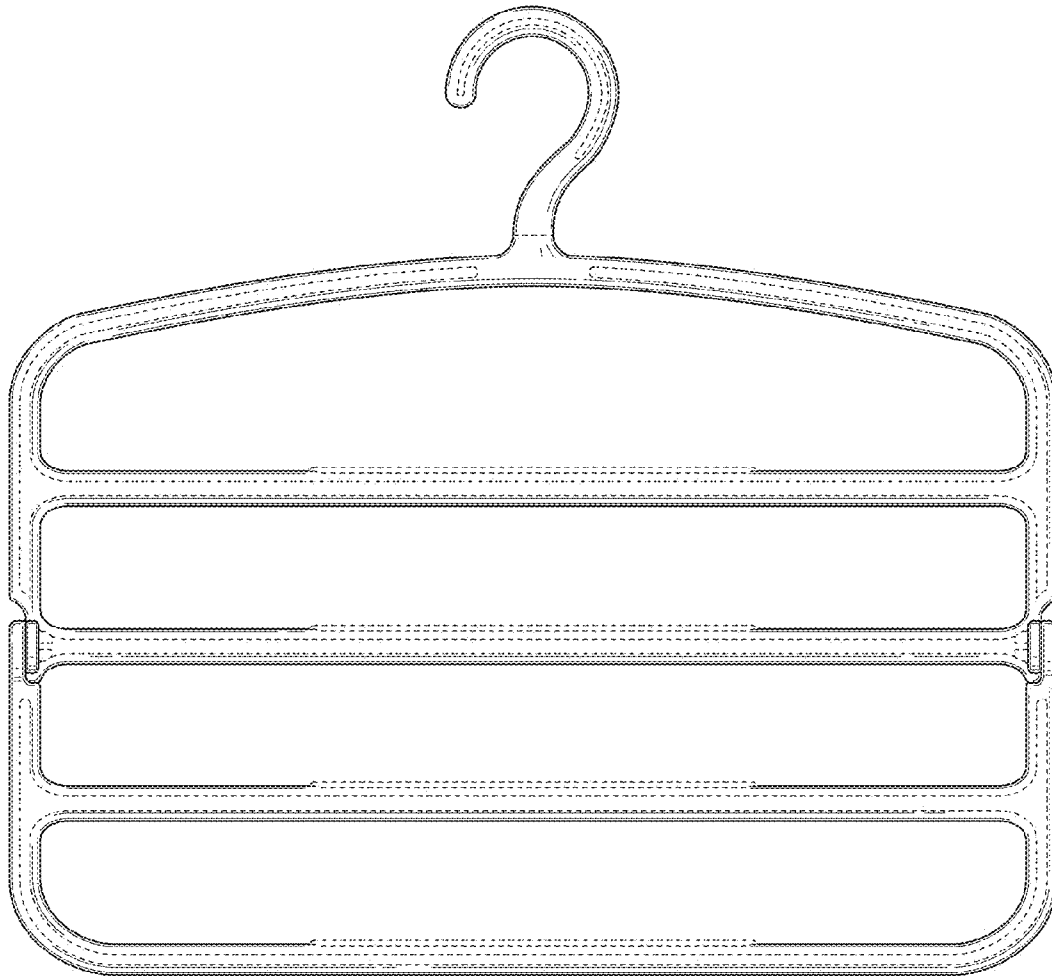


FIG. 2

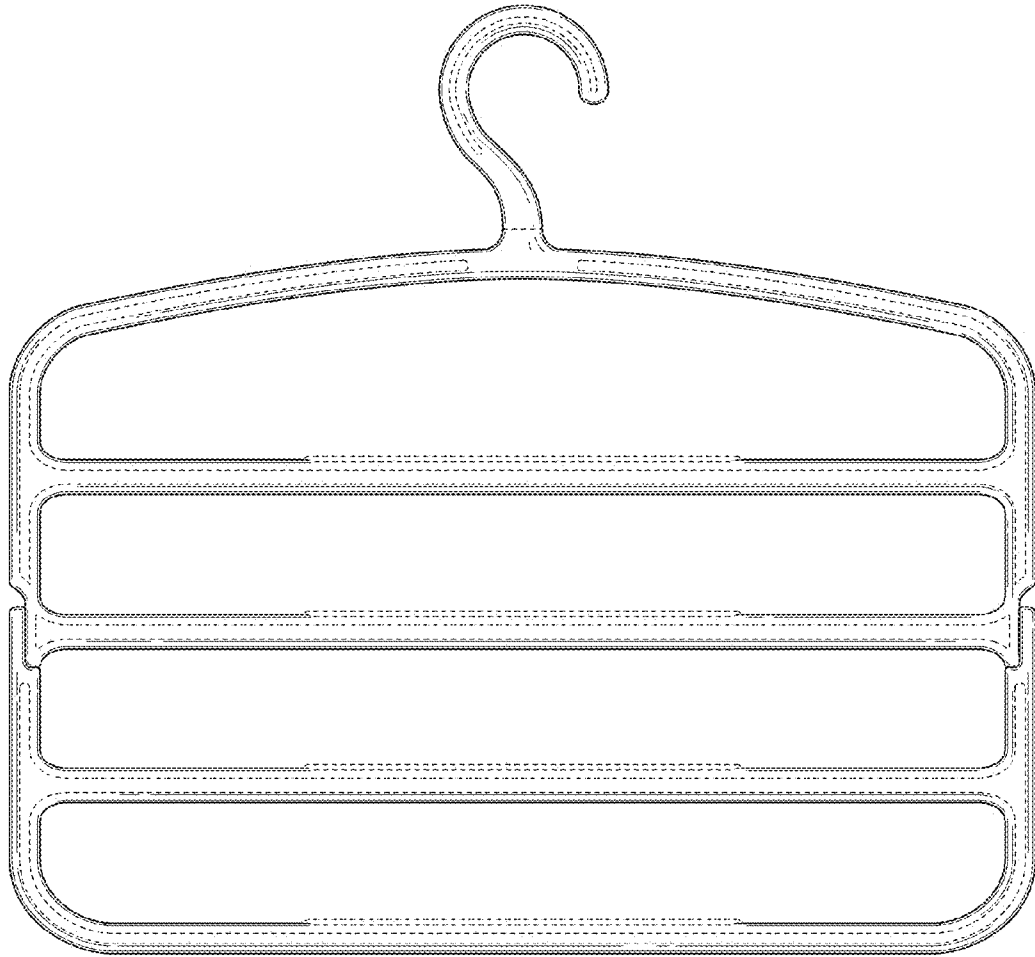


FIG. 3

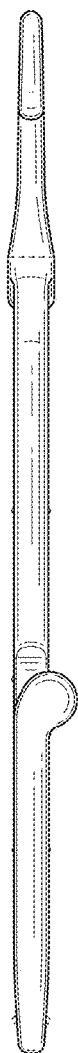


FIG. 4



FIG. 5



FIG. 6

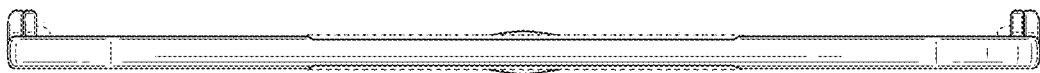


FIG. 7