



US00D990958S

(12) **United States Design Patent**
Regamey et al.

(10) **Patent No.:** **US D990,958 S**

(45) **Date of Patent:** **** Jul. 4, 2023**

- (54) **BEVERAGES MACHINE**
- (71) Applicant: **CAFÉ TRÈS CORAÇÕES S/A**, São Benedito (BR)
- (72) Inventors: **Damien Regamey**, Bienne (CH); **Heiko Stahl**, Bienne (CH)
- (73) Assignee: **CAFÉ TRÈS CORAÇÕES S.A.**, São Benedito (BR)
- (**) Term: **15 Years**
- (21) Appl. No.: **29/814,963**
- (22) Filed: **Nov. 10, 2021**

Foreign Application Priority Data

May 14, 2021 (EP) 008539118

- (51) **LOC (14) Cl.** **07-01**
- (52) **U.S. Cl.**

USPC **D7/311**

(58) **Field of Classification Search**

USPC D7/300, 305, 306, 307, 308, 309, 310,
D7/311, 312, 315, 397, 398, 399

CPC A47G 19/12; A47G 19/14; A47G 19/16;
A47J 31/02; A47J 31/043; A47J 31/057;
A47J 31/053; A47J 31/0573; A47J 31/44;
A47J 31/56; A47J 31/08; A47J 31/007;
B65D 2581/3409

See application file for complete search history.

(56) **References Cited**

U.S. PATENT DOCUMENTS

- D499,927 S * 12/2004 Lloyd D7/311
- D565,886 S * 4/2008 Bardazzi D7/311
- D577,252 S * 9/2008 Kotoku D7/399
- D584,095 S * 1/2009 Luippold D7/311
- D656,772 S * 4/2012 Regamey D7/311

- D674,232 S * 1/2013 Lavy D7/311
- D674,233 S * 1/2013 Lavy D7/311
- D683,174 S * 5/2013 Regamey D7/311
- D695,560 S * 12/2013 Cahen D7/311
- D699,065 S * 2/2014 Bucher D7/311
- D702,984 S * 4/2014 Hanneson D7/311
- D714,088 S * 9/2014 Cahen D7/311
- D723,317 S * 3/2015 Manly D7/311
- D725,954 S * 4/2015 Michel D7/311
- D726,478 S * 4/2015 Cahen D7/311
- D738,149 S * 9/2015 Ye D7/311
- D742,159 S * 11/2015 Doria D7/311
- D743,199 S * 11/2015 Bardazzi D7/311
- D755,000 S * 5/2016 Lovati D7/311
- D755,555 S * 5/2016 Struzka D7/311
- D779,257 S * 2/2017 Hale D7/311
- D820,627 S * 6/2018 Nabeiro D7/311
- D840,733 S * 2/2019 Hale D7/311
- D853,166 S * 7/2019 Koury D7/311
- D881,625 S * 4/2020 Borrelli D7/311
- D934,445 S * 10/2021 Kaplun D24/220
- D948,911 S * 4/2022 Cha D7/311

(Continued)

Primary Examiner — Joseph Kukella

Assistant Examiner — Darryl J Dardenne

(74) *Attorney, Agent, or Firm* — Polsinelli PC

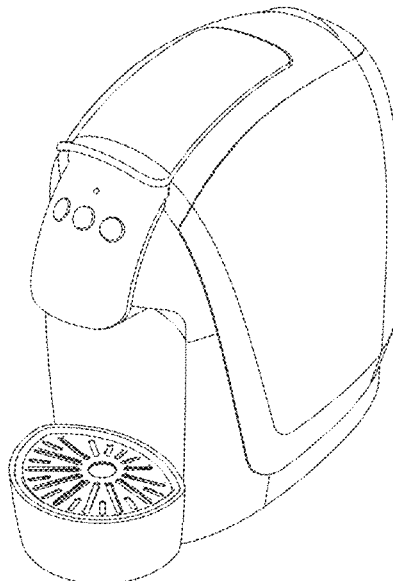
(57) **CLAIM**

The ornamental design for a beverage machine, as shown and described.

DESCRIPTION

- FIG. 1 is a top, front, right side perspective view of the beverage machine of our new design;
- FIG. 2 is a front elevation view thereof;
- FIG. 3 is a back elevation view thereof;
- FIG. 4 is a right side view thereof;
- FIG. 5 is left side view thereof;
- FIG. 6 is top view thereof; and,
- FIG. 7 is a bottom view thereof.

1 Claim, 7 Drawing Sheets



(56)

References Cited

U.S. PATENT DOCUMENTS

D954,483 S * 6/2022 Regamey D7/311
D968,864 S * 11/2022 Seidl D7/311

* cited by examiner

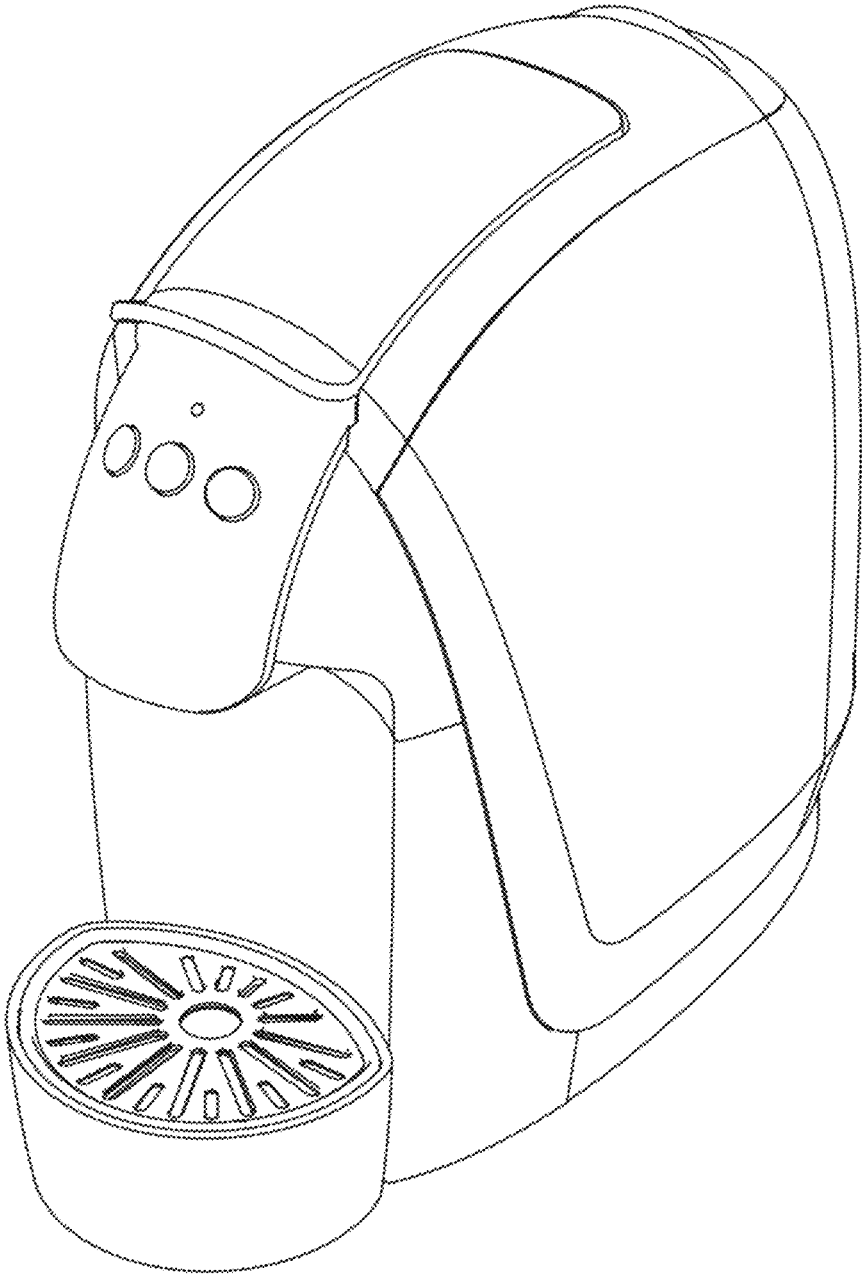


Fig. 1

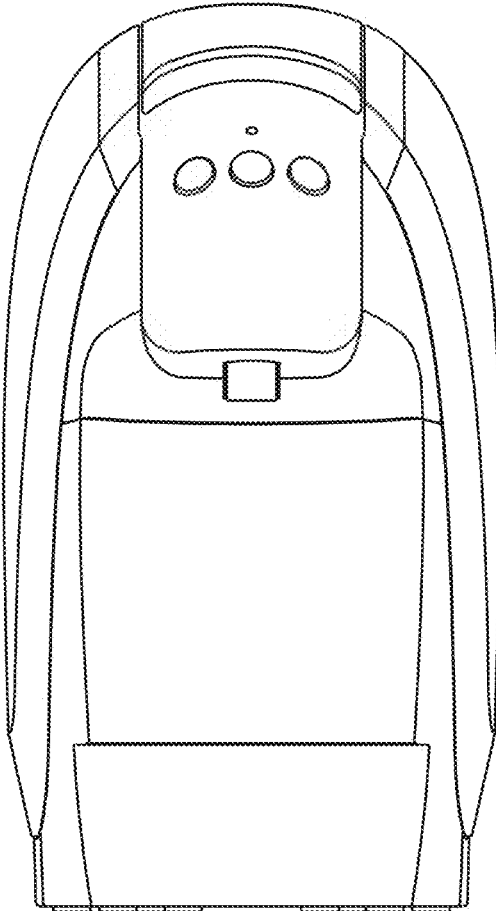


Fig. 2

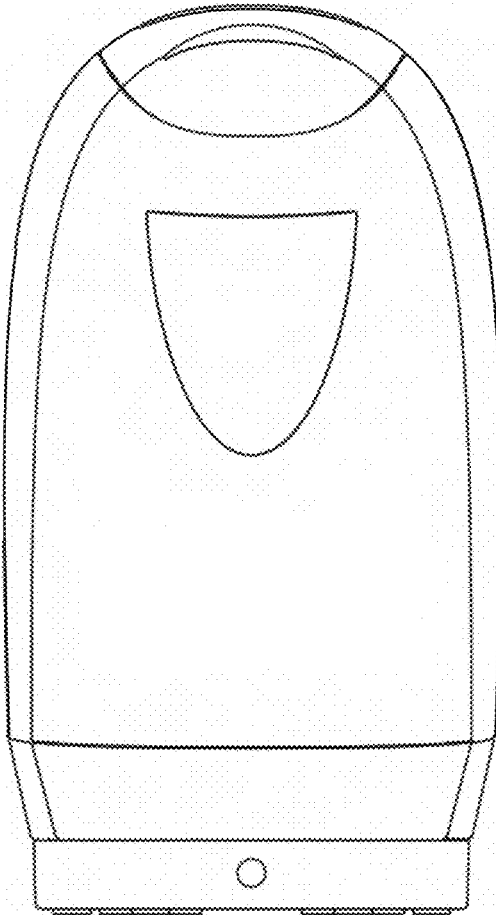


Fig. 3

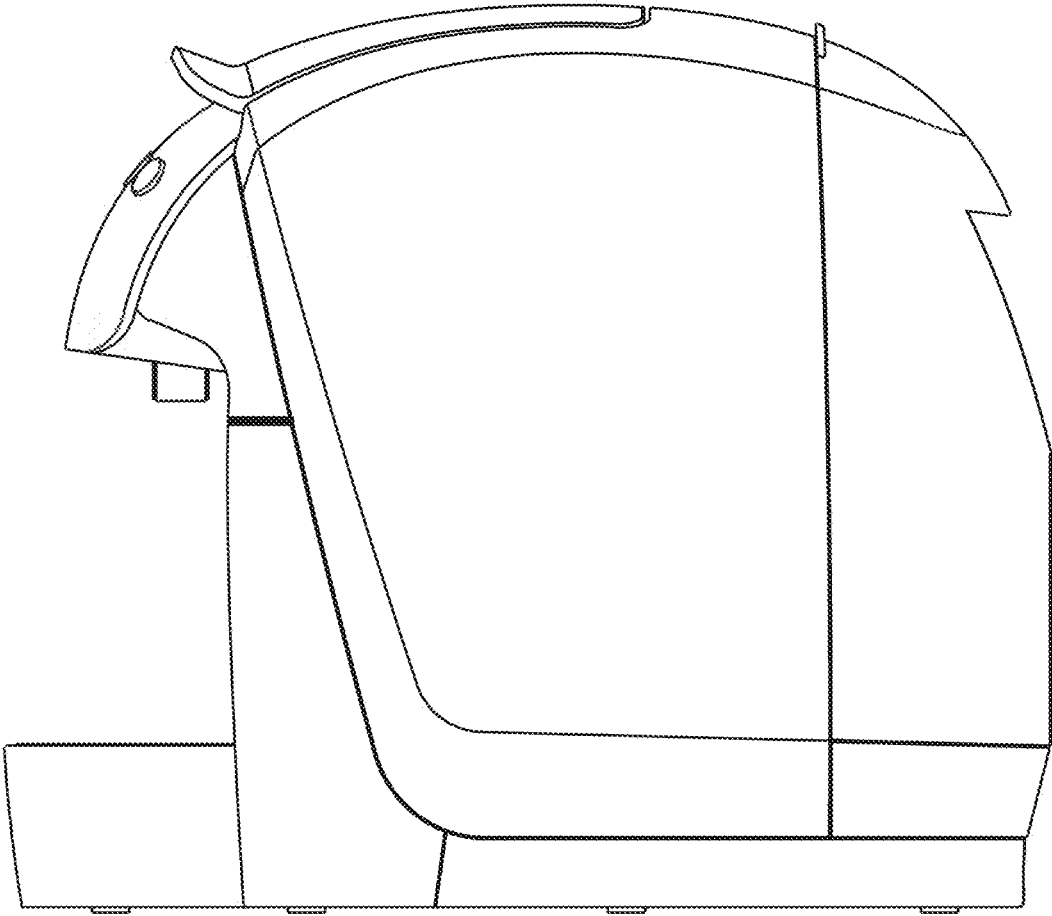


Fig. 4

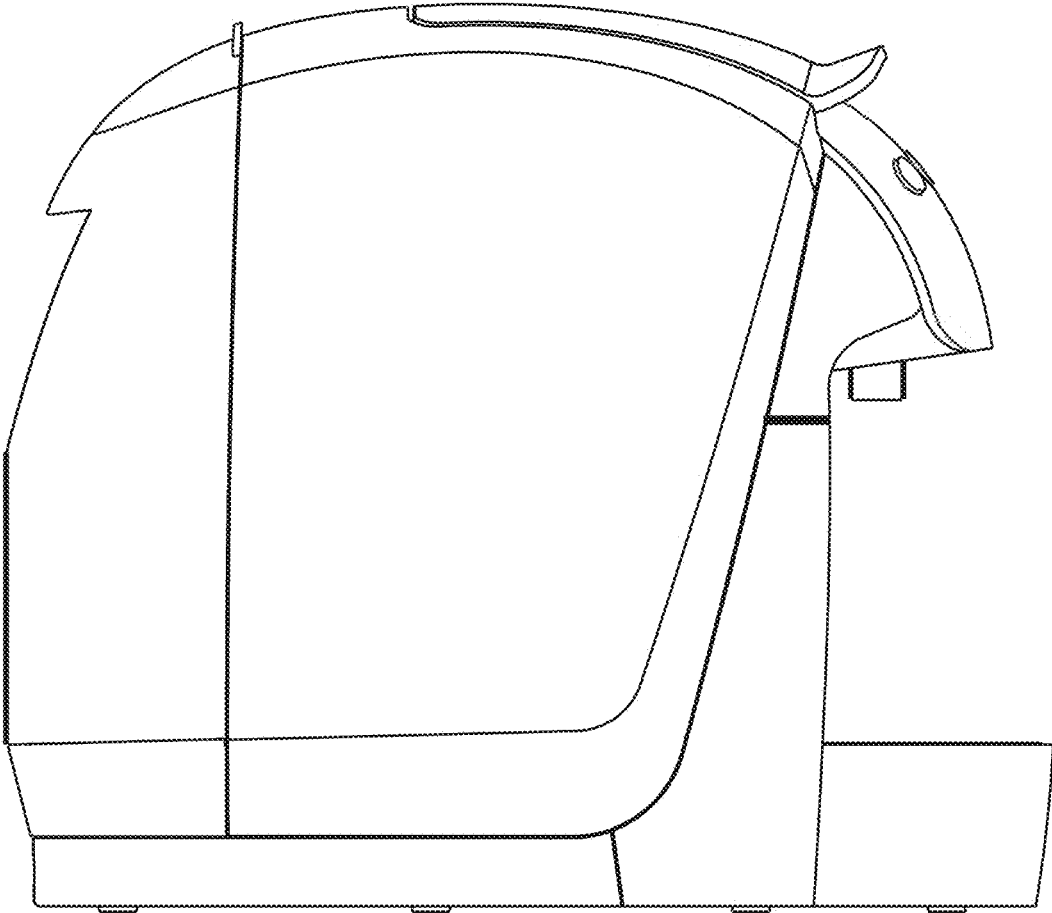


Fig. 5

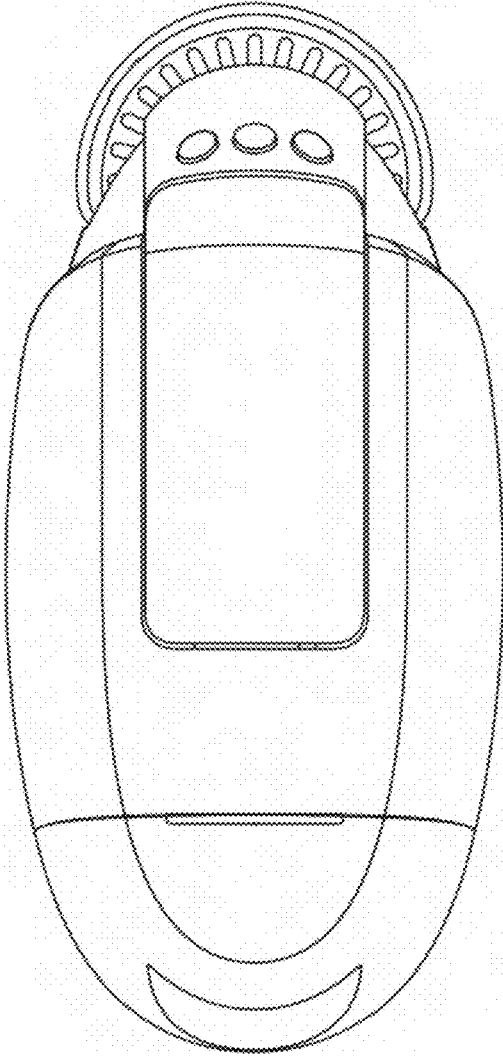


Fig. 6

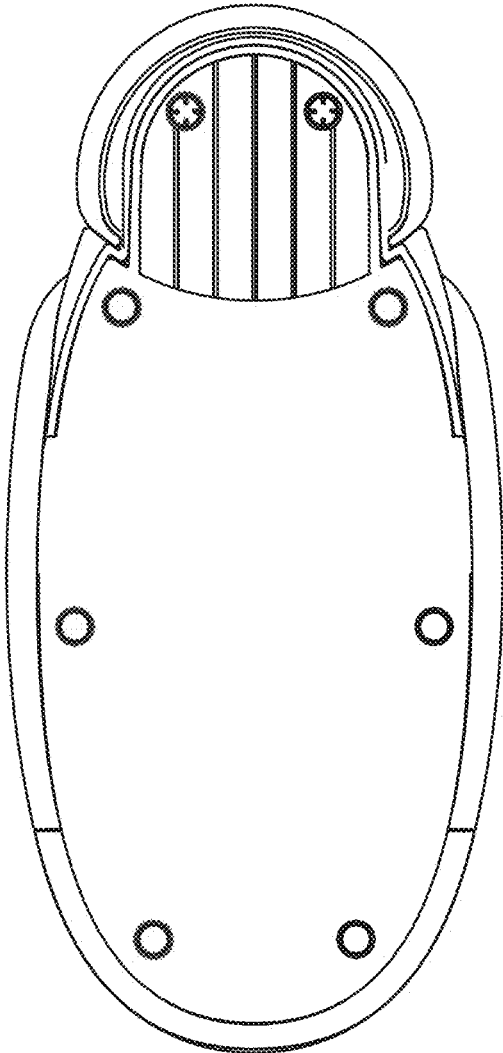


Fig. 7