



(43) International Publication Date
6 September 2013 (06.09.2013)

- (51) International Patent Classification:
E06B 9/388 (2006.01) *E06B 9/382* (2006.01)
- (21) International Application Number:
PCT/NL2013/000011
- (22) International Filing Date:
27 February 2013 (27.02.2013)
- (25) Filing Language: English
- (26) Publication Language: English
- (30) Priority Data:
2008370 28 February 2012 (28.02.2012) NL
- (71) Applicant: HUNTER DOUGLAS INDUSTRIES B.V.
[—/NL]; Piekstraat 2, NL-3071 EI Rotterdam (NL).
- (72) Inventor: FRANSSEN, Johannes Robertus Maria; Piek-
straat 2, NL-3071 EL Rotterdam (NL).
- (81) Designated States (unless otherwise indicated, for every
kind of national protection available): AE, AG, AL, AM,
AO, AT, AU, AZ, BA, BB, BG, BH, BN, BR, BW, BY,
BZ, CA, CH, CL, CN, CO, CR, CU, CZ, DE, DK, DM,
DO, DZ, EC, EE, EG, ES, FI, GB, GD, GE, GH, GM, GT,

HN, HR, HU, ID, IL, IN, IS, JP, KE, KG, KM, KN, KP,
KR, KZ, LA, LC, LK, LR, LS, LT, LU, LY, MA, MD,
ME, MG, MK, MN, MW, MX, MY, MZ, NA, NG, NI,
NO, NZ, OM, PA, PE, PG, PH, PL, PT, QA, RO, RS, RU,
RW, SC, SD, SE, SG, SK, SL, SM, ST, SV, SY, TH, TJ,
TM, TN, TR, TT, TZ, UA, UG, US, UZ, VC, VN, ZA,
ZM, ZW.

(84) Designated States (unless otherwise indicated, for every
kind of regional protection available): ARIPO (BW, GH,
GM, KE, LR, LS, MW, MZ, NA, RW, SD, SL, SZ, TZ,
UG, ZM, ZW), Eurasian (AM, AZ, BY, KG, KZ, RU, TJ,
TM), European (AL, AT, BE, BG, CH, CY, CZ, DE, DK,
EE, ES, FI, FR, GB, GR, HR, HU, IE, IS, IT, LT, LU, LV,
MC, MK, MT, NL, NO, PL, PT, RO, RS, SE, SI, SK, SM,
TR), OAPI (BF, BJ, CF, CG, CI, CM, GA, GN, GQ, GW,
ML, MR, NE, SN, TD, TG).

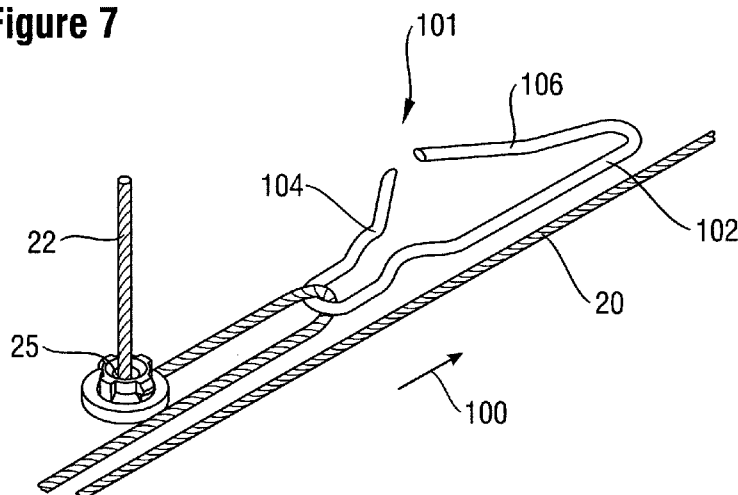
Published:

— with international search report (Art. 21(3))

(88) Date of publication of the international search report:
5 December 2013

(54) Title: A RETRACTABLE COVERING

Figure 7



(57) Abstract: A retractable covering such as a door or window blind or shade has a top rail, a bottom rail, a covering material extending between the top rail and the bottom rail, at least two lift cords extending downwardly from the head rail to the bottom rail for supporting the bottom rail, a covering operating system for enabling retraction and deployment of the covering, and an adjuster connected to at least two of the lift cords. The adjuster is preferably mounted in the bottom rail. The retractable covering also comprises an individual cord tensioner (101) for allowing at least one of the lift cords (22) to be individually tensioned. The individual cord tensioner (101) operates independently of the adjuster. A method of adjusting the orientation and drop height of the bottom rail of the retractable covering is also provided.

INTERNATIONAL SEARCH REPORT

International application No
PCT/NL2013/000011

A. CLASSIFICATION OF SUBJECT MATTER
INV. E06B9/388 E06B9/382
ADD.
According to International Patent Classification (IPC) or to both national classification and IPC

B. FIELDS SEARCHED
Minimum documentation searched (classification system followed by classification symbols)
E06B
Documentation searched other than minimum documentation to the extent that such documents are included in the fields searched

Electronic data base consulted during the international search (name of data base and, where practicable, search terms used)
EPO-Internal, WPI Data

C. DOCUMENTS CONSIDERED TO BE RELEVANT		
Category*	Citation of document, with indication, where appropriate, of the relevant passages	Relevant to claim No.
A	EP 0 892 144 A2 (HUNTER DOUGLAS IND BV [NL]) 20 January 1999 (1999-01-20) cited in the application the whole document	1,12
A	US 6 085 823 A (OSKAM HERMAN [NL]) 11 July 2000 (2000-07-11) abstract; figure 6	1,12

Further documents are listed in the continuation of Box C.

See patent family annex.

- * Special categories of cited documents :
- "A" document defining the general state of the art which is not considered to be of particular relevance
 - "E" earlier application or patent but published on or after the international filing date
 - "L" document which may throw doubts on priority claim(s) or which is cited to establish the publication date of another citation or other special reason (as specified)
 - "O" document referring to an oral disclosure, use, exhibition or other means
 - "P" document published prior to the international filing date but later than the priority date claimed
 - "T" later document published after the international filing date or priority date and not in conflict with the application but cited to understand the principle or theory underlying the invention
 - "X" document of particular relevance; the claimed invention cannot be considered novel or cannot be considered to involve an inventive step when the document is taken alone
 - "Y" document of particular relevance; the claimed invention cannot be considered to involve an inventive step when the document is combined with one or more other such documents, such combination being obvious to a person skilled in the art
 - "&" document member of the same patent family

Date of the actual completion of the international search 31 May 2013	Date of mailing of the international search report 11/06/2013
---	---

Name and mailing address of the ISA/ European Patent Office, P.B. 5818 Patentlaan 2 NL - 2280 HV Rijswijk Tel. (+31-70) 340-2040, Fax: (+31-70) 340-3016	Authorized officer Peschel, Gerhard
--	---

INTERNATIONAL SEARCH REPORT

Information on patent family members

International application No

PCT/NL2013/000011

Patent document cited in search report	Publication date	Patent family member(s)	Publication date
EP 0892144	A2	20-01-1999	NONE

US 6085823	A	11-07-2000	CA 2229954 A1 19-08-1998
		DE 69805233 D1	13-06-2002
		DE 69805233 T2	14-11-2002
		JP H112082 A	06-01-1999
		JP 4005689 B2	07-11-2007
		US 6085823 A	11-07-2000
